

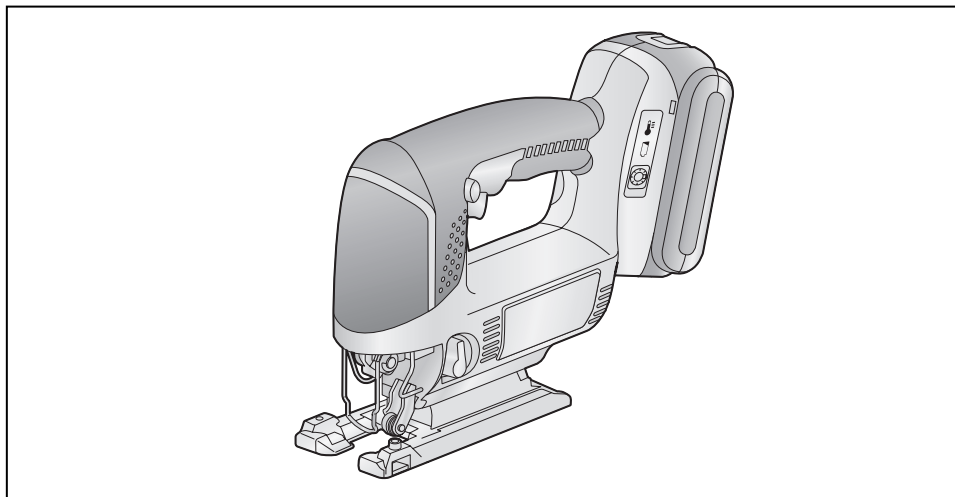
Operating Instructions
Bedienungsanleitung
Instructions d'utilisation
Istruzioni per l'uso
Gebruiksaanwijzing
Manual de instrucciones
Brugsvejledning
Driftsföreskrifter
Bruksanvisning
Käyttöohjeet
Инструкция по эксплуатации
Інструкція з експлуатації

Panasonic

Cordless Jigsaw
Kabellose Stichsäge
Meule d'angle sans fil
Seghetto senza filo
Snoerloze decoupeerzaag
Sierra inalámbrica
Akku-dekupørsav
Sladdlös sticksåg
Oppladbar Stikksag
Ladattava pistosaha

Лобзик с аккумуляторным питанием
Лобзик з батарейним блоком

Model No: EY4541



Before operating this unit, please read these instructions completely and save this manual for future use.

Vor Inbetriebnahme des Gerätes die Betriebsanleitung bitte gründlich durchlesen und diese Broschüre zum späteren Nachschlagen sorgfältig aufbewahren.

Lire entièrement les instructions suivantes avant de faire fonctionner l'appareil et conserver ce mode d'emploi à des fins de consultation ultérieure.

Prima di usare questa unità, leggere completamente queste istruzioni e conservare il manuale per usi futuri.

Lees deze gebruiksaanwijzing aandachtig door voor u het apparaat in gebruik neemt en bewaar de gebruiksaanwijzing voor eventuele naslag.

Antes de usar este aparato por primera vez, lea todas las instrucciones de este manual y guarde el manual para poderlo consultar en el futuro.

Gennemlæs denne betjeningsvejledning før brugen og gem den til fremtidig brug.

Läs igenom hela bruksanvisningen innan verktyget tas i bruk. Spara bruksanvisningen för senare användning.

Før enheten tas i bruk, vennligst les disse alle anvisningene og oppbevar deretter bruksanvisningen for senere bruk.

Lue ohjeet huolella ennen laitteen käyttöönottoa ja säilytä nämä käyttöohjeet tallessa tulevaa tarvetta varten.

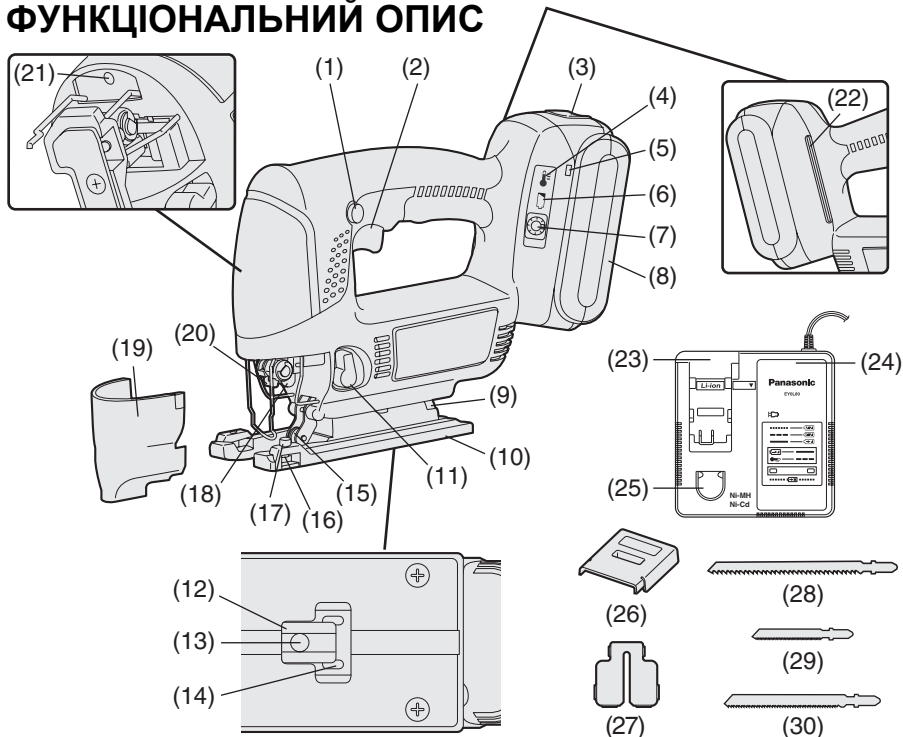
Перед эксплуатацией данного устройства, пожалуйста, полностью прочтите данную инструкцию и сохраните данное руководство для использования в будущем..

Перед експлуатацією даного пристрою, будь ласка, повністю прочитайте дану інструкцію і збережіть даний посібник для використання у майбутньому.

**Index/Index/Index/Indice/Index/Indice/Indeks/Index/Indeks/Hakemisto/
Индекс/Индекс**

English:	Page	6	Dansk:	Side	91
Deutsch:	Seite	21	Svenska:	Sid	105
Français:	Page	35	Norsk:	Side	119
Italiano:	Pagina	49	Suomi:	Sivu	133
Nederlands:	Bladzijde	63	Русский:	Страница	147
Español:	Página	77	Українська:	Сторінка	161

**FUNCTIONAL DESCRIPTION
FUNKTIONSBESCHREIBUNG
DESCRIPTION DES FONCTIONS
DESCRIZIONE DELLE FUNZIONI
FUNCTIEBESCHRIJVING
DESCRIPCIÓN FUNCIONAL
FUNKTIONSBESKRIVELSE
FUNKTIONSBESKRIVNING
FUNKSJONSBESKRIVELSE
TOIMINTOKUVAUS
ФУНКЦИОНАЛЬНОЕ ОПИСАНИЕ
ФУНКЦІОНАЛЬНИЙ ОПИС**



(1)	<p>Switch lock lever Schalterverriegelungshebel Lever de verrouillage d'interrupteur Levetta di blocco interruttore Schakelaarblokkeertoets Palanca de bloqueo del interruptor Låsehåndtag Strömbrytarspär Låsespake for bryteren Käyttökytkimen lukitusvipu Рычаг блокиратора выключателя Блокатор вимикача</p>	(2)	<p>Power switch Netzschalter Interrupteur d'alimentation Interruttore di accensione Hoofdschakelaar Interruptor de alimentación Afbrøder Strömbrytare Strømbryter Käyttökytkin Переключатель питания Перемикач живлення</p>	(3)	<p>Battery pack release button Akku-Entriegelungsknopf Bouton de libération de batterie autonome Tasto di rilascio pacco batteria Accu-ontgrendeltoets Botón de liberación de batería Udløserknop til batteripakning Frigöringsknapp för batteri Utløserknapp for batteripakke Akkupaketin irrotuspainike Кнопка освобождения батарейного блока Кнопка вивільнення батарейного блоку</p>
(4)	<p>Overheat warning lamp (battery) Überhitzungs-Warnlampe (Akku) Témoin d'avertissement de surchauffe (batterie) Spia avvertenza surriscaldamento (batteria) Oververhitting-waarschuwingslampje (accu) Luz de advertencia de sobrecalentamiento (batería) Advarselsslamp til overopphedning (batteri) Varningslampa för överhettning (batteri) Varsellampe for overoppheting (batteri) Ylikuumenemisen varoitusslamppu (akku) Предупреждающая лампочка перегрева (батареи) Попереджувальна лампочка перегріву (батареї)</p>	(5)	<p>Alignment mark Ausrichtmarkierung Marque d'alignement Marcatura di allineamento Uitlijntekens Marca de alineación Flugtemærke Anpassningsmärke Innrettingsmerke Sovitusmerkki Метки совмещения Юстувальні мітки</p>	(6)	<p>Battery low warning lamp Akkuladungs-Warnlampe Témoin d'avertissement de batterie basse Spia avvertenza batteria scarica Waarschuwingslampje voor lage accuspanning Luz de aviso de baja carga de batería Advarselsslampes batterieffekt lav Varningslampa för svagt batteri Varsellampe for at batteriet er for lavt Alhaisen akkujännitteen varoitusslamppu Предупреждающая лампочка низкого заряда батареи Попереджувальна лампочка низького заряду батареї</p>
(7)	<p>LED light on / off button LED-Leuchten-EIN/AUS-Taste Bouton Marche/Arrêt de la lumière DEL Tasto di accensione e spegnimento della luce LED Aan/uit-toets (ON/OFF) voor LED-lampje Botón ON/OFF de luz LED TÆND/SLUK-knop til LED-lys Strömbrytare för LED-ljus PÅ/AV-knapp for LED-lys LED-valon kytkin/katkaisupainike Кнопка включения/выключения светодиодной подсветки Кнопка ввімкнення/вимкнення світлодіодного підсвічування</p>	(8)	<p>Battery pack (EY9L40/EY9L41) Akku (EY9L40/EY9L41) Batterie autonome (EY9L40/EY9L41) Pacco batteria (EY9L40/EY9L41) Accu (EY9L40/EY9L41) Batería (EY9L40/EY9L41) Batteripakning (EY9L40/EY9L41) Batteri (EY9L40/EY9L41) Batteripakke (EY9L40/EY9L41) Akku (EY9L40/EY9L41) Батарейный блок (EY9L40/EY9L41) Батарейний блок (EY9L40/EY9L41)</p>	(9)	<p>Bevel index Schrägeindex Index de chanfrein Scala sfalsatura Schiunte-index Índice de bisel Smigvinkelindeks Lutningsindex Skråindeks Kallistusasteikko Градуированная шкала Градуирована шкала</p>
(10)	<p>Base Unterteil Base Base Voetplaat Base Underdel Bas Sokkel Pöytä Опора Опора</p>	(11)	<p>Orbital selector lever Pendelhubbel Lever du sélecteur orbital Leva selettore orbita Pendelslagkeuzehendel Palanca de selector orbital Omløbsvælgerarm Pendelväljarspak Pendelvelgerspak Pendeli Ручка выбора режима маятникового хода Рукоятка вибору режиму маятникового руху</p>	(12)	<p>Fixing bracket Halterung Support de fixation Staffa di fissaggio Bevestigingssteun Soporte de fijación Holderanordning Hållare Festbrakett Repimissuoja Крепежная скоба Кріпильна дужка</p>

(13)	<p>Base fixing screw Unterteilschraube Vis de fixation de la base Vite di fissaggio base Voetplaatbevestigingsschroef Tornillo de fijación de base Underdelsskrue Basskruv Sokkelfesteskrue Pöydän kiinnitysruuvi Винт крепежной скобы Гвинт кріпильної дужки</p>	(14)	<p>Base adjustment hole Unterteileinstelloch Orifice d'ajustement de la base Foro di regolazione base Voetplaatafstelgat Orificio de ajuste de base Underdelsindstillingshul Basjusteringshål Sokkeljusteringshull Pöydän säätöaukko Регулировочное отверстие опоры Регулювальний отвір опори</p>	(15)	<p>Roller guide Rollenführung Guidage à rouleau Guida rullo Güida rullo Rolgeleider Guía de rodillo Rulleguide Rullstyrning Rulleføring Terän tukirulla Направляющий ролик Роликовий напрямник</p>
(16)	<p>Rip fence mount Parallelanschlagbefestigung Montant du guide à refendre Attacco guida parallela Parallelaanslagbevestiging Montaje de alineador de aserrado Parallelanslagsbefæstelse Parallellanslagsfæste Parallellanslagsmontasje Reunaohjaimen asennusaukko Зажим направляющей планки Кріплення напрямної листви</p>	(17)	<p>Rip fence fixing screw Parallelanschlagschraube Vis de fixation du guide à refendre Vite di fissaggio guida parallela Parallelaanslagbevestigingsschroef Tornillo de fijación de alineador de aserrado Parallelanslagsskrue Parallellanslagsskruv Parallellanslagfesteskrue Reunaohjaimen kiinnitysruuvi Винт зажима направляющей планки Кріпильний гвинт напрямної листви</p>	(18)	<p>Blade clamp bracket Sägeblatthalterung Support de blocage de lame Staffa a morsetto lama Zaagbladklemsteun Soporte de abrazadera de cuchilla Savbladsholder Sågbladshållare Bladklemmebrakett Avaimeton terän kiinnitys Зажим пилки Кріплення полотна</p>
(19)	<p>Dust cover Staubabdeckung Protection anti-poussières Copertura antipolvere Stofkap Cubierta anti-polvo Støvafdækning Dammskydd Støvdeksel Pölykansi Пылезащитная крышка Кришка проти запилення</p>	(20)	<p>Blade Attach/Remove lever Hebel zum Feststellen bzw. Entfernen des Sägeblatts Lever de fixation/retrait de lame Leva attacco/rimozione lama Hendel voor bevestigen/verwijderen van zaagblad Palanca de conexión / remoción de cuchilla Arm til montering/afmontring af savblad Spak för fastsättning/borttagning av sågblad Spak for feste/fjerning av blad Terän kiinnitys/irrotusvipu Рычаг установки/снятия пилки Рухлятка встановлення/зняття полотна</p>	(21)	<p>LED light LED-Leuchte Lumière DEL Luce LED LED-lampje Luz indicadora LED-lys LED-ljus LED-lys LED-valo Светодиодная подсветка Світлодіодне підсвічування</p>
(22)	<p>Hex wrench Sechskantschlüssel Clé hexagonale Chiave esagonale Zeskantsleutel Llave hexagonal Fastnøgle Insexnyckel Sekskantnøkkel Kuusioavain Шестигранный ключ Шестигранный ключ</p>	(23)	<p>Li-ion battery pack dock Li-Ion-Akkuladeschacht Poste d'accueil de la batterie autonome Li-ion Spazio raccordo pacco batteria Li-ion Li-ion accouhouder Enchufe de carga de batería Li-ión Li-ion batteripakningsdok Docka för litiumjonbatteri Dokk for Li-ion-batteripakke Li-ioniakun latauspesä Углубление для установки литий-ионного батарейного блока Заглиблення для встановлення літій-іонного батарейного блоку</p>	(24)	<p>Battery charger (EY0L80) Ladegerät (EY0L80) Chargeur de batterie (EY0L80) Caricabatterie (EY0L80) Acculader (EY0L80) Cargador de batería (EY0L80) Batterioplader (EY0L80) Batteriladdare (EY0L80) Batterilader (EY0L80) Akkulaturi (EY0L80) Зарядное устройство (EY0L80) Зарядний пристрій (EY0L80)</p>

(25)	<p>Ni-MH/Ni-Cd battery pack dock Ni-MH/Ni-Cd-Akkuladeschacht Poste d'accueil de la batterie autonome Ni-MH/Ni-Cd Spazio raccordo pacco batteria Ni-MH/Ni-Cd Ni-MH/Ni-Cd accouhouder Enchufe de carga de batería Ni-MH/Ni-Cd Ni-MH/Ni-Cd batteripakningsdok Docka för NiMH/NiCd-batteri Dokk for Ni-MH/Ni-Cd-batteripakke Ni-MH/Ni-Cd akun liitin Углубление для установки никель-металлогидридного батарейного блока/ никель-кадмиевого батарейного блока Заглиблення для встановлення нікель-метал-гідридного батарейного блоку/ нікель-кадмієвого батарейного блоку</p>	(26)	<p>Battery pack cover Akkuabdeckung Couvercle de la batterie autonome Coperchio batteria Accudeksel Cubierta de la batería Akkuafdækning Batteriskydd Batteripakkedeksel Akun liitinsuoja Крышка аккумуляторного блока Кришка батарейного блоку</p>	(27)	<p>Anti-splintering plate Anti-Splintering-Platte Plaque anti-éclat Piastra antischegge Anti-splinterplaat Placa anti-astillado Anti-splintringsplade Antisplintringsplatta Anti-splinteplate Repimissuoja Антирасщепительное устройство Пристрій проти розщеплювання</p>
(28)	<p>Wood blade (EY9SXWJOE) Holzsägeblatt (EY9SXWJOE) Lame à bois (EY9SXWJOE) Lama per legno (EY9SXWJOE) Houtzaagblad (EY9SXWJOE) Cuchilla de madera (EY9SXWJOE) Træsavblad (EY9SXWJOE) Träsågblad (EY9SXWJOE) Treblad (EY9SXWJOE) Puuterä (EY9SXWJOE) Пилка для дерева (EY9SXWJOE) Полотно по деревині (EY9SXWJOE)</p>	(29)	<p>Metal blade (EY9SXMJOE) Metallsägeblatt (EY9SXMJOE) Lame à métal (EY9SXMJOE) Lama per metallo (EY9SXMJOE) Metaalzaagblad (EY9SXMJOE) Cuchilla de metal (EY9SXMJOE) Metalsavblad (EY9SXMJOE) Metallsågblad (EY9SXWJOE) Metallblad (EY9SXMJOE) Metalliterä (EY9SXMJOE) Пилка для металла (EY9SXMJOE) Полотно по металлу (EY9SXMJOE)</p>	(30)	<p>Drywall blade (EY9SXXJOE) Gipsplattensägeblatt (EY9SXXJOE) Lame à cloison sèche (EY9SXXJOE) Lama per cartongesso (EY9SXXJOE) Gipsplaatzaagblad (EY9SXXJOE) Cuchilla de pared de yeso (EY9SXXJOE) Tørmurblad (EY9SXXJOE) Sågblad för gips (EY9SXWJOE) Gipsplateblad (EY9SXXJOE) Kipsilevyterä (EY9SXXJOE) Пилка для гипсокартона (EY9SXXJOE) Полотно для гіпсокартону (EY9SXXJOE)</p>

I. INTENDED USE



Thank you for purchasing the Panasonic Jigsaw. This jigsaw can be used with Panasonic rechargeable batteries to provide excellent cutting performance. The jigsaw is for cutting metal, wood, and drywall only.

Read the "Safety Instructions" booklet and the following before using.

II. ADDITIONAL SAFETY RULES

- 1) **Hold tool by insulated gripping surfaces when performing an operation where the cutting tool may contact hidden wiring.** Contact with a "live" wire will also make exposed metal parts of the tool "live" and shock the operator.
- 2) **Use clamps or another practical way to secure and support the workpiece to a stable platform.** Holding the work by hand or against your body leaves it unstable and may lead to loss of control.
- 3) **Keep hands away from cutting area and blade. Keep your insulated gripping surfaces.** If both hands are holding the tool, they cannot be cut by the blade.
- 4) **Never hold piece being cut in your hands or across your leg.** It is important to support the work properly to minimize body exposure or loss of control.
- 5) **Be aware that this tool is always in an operating condition, since it does not have to be plugged into an electrical outlet.**
- 6) **Always use safety goggles or glasses with side shields. Ordinary eye or sun glasses are NOT safety glasses.**
- 7) **When this tool is used for woodworking in confined areas (e.g. indoors), wear dust mask.**
- 8) **Avoid cutting nails. Inspect workpiece for any nails and remove them before operation.**

- 9) **Do not cut oversized workpiece.**
- 10) **Check for the proper clearance beyond the workpiece before cutting so that the blade will not strike the floor, workbench, etc.**
- 11) **Hold the tool firmly.**
- 12) **Make sure the blade is not contacting the workpiece before the switch is turned on.**
- 13) **Keep hands away from moving parts.**
- 14) **Do not touch the blade or workpiece immediately after operation; they may be extremely hot and could burn your skin.**
- 15) **Never swing tool.**
- 16) **Do not use blades which are deformed or cracked.**
- 17) **Do not use blades which do not comply with the characteristics specified in these instructions.**
- 18) **Remove the battery pack from the tool body before replacement of the blade, making adjustments, or other maintenance work.**
- 19) **Wear ear protectors when using the tool for extended periods.**

Symbol	Meaning
V	Volts
---	Direct current
n ₀	No load speed
...min ⁻¹	Revolutions or reciprocations per minutes
Ah	Electrical capacity of battery pack
	To reduce the risk of injury, user must read and understand instruction manual.
	For indoor use only.

⚠ WARNING:

- Do not use other than the Panasonic battery packs that are designed for use with this rechargeable tool.
- Do not dispose of the battery pack in a fire, or expose it to excessive heat.
- Do not drive the likes of nails into the battery pack, subject it to shocks, dismantle it, or attempt to modify it.
- Do not allow metal objects to touch the battery pack terminals.
- Do not carry or store the battery pack in the same container as nails or similar metal objects.
- Do not charge the battery pack in a high-temperature location, such as next to a fire or in direct sunlight. Otherwise, the battery may over-heat, catch fire, or explode.
- Never use other than the dedicated charger to charge the battery pack. Otherwise, the battery may leak, overheat, or explode.
- After removing the battery pack from the tool or the charger, always reattach the pack cover. Otherwise, the battery contacts could be shorted, leading to a risk of fire.

III. ASSEMBLY

⚠ WARNING:

To reduce the risk of injury, always remove battery pack before changing the blade.

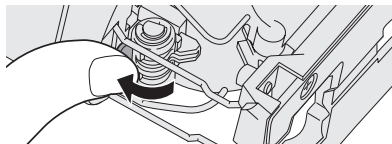
Inspection before use

- Has the correct jigsaw blade been attached for the object to be cut?
- Has the correct stem shape and thickness of the blade been mounted?
- Check if the blade is fixed securely?
- Check if the blade is cracked or broken.
- Check that there are no foreign objects in the object to be cut.

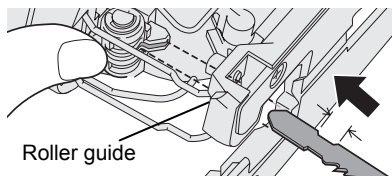
Installing and removing the blade

Installation

1. Wipe away any cutting dust from the blade and the blade clamp bracket.
2. Lift up the blade Attach/Remove lever.



3. Insert the blade into the blade clamp bracket and set the back of the blade along the roller guide so that the back of the jigsaw blade slides along the roller guide.



4. Release the blade Attach/Remove lever.

- When the blade is secured in place then lever will return to its original position.
- Check that the back of blade is setting in the groove in the roller guide.

⚠ WARNING:

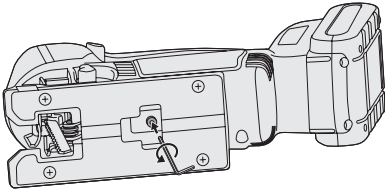
If you do not insert the saw blade deep enough, the saw blade may be ejected unexpectedly during operation. This can be extremely dangerous.

Removal

1. Lift up the blade Attach/Remove lever.
2. Pull out the blade.

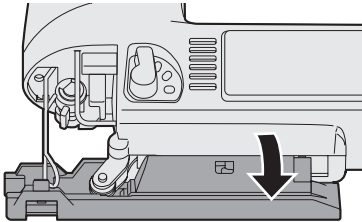
Adjusting the base

1. Use the hex wrench to loosen the base fixing screw.



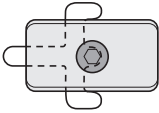
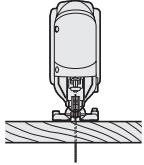
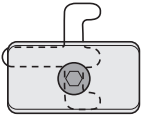
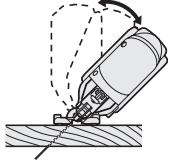
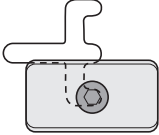
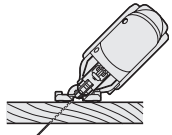
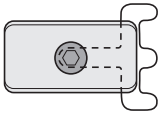
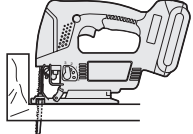
2. Move the base along the base adjustment hole to set its position. (See the diagram at right.)

- The base can be adjusted to between 0° and 45° sideways and the forward/back position can also be adjusted. If tilting the base sideways, remove the dust cover first.
- Refer to the bevel index to determine the angle.
- Rip fence fixing screw should be located on the opposite side tool is beveled.



3. Use the hex wrench to tighten the base fixing screw.

Position of base and purpose of use

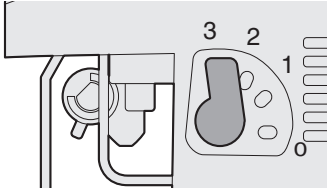
Base adjustment hole position	Purpose of use
	Normal right-angled cutting 
	Cutting at an angle between 0° and 45° 
	Cutting at an angle of 45° 
	Cutting close to the end of a wall 

NOTE:

This is only a rough guide. The actual angle of the cut will be affected by factors such as the way the tool is held against the surface.

Adjusting the orbital stroke mode

- Adjust the orbital stroke mode to the object to be cut.



Lever position	Blade movement	Main applications
0	<p>Vertical only</p>	<ul style="list-style-type: none"> Cutting hard metals such as steel Smooth cutting of building materials and plywood boards Cutting around small curves
1	<p>Low orbital stroke mode</p>	<ul style="list-style-type: none"> Cutting softer metals such as aluminum and other non-ferrous metals Cutting hardwood, plywood boards and plastics
2	<p>Medium orbital stroke mode</p>	<ul style="list-style-type: none"> Cutting fairly soft materials Cutting wood and composite boards High-speed cutting of aluminum and soft steel
3	<p>High orbital stroke mode</p>	<ul style="list-style-type: none"> Cutting soft materials High-speed cutting of materials such as wood, composite boards and plastics

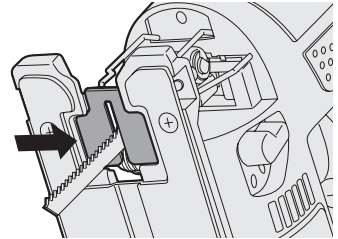
- If you would like to produce a cleaner finish, set the orbital stroke mode to a lower level.

Anti-splintering plate

Use the anti-splintering plate to reducing splinter while cutting wood.

Installation

- Set the base at 90 degree position.
- Place the anti-splintering plate on the underside of the base, and gently push it to be installed.
 - Install so that the beveled edge of the slot in the middle of the anti-splintering plate is facing toward the jigsaw.

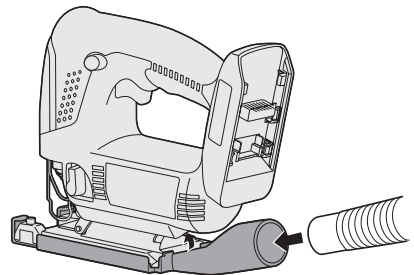


Dust adapter for vacuum cleaner (EY9H009E) (Available as an accessory, not included)

You can use a vacuum cleaner to collect cutting dust while cutting.

Installation

- Attach the hook of the dust collection adapter to the front of the base.
- Snap the rear to install it.
- Attach the hose of the vacuum cleaner.



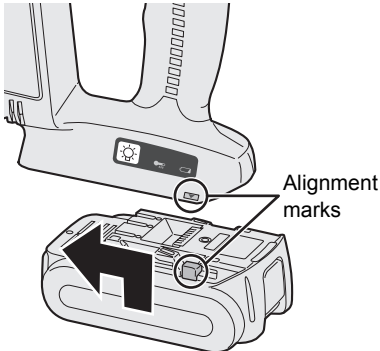
- It is recommended to use a dust adapter for reducing the risk of damaging the surface of the object being cut.

Attaching or Removing Battery Pack

1. To connect the battery pack:

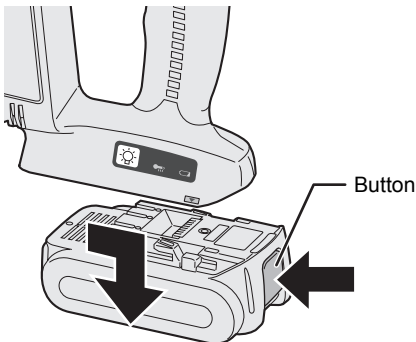
Line up the alignment marks and attach the battery pack.

- Slide the battery pack until it locks into position.



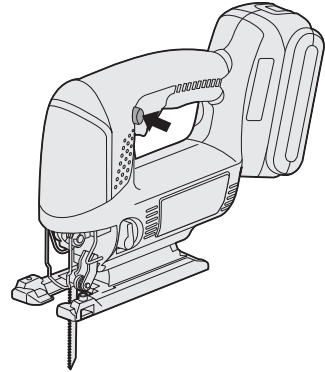
2. To remove the battery pack:

Push on the button from the front to release the battery pack.



IV. OPERATION

1. Push the switch lock lever down, pull the power switch.
 - The speed increases with the amount of depression of the power switch.



2. Once cutting is finished, release the power switch.
3. Check that the temperature of the blade has dropped sufficiently, and then remove the blade.

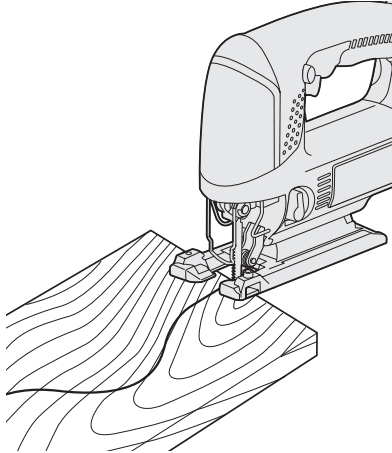
Cutting

NOTE:

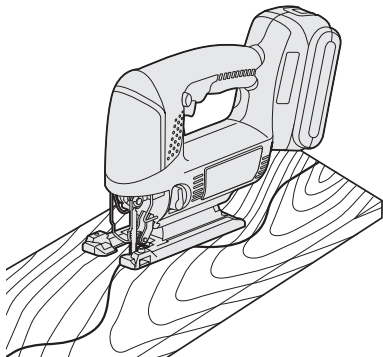
- Check that there are no obstacles to cut underneath workpiece.
- Check that there are no objects such as nails in the material to be cut. If the blade comes into contact with any such objects during cutting, a strong reaction force will be generated and severe injury may occur.
- Do not place your hand on the object in the direction cutting is to take place. If this is not observed, there is a risk of injury.
- Do not touch the jigsaw blade immediately after cutting. If this is not observed, burns may occur.

Cutting along marked lines

1. Place the object to be cut onto the base, and align the blade with the marked line.
 - Do not touch the blade against the object to be cut before pulling the power switch.

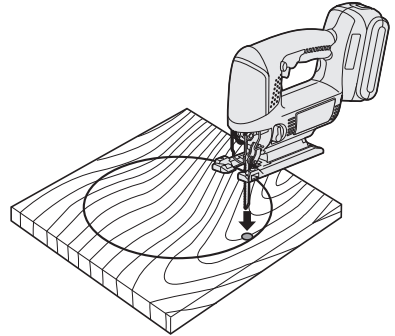


2. Pull the power switch, wait until the speed has stabilized, and then place the base against the object to be cut and cut along the marked lines.
 - When cutting complex shapes such as shapes with many small curves, reduce the cutting speed and the turning speed.



Plunge cutting

1. Make a drill hole in the section to be plunge cut in order to let the blade pass through.
2. Insert the blade into a hole without touching the workpiece, and then turn on the power switch.



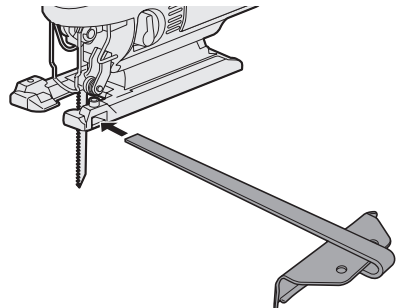
3. Cut along the marked line.

Using a rip fence (EY9X011E) (Available as an accessory, not included)

A rip fence can be used for cutting parallel lines and for cutting circles and arcs.

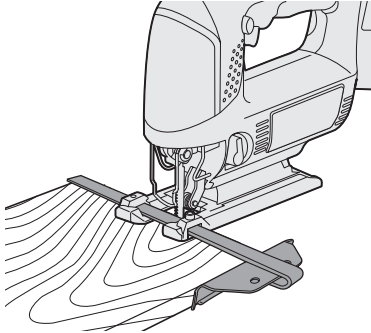
Installing the rip fence

1. Loosen the rip fence fixing screw.
2. Pass the rip fence through the mount.
3. Adjust the cutting position and then tighten the fixing screw.



Cutting at the same width

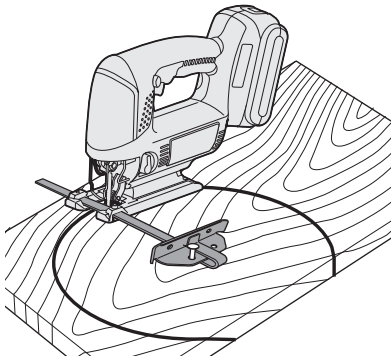
1. Place the base onto the workpiece so that the edge of the rip fence and workpiece are put together.



2. Without letting the blade touch the workpiece, turn on the power switch.
3. Face the rip fence firmly to the workpiece to cut parallel line.

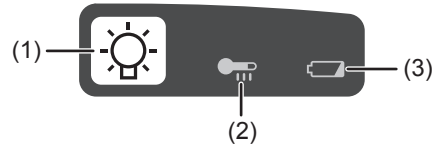
Cutting circles

1. If cutting away a section, make a drill hole on workpiece to let the jigsaw blade pass through.
2. Align the pin hole of the rip fence with the center of the circle, and then use a nail or screw to hold the object in place.

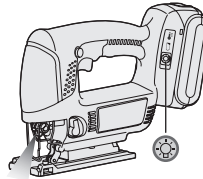


3. Without touching the workpiece, turn on the power switch.
4. Cut along the marked line.

Control Panel



(1) LED light



Before the use of LED light, always pull the power switch once.

Press  the LED light button.

The light illuminates with very low current, and it does not adversely affect the performance of the driver during use or its battery capacity.

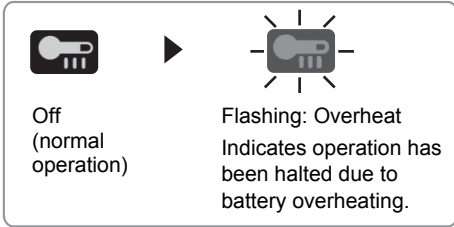
CAUTION:

- The built-in LED light is designed to illuminate the small work area temporarily.
- Do not use it as a substitute for a regular flashlight, since it does not have enough brightness.
- LED light turns off when the tool has not been used for 5 minutes.

Caution : DO NOT STARE INTO BEAM.

Use of controls or adjustments or performance of procedures other than those specified herein may result in hazardous radiation exposure.

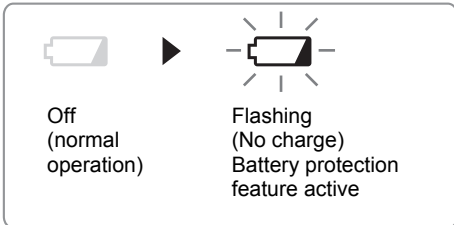
(2) Overheat warning lamp



The overheating protection feature halts operation to protect the battery pack in the event of overheating. The overheat warning lamp on the control panel flashes when this feature is active.

- If the overheating protection feature activates, allow the driver to cool thoroughly (at least 30 minutes). The battery is ready for use when the overheat warning lamp goes out.
- Avoid using the driver in a way that causes the overheating protection feature to activate repeatedly.

(3) Battery low warning lamp



Excessive (complete) discharging of lithium ion batteries shortens their service life dramatically. The tool includes a battery protection feature designed to prevent excessive discharging of the battery pack.

- The battery protection feature activates immediately before the battery loses its charge, causing the battery low warning lamp to flash.
- If you notice the battery low warning lamp flashing, charge the battery pack immediately.

[Battery Pack]

For Appropriate Use of Battery pack

Li-ion Battery pack (EY9L40/EY9L41)

- For optimum battery life, store the Li-ion battery pack following use without charging it.
- When charging the battery pack, confirm that the terminals on the battery charger are free of foreign substances such as dust and water etc. Clean the terminals before charging the battery pack if any foreign substances are found on the terminals.

The life of the battery pack terminals may be affected by foreign substances such as dust and water etc. during operation.

- When battery pack is not in use, keep it away from other metal objects like: paper clips, coins, keys, nails, screws, or other small metal objects that can make a connection from one terminal to another.

Shorting the battery terminals together may cause sparks, burns or a fire.

- When operating the battery pack, make sure the work place is well ventilated.
- When the battery pack is removed from the main body of the tool, replace the battery pack cover immediately in order to prevent dust or dirt from contaminating the battery terminals and causing a short circuit.



Battery Pack Life

The rechargeable batteries have a limited life. If the operation time becomes extremely short after recharging, replace the battery pack with a new one.

Battery Recycling

ATTENTION:

For environmental protection and recycling of materials, be sure that it is disposed of at an officially assigned location, if there is one in your country.

[Battery Charger]

Charging

Cautions for the Li-ion Battery Pack

- If the temperature of the battery pack falls approximately below -10°C (14°F), charging will automatically stop to prevent degradation of the battery.

Common Cautions for the Li-ion/Ni-MH/Ni-Cd Battery Pack

- The ambient temperature range is between 0°C (32°F) and 40°C (104°F). If the battery pack is used when the battery temperature is below 0°C (32°F), the tool may fail to function properly.
- When charging a cool battery pack (below 0°C (32°F)) in a warm place, leave the battery pack at the place and wait for more than one hour to warm up the battery to the level of the ambient temperature.
- Cool down the charger when charging more than two battery packs consecutively.
- Do not insert your fingers into contact hole, when holding charger or any other occasions.

⚠ CAUTION:

To prevent the risk of fire or damage to the battery charger.

- Do not use power source from an engine generator.
- Do not cover vent holes on the charger and the battery pack.
- Unplug the charger when not in use.

Li-ion Battery Pack

NOTE:

Your battery pack is not fully charged at the time of purchase. Be sure to charge the battery before use.

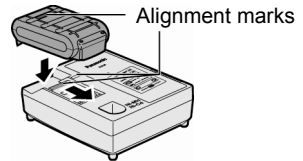
Battery charger (EY0L80)

1. Plug the charger into the AC outlet.

NOTE:

Sparks may be produced when the plug is inserted into the AC power supply, but this is not a problem in terms of safety.

2. Insert the battery pack firmly into the charger.
 1. Line up the alignment marks and place the battery onto the dock on the charger.
 2. Slide forward in the direction of the arrow.



3. During charging, the charging lamp will be lit.

When charging is completed, an internal electronic switch will automatically be triggered to prevent overcharging.

- Charging will not start if the battery pack is warm (for example, immediately after heavy-duty operation). The orange standby lamp will be flashing until the battery cools down. Charging will then begin automatically.

4. The charge lamp (green) will flash slowly once the battery is approximately 80% charged.
 5. When charging is completed, the charging lamp will start flashing quickly in green color.
 6. If the temperature of the battery pack is 0°C or less, charging takes longer to fully charge the battery pack than the standard charging time.
Even when the battery is fully charged, it will have approximately 50% of the power of a fully charged battery at normal operating temperature.
 7. If the power lamp does not light immediately after the charger is plugged in, or if after the standard charging time the charging lamp does not flash quickly in green, consult an authorized service center.
 8. If a fully charged battery pack is inserted into the charger again, the charging lamp lights up. After several minutes, the charging lamp may flash quickly to indicate the charging is completed.
3. During charging, the charging lamp will be lit.
When charging is completed, an internal electronic switch will automatically be triggered to prevent over-charging.
 - Charging will not start if the battery pack is warm (for example, immediately after heavy-duty operation).
The orange standby lamp will be flashing until the battery cools down. Charging will then begin automatically.
 4. When charging is completed, the charging lamp will start flashing quickly in green color.
 5. If the charging lamp does not light immediately after the charger is plugged in, or if after the standard charging time the charging lamp does not flash quickly in green, consult an authorized service center.
 6. If a fully charged battery pack is inserted into the charger again, the charging lamp lights up. After several minutes, the charging lamp may flash quickly to indicate the charging is completed.

Ni-MH/Ni-Cd Battery Pack

NOTE:

When you charge the battery pack for the first time, or after prolonged storage, charge it for about 24 hours to bring the battery up to full capacity.

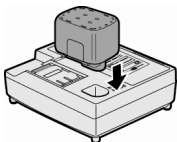
Battery charger (EY0L80)

1. Plug the charger into the AC outlet.

NOTE:

Sparks may be produced when the plug is inserted into the AC power supply, but this is not a problem in terms of safety.

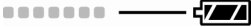
2. Insert the battery pack firmly into the charger.



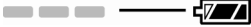
LAMP INDICATIONS



Green Lit
Charger is plugged into the AC outlet.
Ready to charge.



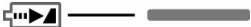
Green Flashing Quickly
Charging is completed. (Full charge.)



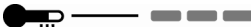
Green Flashing
Battery is approximately 80% charged. (Usable charge. Li-ion only.)



Green Lit
Now charging.



Orange Lit
Battery pack is cool.
The battery pack is being charged slowly to reduce the load on the battery. (Li-ion only.)



Orange Flashing
Battery pack is warm. Charging will begin when temperature of battery pack drops.

If the temperature of the battery pack is -10°C or less, the charging status lamp (orange) will also start flashing. Charging will begin when the temperature of the battery pack goes up (Li-ion only).



Charging Status Lamp
Left: green Right: orange will be displayed.



Both Orange and Green Flashing Quickly
Charging is not possible. Clogged with dust or malfunction of the battery pack.

Information for Users on Collection and Disposal of Old Equipment and used Batteries



These symbols on the products, packaging, and/or accompanying documents mean that used electrical and electronic products and batteries should not be mixed with general household waste.

For proper treatment, recovery and recycling of old products and used batteries, please take them to applicable collection points, in accordance with your national legislation and the Directives 2002/96/EC and 2006/66/EC.



By disposing of these products and batteries correctly, you will help to save valuable resources and prevent any potential negative effects on human health and the environment which could otherwise arise from inappropriate waste handling.



For more information about collection and recycling of old products and batteries, please contact your local municipality, your waste disposal service or the point of sale where you purchased the items.

Cd

Penalties may be applicable for incorrect disposal of this waste, in accordance with national legislation.

For business users in the European Union

If you wish to discard electrical and electronic equipment, please contact your dealer or supplier for further information.

[Information on Disposal in other Countries outside the European Union]

These symbols are only valid in the European Union. If you wish to discard these items, please contact your local authorities or dealer and ask for the correct method of disposal.

Note for the battery symbol (bottom two symbol examples):

This symbol might be used in combination with a chemical symbol. In this case it complies with the requirement set by the Directive for the chemical involved.

V. MAINTENANCE

Use only a dry, soft cloth for wiping the unit. Do not use a damp cloth, thinner, benzene, or other volatile solvents for cleaning.

VI. ACCESSORIES

⚠ CAUTION:

- The use of any accessories not specified in this manual may result in fire, electric shock, or personal injury. Use recommended accessories only.

Metal Blade

- EY9SXMJ0E

For cutting metal in general

Wood Blade

- EY9SXWJ0E

For cutting wood in general

Drywall Blade

- EY9SXXJ0E

For cutting drywall in general

Rip Fence (Optional accessory)

- EY9X011E

For convenience of rip cuts and repeated cut of same width.

Dust Adaptor for Vacuum Cleaner (Optional accessory)

- EY9X009E

VII. SPECIFICATIONS

MAIN UNIT

Model	EY4541	
Motor	14.4 V DC	
Max thickness of mounting blade	1.3 mm (1/16")	
Length of strokes	20 mm (25/32")	
Strokes per minute	0 - 2400 /min	
Maximum cutting capacities	Wood	65 mm (2-9/16")
	Mild steel	6 mm (1/4")
	Aluminum	10 mm (3/8")
Overall length	270 mm (10-5/8")	
Weight (with battery pack: EY9L40)	2.2 kg (4.8 lbs)	
Weight (with battery pack: EY9L41)	2.25 kg (5 lbs)	
Noise, Vibration	See the included sheet	

BATTERY PACK

Model	EY9L40	EY9L41
Storage battery	Li-ion Battery	
Battery voltage	14.4 V DC (3.6 V x 4 cells)	
Capacity	3 Ah	3,3 Ah

BATTERY CHARGER

Model	EY0L80
Rating	See the rating plate on the bottom of the charger.
Weight	0.95 kg (2.1 lbs)

[Li-ion battery pack]

Charging time	3 Ah	14.4 V	21.6 V	28.8 V
		EY9L40	EY9L60	EY9L80
		Usable: 35 min.	Usable: 45 min.	Usable: 55 min.
		Full: 50 min.	Full: 60 min.	Full: 70 min.

Charging time	3.3 Ah	14.4 V		
		EY9L41		
		Usable: 45 min.		
		Full: 60 min.		

[Ni-Cd/Ni-MH battery pack]

Charging time		7.2 V	9.6 V	12 V	15.6 V	18 V	24 V
	1.2 Ah	EY9065 EY9066	EY9080 EY9086	EY9001 EY9006			
		20 min.					
	1.7 Ah		EY9180 EY9182	EY9101 EY9103			
		25 min.					
	2 Ah	EY9168	EY9188	EY9106 EY9107 EY9108	EY9136		EY9116 EY9117
	30 min.					60 min.	
3 Ah			EY9200 EY9230			EY9210	
				45 min.		90 min.	
3.5 Ah			EY9201 EY9231	EY9251			
				55 min.		65 min.	

NOTE: This chart may include models that are not available in your area.
Please refer to the latest general catalogue.

NOTE: For the dealer name and address, please see the included warranty card.

ONLY FOR U. K.



VIII. ELECTRICAL PLUG INFOR- MATION

FOR YOUR SAFETY PLEASE READ THE FOLLOWING TEXT CAREFULLY

This appliance is supplied with a moulded three pin mains plug for your safety and convenience.

A 5 amp fuse is fitted in this plug.

Should the fuse need to be replaced please ensure that the replacement fuse has a rating of 5 amp and that it is approved by ASTA or BSI to BS1362.

Check for the ASTA mark  or the BSI mark  on the body of the fuse.

If the plug contains a removable fuse cover you must ensure that it is refitted when the fuse is replaced.

If you lose the fuse cover the plug must not be used until a replacement cover is obtained.

A replacement fuse cover can be purchased from your local Panasonic Dealer.

IF THE FITTED MOULDED PLUG IS UNSUITABLE FOR THE SOCKET OUTLET IN YOUR HOME THEN THE FUSE SHOULD BE REMOVED AND THE PLUG CUT OFF AND DISPOSED OF SAFELY.

THERE IS A DANGER OF SEVERE ELECTRICAL SHOCK IF THE CUT OFF PLUG IS INSERTED INTO ANY 13 AMP SOCKET.

If a new plug is to be fitted please observe the wiring code as shown below.

If in any doubt please consult a qualified electrician.

IMPORTANT:

The wires in this mains lead are coloured in accordance with the following code:


Blue: Neutral

Brown: Live

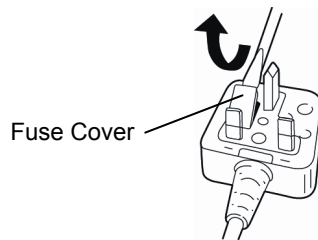
As the colours of the wire in the mains lead of this appliance may not correspond with the coloured markings identifying the terminals in your plug, proceed as follows.

The wire which is coloured BLUE must be connected to the terminal in the plug which is marked with the letter N or coloured BLACK.

The wire which is coloured BROWN must be connected to the terminal in the plug which is marked with the letter L or coloured RED.

Under no circumstances should either of these wires be connected to the earth terminal of the three pin plug, marked with the letter E or the Earth Symbol .

How to replace the fuse: Open the fuse compartment with a screwdriver and replace the fuse and fuse cover if it is removable.



This apparatus was produced to BS800.

I. BESTIMMUNGSGEMÄSSE VERWENDUNG DER MASCHINE

Vielen Dank, dass Sie sich für eine Stichsäge von Panasonic entschieden haben. Die Stichsäge bietet eine ausgezeichnete Leistung mit wiederaufladbaren Akkus von Panasonic. Die Stichsäge eignet sich nur zum Schneiden von Metall, Holz, und Gipsplatten.



Lesen Sie bitte vor der ersten Inbetriebnahme dieses Geräts das separate Handbuch „Sicherheitsmaßnahmen“ sorgfältig durch.

II. WEITERE WICHTIGE SICHERHEITSREGELN

- 1) Halten Sie die Maschine an den isolierten Griffflächen, wenn Sie eine Arbeit durchführen, bei der die Gefahr von Kontakt mit verborgenen Kabeln besteht. Bei Kontakt mit einem stromführenden Kabel werden die freiliegenden Metallteile der Maschine ebenfalls stromführend, so dass der Benutzer einen elektrischen Schlag erleiden kann.
- 2) **Verwenden Sie Zwingen oder halten Sie das Werkstück auf eine andere geeignete Weise auf einer stabilen Unterlage fest.** Beim Festhalten des Werkstücks mit den Händen oder durch Andrücken an den Körper kann die Kontrolle verloren werden.
- 3) **Halten Sie Ihre Hände von Schnittbereich und Sägeblatt fern. Halten Sie die Maschine an den isolierten Griffflächen.** Halten Sie das Tool mit beiden Händen, um Verletzungen durch das Sägeblatt zu vermeiden.
- 4) **Halten Sie das zu schneidende Werkstück auf keinen Fall mit Ihren Händen oder über Ihr Bein.** Das Werkstück muss einwandfrei abgestützt werden, um die Gefahr von Körperverletzungen oder des Verlusts der Kontrolle zu minimieren.
- 5) **Denken Sie daran, dass das Werkzeug ständig betriebsbereit ist, da es nicht an die Steckdose angeschlossen werden muß.**
- 6) **Verwenden Sie stets eine Schutzbrille mit Seitenschirmen. Gewöhnliche Brillen oder Sonnenbrillen sind KEINE Schutzbrillen.**
- 7) **Wenn Sie diese Maschine für Holzbear-**

beitung in einem begrenzten Raum (z.B. Innenraum) benutzen, sollten Sie eine Staubmaske tragen.

- 8) **Schneiden Sie keine Nägel durch. Untersuchen Sie das Werkstück auf Nägel, und entfernen Sie diese vor der Bearbeitung.**
- 9) **Schneiden Sie keine übergroßen Werkstücke.**
- 10) **Vergewissern Sie sich vor dem Sägen, dass genügend Freiraum hinter dem Werkstück vorhanden ist, damit das Sägeblatt nicht gegen eine harte Oberfläche, wie Fußboden, Werkbank usw. stößt.**
- 11) **Halten Sie die Maschine mit festem Griff.**
- 12) **Vergewissern Sie sich vor dem Einschalten der Maschine, dass das Sägeblatt nicht das Werkstück berührt.**
- 13) **Halten Sie die Hände von beweglichen Teilen fern.**
- 14) **Vermeiden Sie eine Berührung des Sägeblatts oder des Werkstücks unmittelbar nach der Bearbeitung, weil sie dann noch sehr heiß sind und Hautverbrennungen verursachen können.**
- 15) **Unterlassen Sie das Schwingen des Tools.**
- 16) **Verwenden Sie keine Sägeblätter, die Verformungen oder Risse aufweisen.**
- 17) **Verwenden Sie keine Sägeblätter, die nicht den hier angegebenen Spezifikationen entsprechen.**
- 18) **Nehmen Sie den Akku von der Maschine ab, bevor Sie das Sägeblatt auswechseln, Einstellungen vornehmen oder andere Wartungsarbeiten ausführen.**
- 19) **Geeigneten Gehörschutz tragen, wenn Werkzeug längere Zeit im Betrieb ist!**

Symbol	Bedeutung
V	Volt
===	Gleichstrom
n ₀	Leerlaufdrehzahl
...min ⁻¹	Drehzahl oder Hubzahl pro Minute
Ah	Akkukapazität in Ampere Stunden
	Zur Verminderung der Verletzungsgefahr muss die Bedienungsanleitung gründlich gelesen werden.
	Nur für Inneneinsatz.

⚠️ WARNUNG:

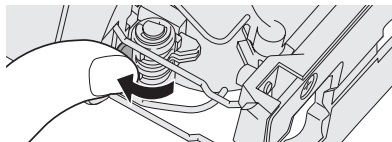
- Bitte verwenden Sie für dieses wiederaufladbare Gerät nur die von Panasonic vorgesehenen Akkus.
- Entsorgen Sie diesen Akku niemals im Feuer und setzen Sie ihn keinesfalls starker Hitze aus.
- Versuchen Sie niemals, Gegenstände wie Nägel in den Akku zu schlagen, dies könnte zu einem elektrischen Schlag führen. Sehen Sie außerdem davon ab, den Akku zu zerlegen oder zu verändern.
- Achten Sie darauf, dass keine metallischen Gegenstände mit den Anschlüssen des Akkus in Verbindung kommen.
- Der Akku darf nicht im selben Behälter wie Nägel oder ähnliche metallische Gegenstände transportiert oder gelagert werden.
- Laden Sie den Akku niemals an einem Ort mit hoher Temperatur, beispielsweise neben einem Feuer oder direkter Sonneneinstrahlung. Andernfalls kann dies zu Überhitzung, einem Brand oder einer Explosion führen.
- Laden Sie den Akku ausschließlich mit dem dafür vorgesehenen Ladegerät. Andernfalls kann dies zu einem Auslaufen des Akkus, einem Brand oder einer Explosion führen.
- Nachdem Sie den Akku von der Maschine oder dem Ladegerät abgenommen haben, bringen Sie stets die Akkuabdeckung wieder an. Andernfalls könnten die Akkukontakte kurzgeschlossen werden, was zu einem Brand führen kann.

- Kontrollieren, ob im zu bearbeitenden Werkstück keine Fremdkörper vorhanden sind.

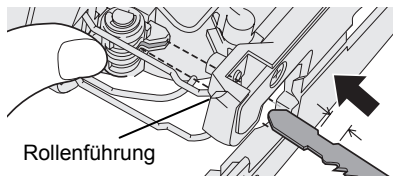
Einspannen und Entfernen des Sägeblatts

Installation

1. Wischen Sie den Sägestaub vom Sägeblatt und von der Sägeblatthalterung.
2. Heben Sie den Hebel zum Feststellen bzw. Entfernen des Sägeblatts an.



3. Setzen Sie das Sägeblatt in die Sägeblatthalterung und stellen Sie die Sägeblattrückseite auf die Rollenführung ein, so dass sich die Rückseite des Sägeblatts entlang der Rollenführung bewegt.



4. Lassen Sie den Hebel zum Feststellen bzw. Entfernen des Sägeblatts los.
 - Wenn das Sägeblatt eingespannt ist, kehrt der Hebel in die Ausgangsposition zurück.
 - Kontrollieren Sie, ob die Rückseite des Sägeblatts auf die Nut der Rollenführung ausgerichtet ist.

⚠️ WARNUNG:

Wird das Sägeblatt nicht tief genug eingeführt, kann es während des Betriebs plötzlich herausgeschleudert werden. Dies kann gefährliche Folgen haben.

Ausbau

1. Heben Sie den Hebel zum Entfernen des Sägeblatts an.
2. Ziehen Sie das Sägeblatt heraus.

III. BAUGRUPPE

⚠️ WARNUNG:

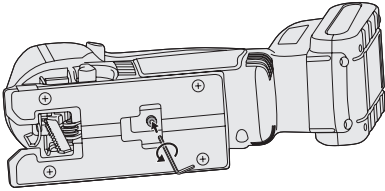
Zur Verringerung der Verletzungsgefahr muss zum Auswechseln des Sägeblatts immer der Akku entfernt werden.

Prüfung vor der Inbetriebnahme

- Ist das richtige Sägeblatt für das zu bearbeitende Werkstück eingespannt?
- Wurde die richtige Stammform und Sägeblattstärke verwendet?
- Ist das Sägeblatt fest eingespannt?
- Kontrollieren, ob das Sägeblatt nicht gerissen oder gebrochen ist.

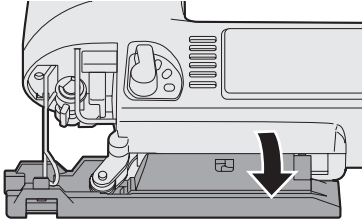
Einstellen des Unterteils

1. Lösen Sie die Unterteilschraube mit einem Sechskantschlüssel.



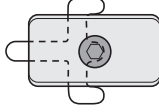
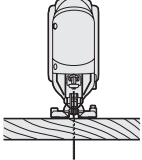
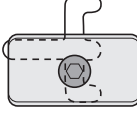
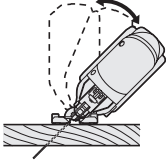
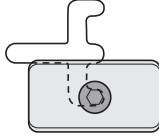
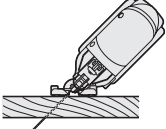
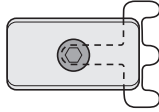
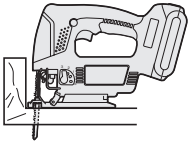
2. Richten Sie das Unterteil zum Einstellen der Position auf das Einstellloch aus. (Siehe rechts stehende Abbildung.)

- Das Unterteil kann seitlich zwischen 0° und 45° und nach vorne und hinten eingestellt werden. Für das seitliche Neigen des Unterteils muss zuerst die Staubabdeckung entfernt werden.
- Zur Bestimmung des Winkels wird auf den Schrägeindex verwiesen.
- Wenn die Säge geneigt wird, muss sich die Parallelanschlagschraube auf der Gegenseite befinden.



3. Ziehen Sie die Unterteilschraube mit einem Sechskantschlüssel fest.

Position des Unterteils und Verwendungszweck

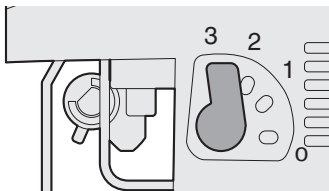
Position des Unterteileinstelllochs	Verwendungszweck
	Normales Schneiden im rechten Winkel 
	Schneiden in einem Winkel von 0° bis 45° 
	Schneiden in einem Winkel von 45° 
	Schneiden bis nahe an das Ende einer Wand 

HINWEIS:

Das ist nur eine grobe Anleitung. Der tatsächliche Schnittwinkel hängt davon ab, wie das Tool gegen die Oberfläche gehalten wird.

Einstellung des Pendelhubes

- Stellen Sie den Pendelhub auf das zu bearbeitende Werkstück ein.



Hebelposition	Sägeblattbewegung	Hauptsächliche Anwendungen
0	 nur vertikal	<ul style="list-style-type: none"> • Schneiden von Hartmetallen, wie Stahl • Glattes Schneiden von Baumaterialien und Sperrholzplatten • Schneiden von stark gekrümmten Linien
1	 kleiner Pendelhub	<ul style="list-style-type: none"> • Schneiden von Weichmetallen, wie Aluminium und andere Nichteisenmetalle • Schneiden von Hartholz, Sperrholzplatten und Kunststoffen
2	 mittlerer Pendelhub	<ul style="list-style-type: none"> • Schneiden von ziemlich weichen Materialien • Schneiden von Holz- und Spanplatten • Schnelles Schneiden von Aluminium und Weichstahl
3	 hoher Pendelhub	<ul style="list-style-type: none"> • Schneiden von weichen Materialien • Schnelles Schneiden von Materialien, wie Holz, Spanplatten und Kunststoffe

- Für einen saubereren Schnitt muss ein kleinerer Pendelhub eingestellt werden.

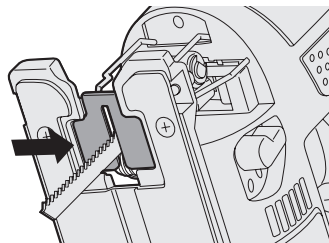
Anti-Splintering-Platte

Verwenden Sie die Anti-Splintering-Platte zum Vermeiden des Splitters beim Schneiden von Holz.

Installation

1. Stellen Sie das Unterteil in die 90°-Position.
2. Setzen Sie die Anti-Splintering-Platte auf die Unterseite des Unterteils und drücken Sie zur Installation der Anti-Splintering-Platte das Unterteil leicht.

- Die abgeschrägte Seite des Schlitzes in der Mitte der Anti-Splintering-Platte muss gegen die Säge gerichtet sein.

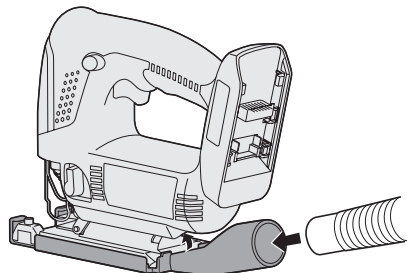


Staubadapter für Staubsauger (EY9H009E) (als Sonderzubehör erhältlich)

Beim Schneiden kann der Sägestaub mit einem Staubsauger gesammelt werden.

Installation

1. Bringen Sie den Haken des Staubadapters an der Vorderseite des Unterteils an.
2. Rasten Sie den hinteren Teil ein.
3. Bringen Sie den Staubsaugerschlauch an.



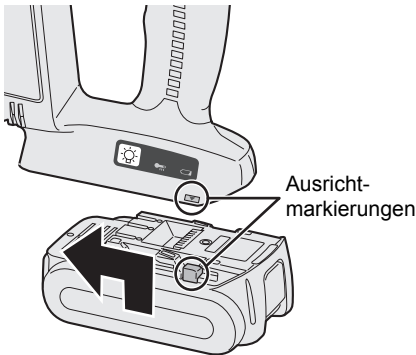
- Es wird empfohlen, den Staubadapter zur Verringerung der Gefahr einer Beschädigung des zu schneidenden Materials zu verwenden.

Anbringen oder Abnehmen des Akkus

1. Zum Anschließen des Akkus:

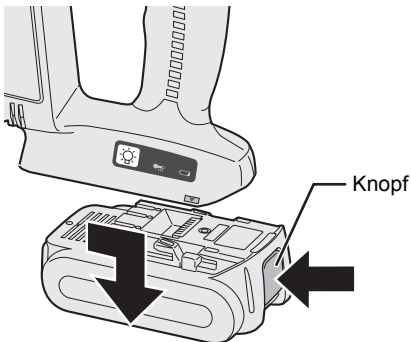
Die Ausrichtmarkierungen aufeinander ausrichten, und den Akku anbringen.

- Den Akku einschieben, bis er einrastet.



2. Zum Entfernen des Akkus:

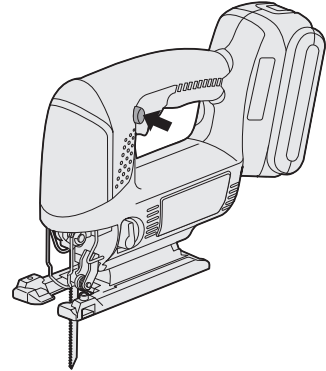
Zum Abnehmen des Akkus den Knopf an der Vorderseite drücken.



IV. BETRIEB

1. Drücken Sie den Schalterverriegelungshebel nach unten und ziehen Sie den Netzschalter.

- Die Geschwindigkeit erhöht sich mit zunehmendem Druck auf den Netzschalter.



2. Lassen Sie den Netzschalter nach abgeschlossenem Schneiden los.
3. Kontrollieren Sie, ob sich das Sägeblatt ausreichend abgekühlt hat und nehmen Sie das Sägeblatt ab.

Schneiden

HINWEIS:

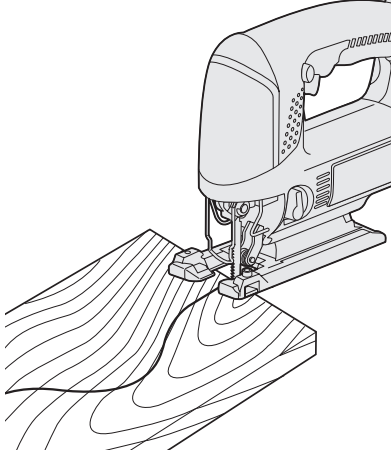
- Kontrollieren Sie, ob sich unter dem Werkstück keine Hindernisse befinden.
- Kontrollieren Sie, ob sich im Werkstück keine Fremdkörper, wie Nägel befinden.

Falls das Sägeblatt beim Schneiden auf solche Gegenstände trifft, entstehen große Reaktionskräfte, die schwere Verletzungen verursachen können.

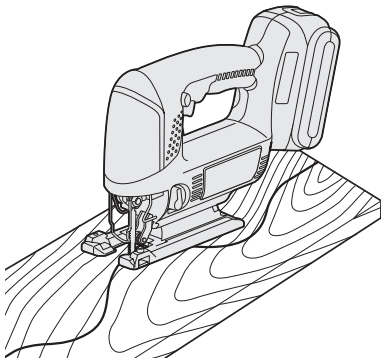
- Legen Sie die Hand nicht in der Schneiderichtung auf das Werkstück. Bei Missachtung besteht eine Verletzungsgefahr.
- Berühren Sie das Sägeblatt unmittelbar nach dem Schneiden nicht. Bei Missachtung können Verbrennungen auftreten.

Schneiden entlang von Markierungslinien

1. Legen Sie das Werkstück auf die Unterlage und richten Sie das Sägeblatt auf die Markierungslinie aus.
 - Drücken Sie das Sägeblatt vor dem Ziehen des Netzschalters nicht gegen das Werkstück.

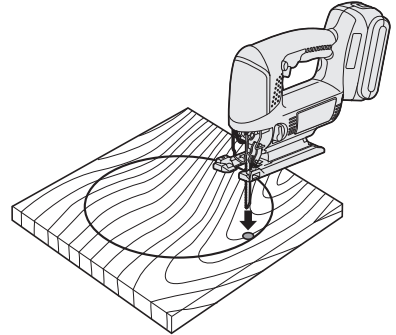


2. Ziehen Sie den Netzschalter, warten Sie bis sich die Geschwindigkeit stabilisiert hat und setzen Sie das Unterteil auf das Werkstück, das entlang der Markierungslinien geschnitten werden soll.
 - Beim Schneiden komplexer Formen muss die Schneidgeschwindigkeit bei starken Krümmungen reduziert werden.



Einstechschneiden

1. Bohren Sie ein Loch in den auszuscheidenden Teil, so dass das Sägeblatt eingesteckt werden kann.
2. Stecken Sie das Sägeblatt in das Loch, ohne das Werkstück zu berühren und schalten Sie den Netzschalter ein.



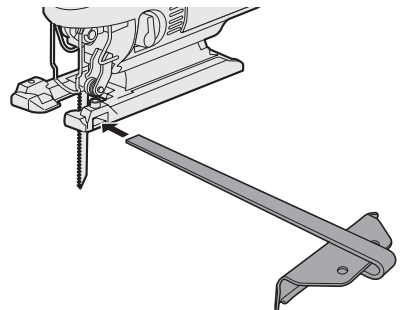
3. Schneiden Sie entlang der Markierungslinie.

Verwendung des Parallelanslags (EY9X011E) (als Sonderzubehör erhältlich)

Ein Parallelanslag kann zum Schneiden paralleler Linien, Kreisen und Bogen verwendet werden.

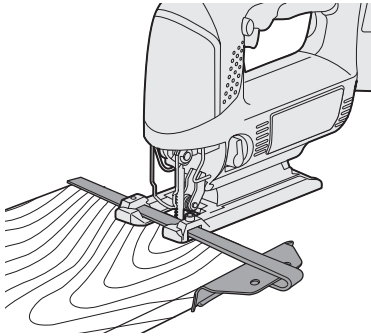
Anbringen des Parallelanslags

1. Lösen Sie die Parallelanslagschraube.
2. Stecken Sie den Parallelanslag durch die Befestigung.
3. Stellen Sie die Schneideposition ein und ziehen Sie die Parallelanslagschraube fest.



Schneiden der gleichen Breite

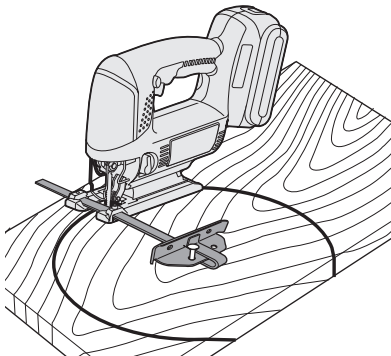
1. Setzen Sie das Unterteil auf das Werkstück, so dass der Parallelanschlag auf die Kante des Werkstücks ausgerichtet ist.



2. Schalten Sie den Netzschalter ein, wenn das Sägeblatt das Werkstück noch nicht berührt.
3. Richten Sie den Parallelanschlag zum Schneiden paralleler Linien richtig auf das Werkstück aus.

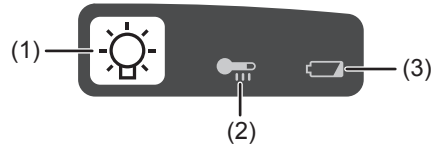
Schneiden von Kreisen

1. Bohren Sie ein Loch in den auszuscheidenden Teil, so dass das Sägeblatt eingesteckt werden kann.
2. Richten Sie das Stiftloch des Parallelanschlags auf die Kreismitte aus und halten Sie den Parallelanschlag mit einem Nagel oder einer Schraube fest.

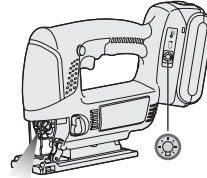


3. Schalten Sie den Netzschalter ein, wenn das Sägeblatt das Werkstück noch nicht berührt.
4. Schneiden Sie entlang der Markierungslinie.


Bedienfeld



(1) LED-Leuchte



Vor Verwendung der LED-Leuchte muss immer der Netzschalter einmal gezogen werden.

Drücken Sie die LED-Leuchtentaste .

Die LED-Leuchte verbraucht nur sehr wenig Strom und beeinträchtigt weder die Leistung des Werkzeugs während des Betriebs noch die Akkukapazität.

VORSICHT:

- Die eingebaute LED-Leuchte ist für kurzzeitige Beleuchtung eines kleinen Arbeitsbereichs ausgelegt.
- Verwenden Sie sie nicht als Ersatz für eine normale Taschenlampe, weil sie nicht hell genug ist.
- Die LED-Leuchte schaltet sich aus, wenn das Tool während 5 Minuten nicht verwendet wurde.

Vorsicht: SEHEN SIE NICHT IN DEN STRAHL. Die Verwendung von Bedienelementen, Einstellungen oder Vorgängen außer den hier beschriebenen kann zur Freisetzung gefährlicher Strahlung führen.

(2) Überhitzungs-Warnlampe



Aus
(normaler
Betrieb)



Blinken: Überhitzung
Zeigt an, dass der Betrieb
wegen Akku-Überhitzung
angehalten wurde.

Die Überhitzungs-Schutzfunktion hält den Betrieb an, um den Akku im Falle einer Überhitzung zu schützen. Wenn diese Funktion aktiv ist, blinkt die Überhitzungs-Warnlampe am Bedienfeld.

- Falls die Überhitzungs-Schutzfunktion aktiviert wird, lassen Sie die Maschine gründlich abkühlen (mindestens 30 Minuten). Der Akku ist wieder einsatzbereit, wenn die Überhitzungs-Warnlampe erlischt.
- Vermeiden Sie einen Betrieb der Maschine, bei dem die Überhitzungs-Schutzfunktion wiederholt aktiviert wird.

(3) Akkuladungs-Warnlampe



Aus
(normaler
Betrieb)



Blinken
(Keine Ladung)
Akkuschutzfunktion
aktiv

Übermäßiges (vollständiges) Entladen von Li-Ion-Akkus führt zu einer erheblichen Verkürzung ihrer Lebensdauer. Die Maschine ist mit einer Akkuschutzfunktion ausgestattet, die übermäßiges Entladen des Akkus verhindert.

- Die Akkuschutzfunktion wird unmittelbar vor der Erschöpfung des Akkus aktiviert und bewirkt Blinken der Akkuladungs-Warnlampe.
- Wenn Sie bemerken, dass die Akkuladungs-Warnlampe blinkt, laden Sie den Akku unverzüglich auf.

[Akku]

Für richtigen Gebrauch des Akkus

Li-Ion-Akku (EY9L40/ EY9L41)

- Um eine möglichst lange Lebensdauer des Li-Ion-Akkus zu erzielen, lagern Sie ihn nach dem Gebrauch, ohne ihn aufzuladen.
- Achten Sie beim Laden des Akkus darauf, dass die Kontakte am Ladegerät frei von Fremdstoffen, wie z. B. Staub und Wasser usw., sind. Reinigen Sie die Kontakte vor dem Laden des Akkus, falls Fremdstoffe auf den Kontakten vorhanden sind. Die Lebensdauer der Akkukontakte kann durch Anhaften von Fremdstoffen, wie z. B. Staub und Wasser usw., während des Betriebs beeinträchtigt werden.
- Wenn Sie den Akku nicht benutzen, halten Sie ihn von Metallgegenständen fern: Büroklammern, Münzen, Schlüssel, Nägel, Schrauben und andere kleine Metallgegenstände können die Kontakte kurzschließen. Das Kurzschließen der Akkukontakte kann Funken, Verbrennungen oder einen Brand verursachen.
- Sorgen Sie bei Benutzung des Akkus für ausreichende Belüftung des Arbeitsplatzes.
- Wenn der Akku vom Werkzeug-Hauptteil abgenommen wird, ist die Akkuabdeckung sofort anzubringen, um zu verhindern, dass die Akkukontakte durch Staub oder Schmutz verunreinigt werden und ein Kurzschluss verursacht wird.



Lebensdauer des Akkus

Der Akku hat nur eine begrenzte Lebensdauer. Wenn auch nach einer ordnungsgemäßen Ladung die Betriebszeit extrem kurz ist, muss der Akku erneuert werden.

Batterie-Recycling

ACHTUNG:

Um Umweltschutz und Material-Recycling zu gewährleisten, müssen Sie die Batterie zur örtlichen Entsorgungsstelle bringen, falls eine solche in Ihrem Land vorhanden ist.

[Ladegerät]

Laden

Vorsichtsmaßnahmen für Li-Ion-Akku

- Falls die Temperatur des Akkus unter etwa -10°C abfällt, wird der Ladevorgang automatisch unterbrochen, um eine Schwächung des Akkus zu verhüten.

Allgemeine Vorsichtsmaßnahmen für Li-Ion/Ni-MH/Ni-Cd-Akkus

- Der Umgebungstemperaturbereich liegt zwischen 0°C und 40°C . Wenn der Akku bei einer Akkumtemperatur unter 0°C benutzt wird, funktioniert die Maschine möglicherweise nicht einwandfrei.
- Wenn ein kalter Akku (von etwa 0°C oder weniger) in einem warmen Raum aufgeladen werden soll, lassen Sie den Akku für mindestens eine Stunde in dem Raum und laden Sie ihn auf, wenn er sich auf Raumtemperatur erwärmt hat.
- Den Akku abkühlen lassen, wenn er mehr als 2× hintereinander aufgeladen wurde.
- Stecken Sie Ihre Finger nicht in die Kontaktöffnung, um das Ladegerät festzuhalten oder bei anderen Gelegenheiten.

⚠ VORSICHT:

Um die Gefahr eines Brandes oder Schadens am Ladegerät zu verhindern.

- Keinen Motorgenerator als Spannungsquelle benutzen.
- Decken Sie die Entlüftungsöffnungen des Ladegerätes und den Akku nicht ab.
- Trennen Sie das Ladegerät vom Stromnetz, wenn es nicht benutzt wird.

Li-Ion-Akku

HINWEIS:

Beim Kauf ist Ihr Akku nicht voll aufgeladen. Laden Sie daher den Akku vor Gebrauch auf.

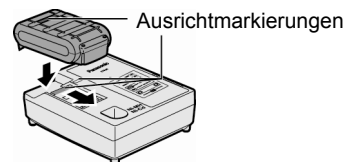
Ladegerät (EY0L80)

1. Ladegerät an Wandsteckdose anschließen.

HINWEIS:

Beim Einführen des Steckers in eine Netzsteckdose können Funken erzeugt werden, was jedoch in Bezug auf die Sicherheit kein Problem darstellt.

2. Akku fest in das Ladegerät schieben.
 1. Die Ausrichtmarkierungen ausrichten, und den Akku in den Schacht des Ladegerätes einsetzen.
 2. In Pfeilrichtung nach vorn schieben.



3. Während des Ladens leuchtet die Ladekontrolllampe. Mit Erreichen der vollen Ladung spricht automatisch eine interne, elektronische Schaltung an, die ein Überladen verhindert.
 - Das Laden beginnt nicht, solange der Akku noch heiß ist (wie z.B. unmittelbar nach intensivem Gebrauch). Die Bereitschaftslampe blinkt in Orange, bis der Akku abgekühlt ist. Das Laden beginnt dann automatisch.

4. Die Ladekontrolllampe (grün) blinkt langsam, wenn der Akku zu etwa 80% aufgeladen ist.
 5. Wenn der Ladevorgang beendet ist, beginnt die Ladekontrolllampe schnell in Grün zu blinken.
 6. Falls die Akkutemperatur 0°C oder weniger beträgt, dauert der Ladevorgang bis zur vollen Aufladung des Akkus länger als die normale Ladezeit. Selbst wenn der Akku voll aufgeladen ist, hat er nur etwa 50% der Leistung eines voll aufgeladenen Akkus bei normaler Betriebstemperatur.
 7. Falls die Betriebslampe nicht unmittelbar nach dem Anschluss des Ladegeräts aufleuchtet oder die Ladekontrolllampe nach Ablauf der normalen Ladezeit nicht schnell in Grün blinkt, konsultieren Sie ein autorisiertes Kundendienstzentrum.
 8. Wird ein voll aufgeladener Akku erneut in das Ladegerät eingesetzt, leuchtet die Ladekontrolllampe auf. Nach einigen Minuten beginnt die Ladekontrolllampe rascher zu blinken und zeigt an, dass der Ladevorgang abgeschlossen ist.
3. Während des Ladens leuchtet die Ladekontrolllampe.
Mit Erreichen der vollen Ladung spricht automatisch eine interne, elektronische Schaltung an, die ein Überladen verhindert.
 - Das Laden beginnt nicht, solange der Akku noch heiß ist (wie z.B. unmittelbar nach intensivem Gebrauch). Die Bereitschaftsleuchte blinkt in Orange, bis der Akku abgekühlt ist. Das Laden beginnt dann automatisch.
 4. Wenn der Ladevorgang beendet ist, beginnt die Ladekontrolllampe schnell in Grün zu blinken.
 5. Wenn die Ladekontrolllampe nicht unmittelbar nach dem Anschließen des Netzkabels aufleuchtet oder nach Ablauf der normalen Ladezeit nicht erlischt, wenden Sie sich bitte an ein autorisiertes Kundendienstzentrum.
 6. Wird ein voll aufgeladener Akku erneut in das Ladegerät eingesetzt, leuchtet die Ladekontrolllampe auf. Nach einigen Minuten beginnt die Ladekontrolllampe rascher zu blinken und zeigt an, dass der Ladevorgang abgeschlossen ist.

Ni-MH/Ni-Cd-Akku

HINWEIS:

Beim ersten Aufladen der Akkus oder beim Aufladen nach längerer Ruhezeit die Akkus etwa 24 Stunden lang aufladen, um die volle Kapazität zu erreichen.

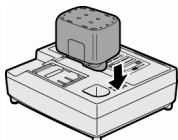
Ladegerät (EY0L80)

1. Ladegerät an Wandsteckdose anschließen.

HINWEIS:

Beim Einführen des Steckers in eine Netzsteckdose können Funken erzeugt werden, was jedoch in Bezug auf die Sicherheit kein Problem darstellt.

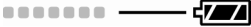
2. Akku fest in das Ladegerät schieben.



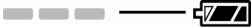
ANZEIGELAMPEN



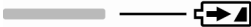
Leuchten in Grün
Das Ladegerät ist an eine Netzsteckdose angeschlossen.
Ladebereitschaft hergestellt.



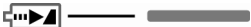
Schnelles Blinken in Grün
Ladevorgang ist abgeschlossen. (Volle Ladung)



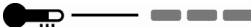
Blinken in Grün
Der Akku ist zu etwa 80 % aufgeladen. (Nutzbare Ladung.
Nur Li-Ion)



Leuchten in Grün
Ladevorgang läuft.



Leuchten in Orange
Akku ist kalt.
Der Akku wird langsam geladen, um seine Belastung zu reduzieren.



Blinken in Orange
Der Akku ist warm geworden. Der Ladevorgang beginnt wieder, wenn die Temperatur des Akkus gefallen ist.

Beträgt die Temperatur des Akkus -10°C oder weniger, beginnt die Ladekontrolllampe (orange) ebenfalls zu blinken. Der Ladevorgang beginnt, wenn die Temperatur des Akkus steigt (nur Li-Ion)



Ladezustandslampe
Links: Grün Rechts: Orange wird angezeigt.



Schnelles Blinken in Orange und Grün
Keine Ladung möglich. Verstaubt oder Defekt des Akkus.

Benutzerinformation zur Sammlung und Entsorgung von veralteten Geräten und benutzten Batterien

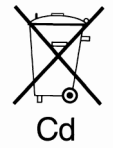


Diese Symbole auf den Produkten, Verpackungen und/oder Begleitdokumenten bedeuten, dass benutzte elektrische und elektronische Produkte und Batterien nicht in den allgemeinen Hausmüll gegeben werden sollen.

Bitte bringen Sie diese alten Produkte und Batterien zur Behandlung, Aufarbeitung bzw. zum Recycling gemäß Ihrer Landesgesetzgebung und den Richtlinien 2002/96/EG und 2006/66/EG zu Ihren zuständigen Sammelpunkten.



Indem Sie diese Produkte und Batterien ordnungsgemäß entsorgen, helfen Sie dabei, wertvolle Ressourcen zu schützen und eventuelle negative Auswirkungen auf die menschliche Gesundheit und die Umwelt zu vermeiden, die anderenfalls durch eine unsachgemäße Abfallbehandlung auftreten können.



Wenn Sie ausführlichere Informationen zur Sammlung und zum Recycling alter Produkte und Batterien wünschen, wenden Sie sich bitte an Ihre örtlichen Verwaltungsbehörden, Ihren Abfallentsorgungsdienstleister oder an die Verkaufseinrichtung, in der Sie die Gegenstände gekauft haben.

Gemäß Landesvorschriften können wegen nicht ordnungsgemäßer Entsorgung dieses Abfalls Strafgeelder verhängt werden.

Für Geschäftskunden in der Europäischen Union

Bitte treten Sie mit Ihrem Händler oder Lieferanten in Kontakt, wenn Sie elektrische und elektronische Geräte entsorgen möchten. Er hält weitere Informationen für sie bereit.

[Informationen zur Entsorgung in anderen Ländern außerhalb der Europäischen Union]

Dieses Symbol ist nur in der Europäischen Union gültig. Bitte treten Sie mit Ihrer Gemeindeverwaltung oder Ihrem Händler in Kontakt, wenn Sie dieses Produkt entsorgen möchten, und fragen Sie nach einer Entsorgungsmöglichkeit.

Hinweis zum Batteriesymbol (unten zwei Symbolbeispiele):

Dieses Symbol kann in Kombination mit einem chemischen Symbol verwendet werden. In diesem Fall erfüllt es die Anforderungen derjenigen Richtlinie, die für die betreffende Chemikalie erlassen wurde.

V. WARTUNG

Das Gerät nur mit einem trockenen, weichen Lappen abwischen. Verwenden Sie zum Reinigen keine feuchten Lappen oder flüchtige Lösungsmittel wie Farbverdünner oder Benzin.

VI. ZUBEHÖR

⚠ VORSICHT:

- Die Verwendung von anderen Zubehörtteilen, die nicht in dieser Anleitung aufgeführt sind, kann zu Brand, elektrischen Schlägen oder Verletzungen führen. Verwenden Sie ausschließlich das empfohlene Zubehör.

Metallsägeblatt

- EY9SXMJ0E

Zum Schneiden von Metall

Holzsägeblatt

- EY9SXWJ0E

Zum Schneiden von Holz

Gipsplattensägeblatt

- EY9SXXJ0E

Zum Schneiden von Gipsplatten

Parallelanschlag (Sonderzubehör)

- EY9X011E

Für Längsschnitte und wiederholte Schnitte der gleichen Breite.

Staubadapter für Staubsauger (Sonderzubehör)

- EY9X009E

VII. TECHNISCHE DATEN

HAUPTGERÄT

Modell	EY4541	
Motor	14,4 V DC	
Maximal Dicke des Sägeblatts	1,3 mm (1/16")	
Hublänge	20 mm (25/32")	
Hubzahl pro Minute	0 - 2400 /min	
Maximale Schnittleistung	Holz	65 mm (2-9/16")
	Weichstahl	6 mm (1/4")
	Aluminium	10 mm (3/8")
Gesamtlänge	270 mm (10-5/8")	
Gewicht (mit Akku: EY9L40)	2,2 kg (4,8 lbs)	
Gewicht (mit Akku: EY9L41)	2,25 kg (5 lbs)	
Geräusche, Vibration	Siehe beiliegendes Blatt	

AKKU

Modell	EY9L40	EY9L41
Akku	Li-Ion-Akku	
Nennspannung	14,4 V DC (3,6 V × 4 Zellen)	
Nennkapazität	3 Ah	3,3 Ah

AKKU-LADEGERÄT

Modell	EY0L80
Nennleistung	Siehe Leistungsschild auf der Unterseite des Ladegerätes.
Gewicht	0,95 kg (2,1 lbs)

[Li-Ion-Akku]

Ladezeit	3 Ah	14,4 V	21,6 V	28,8 V
		EY9L40	EY9L60	EY9L80
		Nutzbar: 35 Min.	Nutzbar: 45 Min.	Nutzbar: 55 Min.
		Voll: 50 Min.	Voll: 60 Min.	Voll: 70 Min.

Ladezeit	3,3 Ah	14,4 V		
		EY9L41		
		Nutzbar: 45 Min.		
		Voll: 60 Min.		

[Ni-MH/Ni-Cd-Akku]

Ladezeit	1,2 Ah	7,2 V	9,6 V	12 V	15,6 V	18 V	24 V
		EY9065 EY9066	EY9080 EY9086	EY9001 EY9006			
		20 Min.					
	1,7 Ah		EY9180 EY9182	EY9101 EY9103			
		25 Min.					
	2 Ah	EY9168	EY9188	EY9106 EY9107 EY9108	EY9136		
	30 Min.						60 Min.
3 Ah			EY9200 EY9230				EY9210
	45 Min.						90 Min.
3,5 Ah			EY9201 EY9231	EY9251			
	55 Min.			65 Min.			

HINWEIS: Diese Tabelle kann Modelle enthalten, die möglicherweise in Ihrem Wohngebiet nicht angeboten werden.
Bitte nehmen Sie auf den neusten Generalkatalog Bezug.

HINWEIS: Name und Adresse des Händlers entnehmen Sie bitte der beiliegenden Garantiekarte.

I. USAGE PREVU

Merci d'avoir acheté la scie sauteuse Panasonic. Cette scie sauteuse peut être utilisée avec des batteries Panasonic rechargeables pour d'excellentes performances de coupe. La scie sauteuse est conçue pour couper le métal, le bois et les cloisons sèches uniquement.

Lisez le livret sur les "Consignes de sécurité" et ce qui suit avant de l'utiliser.

II. REGLES DE SECURITE ADDITIONNELLES

1) **Tenez l'outil par les surfaces de poignée isolées lorsque vous effectuez une opération pendant laquelle l'outil de coupe risque d'entrer en contact avec un fil caché.**

Le contact avec un fil placé sous tension mettra aussi sous tension les parties métalliques de l'outil, ce qui risquerait d'électrocuter l'opérateur.

2) **Utilisez des pinces ou une autre méthode pratique pour fixer et soutenir la pièce à travailler sur une plateforme stable.** Tenir la pièce ouvragée à la main ou contre votre corps la rend instable et peut entraîner une perte de contrôle.

3) **N'approchez pas les mains de la zone de coupe et de la lame. Saisissez uniquement les surfaces de poignée isolées.** Si les deux mains tiennent la scie, elles ne peuvent pas être coupées par la lame.

4) **Ne tenez jamais la pièce que vous coupez dans les mains ou en travers de vos jambes.** Il est essentiel de supporter l'ouvrage correctement pour réduire l'exposition de votre corps ou les risques de perte de contrôle.

5) **N'oubliez pas que cette perceuse est toujours en état de fonctionner puisqu'elle est alimentée par batterie.**

6) **Utilisez toujours des lunettes ou**

masques faciales de protection avec blindages latéraux. Les lunettes de vue ou de soleil ordinaires NE sont PAS des lunettes de protection.

7) **Lorsque vous utilisez cet outil pour couper du bois dans des zones confinées (dans une salle par exemple), mettez un masque anti-poussière.**

8) **Evitez de couper les clous. Avant d'utiliser l'outil, vérifiez si la pièce ouvragée ne comporte pas de clous; s'il y en a, retirez-les avant d'utiliser l'outil.**

9) **Ne coupez pas de pièces trop grosses.**

10) **Vérifiez qu'il y ait bien suffisamment d'espace autour de la pièce ouvragée avant de couper, afin que la lame ne touche pas le plancher, l'établi, etc.**

11) **Tenez l'outil bien fermement.**

12) **Veillez à ce que la lame ne touche pas la pièce ouvragée avant d'allumer l'outil.**

13) **N'approchez pas les mains des pièces mobiles.**

14) **Ne touchez pas la lame ou la pièce ouvragée tout de suite après avoir utilisé l'outil; elles risquent d'être très chaudes et de vous brûler la peau.**



15) **Ne balancez jamais l'outil.**

16) **N'utilisez pas de lames déformées ou fissurées.**

17) **N'utilisez pas de lames non conformes aux caractéristiques mentionnées dans le présent mode d'emploi.**

18) **Retirez la batterie du corps de l'outil avant de remplacer la lame, d'effectuer des réglages ou d'autres travaux d'entretien.**

19) **Portez des protections auditives lorsque vous utilisez l'outil pendant de longues périodes.**

Symbole	Signification
V	Volts
---	Courant continu
n ₀	Vitesse sans charge
... min ⁻¹	Révolutions ou alternances par minute
Ah	Capacité électrique de la batterie autonome
	Pour réduire les risques de blessures, l'utilisateur doit lire et comprendre le mode d'emploi.
	Pour l'utilisation à l'intérieur seulement.

⚠ AVERTISSEMENT:

- N'utilisez que les batteries autonomes de Panasonic car elles sont conçues pour cet outil rechargeable.
- Ne mettez pas la batterie autonome dans le feu, ne la placez pas près d'une source de chaleur excessive.
- N'enfoncez pas de clou ou autre dans la batterie autonome, ne la secouez pas, ne la démontez pas, n'essayez pas de la modifier.
- Ne mettez pas d'objets métalliques en contact avec les bornes de la batterie autonome.
- Ne placez pas la batterie autonome dans le même contenant que des clous ou des objets métalliques semblables.
- Ne chargez pas la batterie autonome dans un endroit où la température est élevée, comme près d'un feu ou au contact direct des rayons du soleil. Sinon la batterie pourrait surchauffer, s'enflammer ou exploser.
- N'utilisez jamais un autre chargeur pour charger la batterie autonome. Sinon la batterie pourrait fuir, surchauffer ou exploser.
- Après avoir retiré la batterie autonome de l'outil ou du chargeur, remettez toujours le couvercle de la batterie autonome en place. Sinon, les contacts de la batterie peuvent se mettre en court-circuit, entraînant le risque d'un incendie.

III. MONTAGE

⚠ AVERTISSEMENT:

Pour réduire les risques de blessures, retirez toujours la batterie autonome avant de changer la lame.

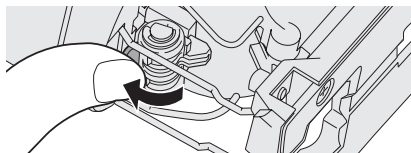
Vérification avant emploi

- Est-ce la bonne lame de scie sauteuse qui a été montée pour l'objet à découper ?
- La forme de tige l'épaisseur de lame correctes ont-elles été montées ?
- Vérifiez si la lame est montée de manière sécurisée ?
- Vérifiez si la lame est craquée ou cassée.
- Vérifiez qu'il n'y a pas d'objets étrangers dans l'objet à découper.

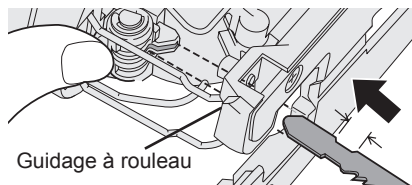
Installation et retrait de la lame

Installation

1. Essuyez toutes les poussières de découpe de la lame et du support de blocage de la lame.
2. Soulevez le levier de fixation/retrait de lame.



3. Insérez la lame dans le support de bride de la lame et régler l'arrière de la lame le long du guidage à rouleau pour que le dos de la lame de la scie sauteuse glisse le long du guidage à rouleau.



4. Libérez le levier de fixation/retrait de lame.

- Quand la lame est fermement en place, alors le levier retournera à sa position d'origine.
- Vérifiez que le dos de la lame est installé dans la rainure du guidage à rouleau.

3. Utilisez la clé hexagonale pour serrer la vis de fixation de la base.

Position de la base et utilisation prévue

⚠ AVERTISSEMENT:

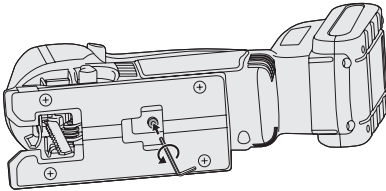
Si vous n'insérez pas la lame de scie assez profondément, la lame de scie risquera d'être éjectée accidentellement pendant le fonctionnement. Ceci vous expose à graves dangers.

Retrait

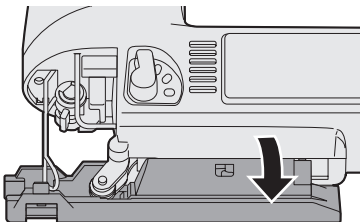
1. Soulevez le levier de fixation/retrait de lame.
2. Retirez la lame.

Ajustement de la base

1. Utilisez la clé hexagonale pour desserrer la vis de fixation de la base.



2. Déplacez la base le long de l'orifice d'ajustement de la base pour régler sa position. (consultez le schéma à droite)
 - Il est possible d'ajuster latéralement la base entre 0° et 45° et également la position avant/arrière. Si vous inclinez la base latéralement, retirez d'abord le couvercle anti-poussière.
 - Référez-vous à l'index de chanfrein pour déterminer l'angle.
 - La vis de fixation du guide à refendre doit être située sur le côté opposé de l'outil biseauté.



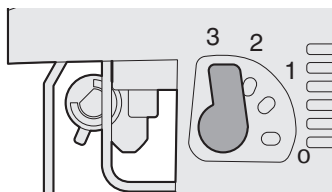
Position de l'orifice d'ajustement de la base	Utilisation prévue
	Découpe normale à angle droit
	Découpe à un angle entre 0° et 45°
	Découpe à un angle de 45°
	Découpe proche de l'extrémité d'un mur

REMARQUE:

Il ne s'agit que d'un guide brut. L'angle de découpe réel sera affecté par des facteurs comme la façon de tenir l'outil contre la surface.

Ajustement du mode de course orbitale

- Ajustez le mode de course orbitale à l'objet à découper.



Position du levier	Mouvement de la lame	Principales applications
0	Vertical seulement	<ul style="list-style-type: none"> • Découpe de métaux durs comme de l'acier • Découpe lisse de matériaux de constructions et de contreplaqué • Découpe autour de courbes étroites
1	Mode de course orbitale basse	<ul style="list-style-type: none"> • Découpe de métaux plus mous comme de l'aluminium et d'autres métaux non ferreux • Découpe de bois dur, de contreplaqué et de plastiques
2	Mode de course orbitale moyenne	<ul style="list-style-type: none"> • Découpe de matériaux relativement mous • Découpe de bois et de panneaux composés • Découpe haute vitesse de l'aluminium et de l'acier doux
3	Mode de course orbitale élevée	<ul style="list-style-type: none"> • Découpe de matériaux mous • Découpe haute vitesse de matériaux comme le bois, les panneaux composés et les plastiques

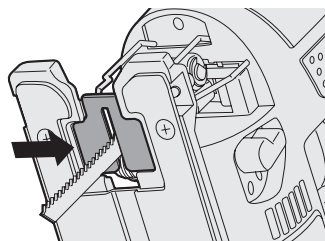
- Si vous souhaitez produire une finition plus propre, réglez le mode de course orbitale à un niveau inférieur.

Plaque anti-éclat

Utilisez la plaque anti-éclat pour réduire les éclats lors de la découpe de bois.

Installation

1. Installez la base à une position à 90 degrés.
2. Placez la plaque anti-éclat sur le dos de la base et poussez-la délicatement pour l'installer.
 - Installez-la de façon à ce que le rebord biseauté de la fente au centre de la plaque anti-éclat soit face à la scie sauteuse.

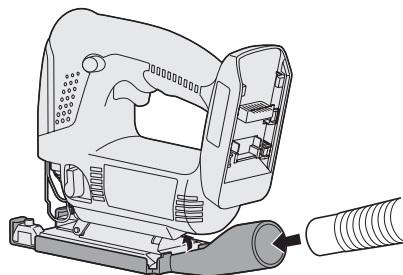


Adaptateur de poussière pour l'aspirateur (EY9H009E) (accessoire facultatif, non inclus)

Vous pouvez utiliser un aspirateur pour ramasser la poussière de découpe durant la découpe.

Installation

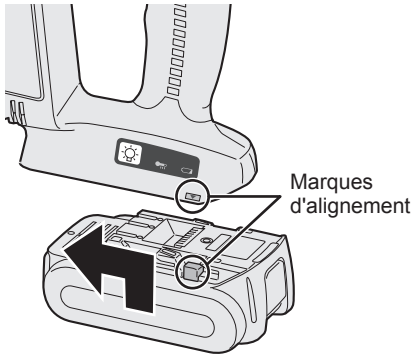
1. Fixez le crochet de l'adaptateur du ramasse-poussière à l'avant de la base.
2. Enclenchez l'arrière pour l'installer.
3. Fixez le tuyau de l'aspirateur.



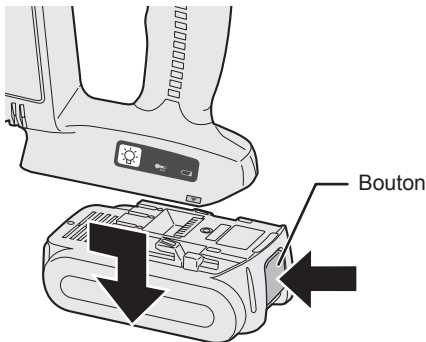
- Il est conseillé d'utiliser un adaptateur de poussière pour réduire les risques d'endommagements de la surface de l'objet durant la découpe.

Fixation ou retrait de la batterie autonome

1. Pour raccorder la batterie autonome: Alignez les marques d'alignement et fixez la batterie autonome.
 - Faites glisser la batterie autonome jusqu'à ce qu'elle se verrouille en position.

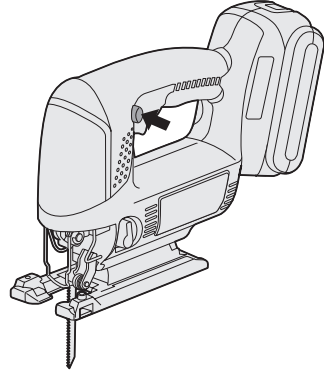


2. Pour retirer la batterie autonome: Appuyez sur le bouton depuis l'avant pour libérer la batterie autonome.



IV. UTILISATION

1. Poussez le levier de verrouillage de l'interrupteur vers le bas, tirez l'interrupteur d'alimentation.
 - La vitesse augmente avec la quantité de dépression de l'interrupteur d'alimentation.



2. Une fois que la découpe est terminée, relâchez l'interrupteur d'alimentation.
3. Vérifiez que la température de la lame a suffisamment baissé et ensuite retirez-la.

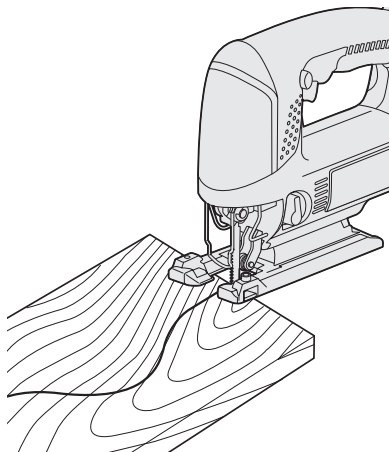
Découpe

REMARQUE:

- Vérifiez qu'il n'y a pas d'obstacles pour couper sous la pièce ouvragée.
- Vérifiez qu'il n'y a pas d'objets tels que des clous dans le matériau à découper. Si la lame entre en contact avec de tels objets durant la découpe, une force de réaction forte sera générée pouvant entraîner des blessures graves.
- Ne placez pas votre main sur l'objet dans le sens de la découpe. Sinon, vous risquez de vous blesser.
- Ne touchez pas la lame de la scie sauteuse aussitôt après la découpe. Sinon, vous risquez de vous brûler.

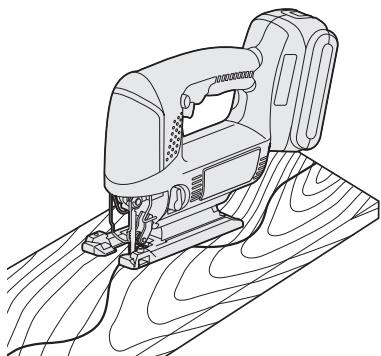
Découpe le long de lignes marquées

1. Placez l'objet à découper sur la base et alignez la lame sur la ligne marquée.
 - Ne placez pas la lame contre l'objet à découper avant de tirer l'interrupteur d'alimentation.



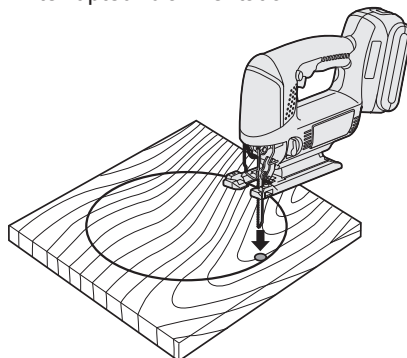
2. Tirez l'interrupteur d'alimentation, attendez jusqu'à ce que la vitesse soit stabilisée, puis placez la base contre l'objet à découper et coupez le long des lignes marquées.

- Lors de la découpe de formes complexes, comme des formes avec beaucoup de petites courbures, réduisez la vitesse de découpe et la vitesse de rotation.



Sciage en plongée

1. Percez un trou dans la section à scier en plongée afin d'y faire passer la lame.
2. Insérez la lame dans le trou sans toucher la pièce ouvragée, puis allumez l'interrupteur d'alimentation.



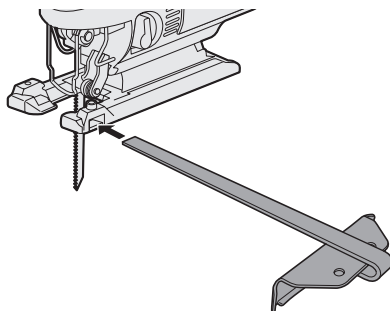
3. Coupez le long de la ligne marquée.

Utilisation d'un guide à refendre (EY9X011E) (accessoire facultatif, non inclus)

Il est possible d'utiliser un guide à refendre pour découper des lignes parallèles et des cercles et des arcs.

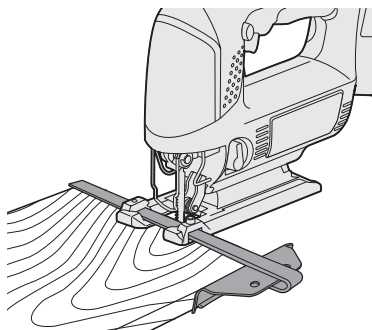
Installation du guide à refendre

1. Desserrez la vis de fixation du guide à refendre.
2. Passez le guide à refendre à travers le montant.
3. Ajustez la position de découpe, puis serrez la vis de fixation.



Découpe à la même épaisseur

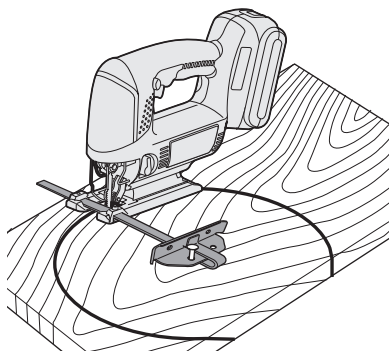
1. Placez la base sur la pièce ouvragée pour que le rebord du guide à refendre et la pièce ouvragée soient ensemble.



2. Sans laisser la lame toucher la pièce ouvragée, allumez l'interrupteur d'alimentation.
3. Placez le guide parallèlement fermement en face de la pièce ouvragée pour couper une ligne parallèle.

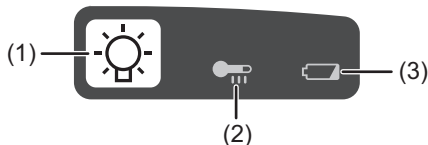
Découpe de cercles

1. Si vous découpez une section, percez un trou sur la pièce ouvragée pour y faire passer la lame de la scie sauteuse.
2. Alignez le trou d'épingle du guide à refendre sur le centre du cercle, puis utilisez un clou ou une vis pour tenir l'objet en place.

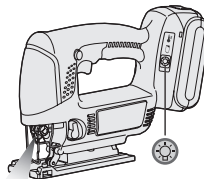


3. Sans toucher la pièce ouvragée, allumez l'interrupteur d'alimentation.
4. Coupez le long de la ligne marquée.

Panneau de commande



(1) Lumière DEL



Avant d'utiliser la lumière DEL, tirez toujours une fois l'interrupteur d'alimentation. Appuyez sur la touche de la lumière DEL . La lumière éclaire avec un courant de très faible intensité qui n'affecte pas négativement la performance de l'outil ou la capacité de la batterie pendant son utilisation.

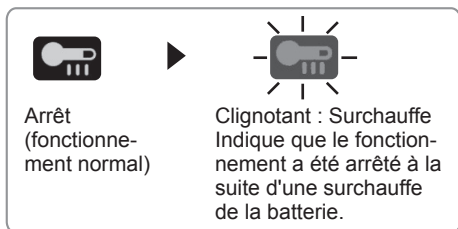
⚠ MISE EN GARDE:

- La lumière DEL incorporée est conçue pour éclairer temporairement la petite zone de travail.
- Ne l'utilisez pas comme remplacement d'une torche normale, elle n'est pas assez lumineuse.
- La lumière DEL s'éteint quand l'outil n'est pas utilisé pendant 5 minutes.

Mise en garde : NE REGARDEZ PAS DIRECTEMENT LE FAISCEAU.

L'utilisation de commandes ou de réglages ou l'exécution de procédures autres que ceux spécifiés dans ce manuel peut entraîner l'exposition à de dangereuses radiations.

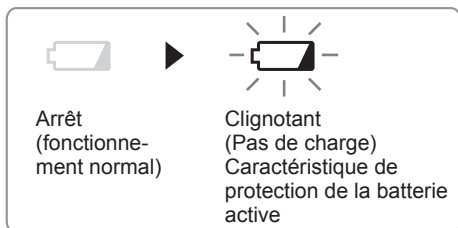
(2) Témoin d'avertissement de surchauffe



La caractéristique de protection contre la surchauffe arrête le fonctionnement de l'outil afin de protéger la batterie autonome en cas de surchauffe. Le témoin d'avertissement de surchauffe clignote sur le panneau de commande lorsque cette caractéristique est active.

- Lorsque la caractéristique de protection contre la surchauffe s'active, laissez l'outil se refroidir complètement (au moins 30 minutes). L'outil est prêt à être utilisé lorsque le témoin d'avertissement de surchauffe s'éteint.
- Évitez d'utiliser l'outil d'une façon qui activerait de façon répétée la caractéristique de protection contre la surchauffe.

(3) Témoin d'avertissement de batterie basse



Une décharge excessive (totale) des batteries aux ions de lithium réduit leur durée de vie de façon notable. L'outil comprend une caractéristique de protection de la batterie conçue pour empêcher une décharge excessive de la batterie autonome.

- La caractéristique de protection de la batterie s'active automatiquement avant que la batterie ne perde sa charge, entraînant le clignotement du témoin d'avertissement de batterie basse.

- Dès que vous remarquez le clignotement du témoin d'avertissement de batterie basse, rechargez immédiatement la batterie autonome.

[Batterie autonome]

Pour une utilisation correcte de la batterie autonome

Batterie autonome Li-ion (EY9L40/EY9L41)

- Pour une longévité optimale de la batterie, rangez la batterie autonome Li-ion sans la charger après l'avoir utilisée.

- Lors de la charge de la batterie autonome, assurez-vous que les bornes du chargeur de batterie sont libres de tout corps étranger comme de la poussière et de l'eau, etc. Nettoyez les bornes avant de la charger si des corps étrangers se trouvent sur les bornes.

La durée de vie des bornes de la batterie autonome peut être affectée par des corps étrangers comme de la poussière et de l'eau, etc. pendant le fonctionnement.

- Lorsque vous n'utilisez pas la batterie autonome, éloignez-la d'autres objets métalliques tels que : trombones, pièces de monnaie, clés, clous, vis et autres petits objets métalliques susceptibles de connecter les bornes entre elles.

Si vous court-circuitiez les bornes de la batterie, vous risquez de causer des étincelles, de vous brûler ou de provoquer un incendie.

- Lors de l'utilisation de la batterie autonome, assurez-vous de la bonne ventilation du lieu de travail.
- Lorsque la batterie autonome est retirée du corps de l'outil, remplacez immédiatement le couvercle de la batterie autonome afin d'empêcher la poussière ou la crasse de contaminer les bornes de la batterie et de provoquer un court-circuit.



Longévité des batteries autonomes

Les batteries rechargeables ont une longévité limitée. Si le temps de fonctionnement devient très court après la recharge, remplacez la batterie autonome par une neuve.

Recyclage de la batterie autonome

ATTENTION:

Pour la protection de l'environnement naturel et le recyclage des matériaux, veillez à mettre la batterie au rebut à un endroit prévu officiellement à cet effet, s'il y en a un dans votre pays.

[Chargeur de batterie] Recharge

Mises en garde pour la batterie autonome Li-ion

- Si la température de la batterie autonome chute au-dessous d'environ -10°C, la charge s'arrête automatiquement pour empêcher la détérioration de la batterie.

Mises en garde communes pour les batteries autonomes Li-ion/Ni-MH/Ni-Cd

- Le niveau de température ambiante moyenne se situe entre 0°C (32°F) et 40°C (104°F). Si la batterie autonome est utilisée alors que sa température est inférieure à 0°C (32°F), l'outil pourrait ne pas fonctionner correctement.
- Lorsqu'une batterie autonome froide (en-dessous de 0°C (32°F)) doit être rechargée dans une pièce chaude, laissez la batterie autonome dans la pièce pendant une heure au moins

et rechargez-la quand elle a atteint la température ambiante.

- Laissez refroidir le chargeur quand vous rechargez plus de deux batteries autonomes à la suite.
- Ne mettez pas vos doigts dans les trous des connecteurs lorsque vous tenez les chargeurs ou à n'importe quelle occasion.

⚠ MISE EN GARDE:

Pour éviter les risques d'incendie ou d'endommagement du chargeur de batterie.

- **N'utilisez pas de source d'alimentation provenant d'un générateur de moteur.**
- **Ne bouches pas les trous d'aération du chargeur et de la batterie autonome.**
- **Débranchez le chargeur lorsque vous ne l'utilisez pas.**

Batterie autonome Li-ion

REMARQUE:

Votre batterie autonome n'est pas complètement chargée au moment de l'achat. Veillez à bien charger complètement la batterie avant son utilisation.

Chargeur de batterie (EY0L80)

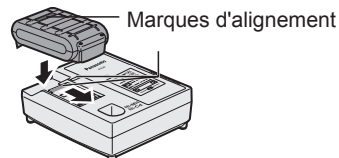
1. Branchez le cordon d'alimentation du chargeur dans une prise secteur.

REMARQUE:

Des étincelles peuvent être produites lorsque la fiche est introduite dans la prise d'alimentation secteur; toutefois, ceci ne pose aucun problème de sécurité.

2. Introduisez soigneusement la batterie autonome dans le chargeur.

1. Alignez les marques d'alignement et placez la batterie dans le poste d'accueil sur le chargeur.
2. Faites glisser vers l'avant dans le sens de la flèche.



3. Pendant la charge, le témoin de charge s'allume.

Lorsque la charge est terminée, un interrupteur électronique s'actionne pour protéger la batterie.

- La charge ne peut pas être réalisée si la batterie autonome est chaude (par exemple, à la suite d'un long travail de perçage).

Le témoin d'attente orange clignote jusqu'à ce que la batterie se soit refroidie.

La charge commence alors automatiquement.

4. Le témoin de charge (vert) clignote lentement dès que la batterie est chargée à environ 80%.

5. Lorsque la charge est terminée, le témoin de charge se met à clignoter rapidement en vert.

6. Lorsque la température de la batterie autonome est de 0 °C ou moins, la batterie autonome prend plus longtemps à charger que la durée standard.

Même lorsque la batterie est complètement chargée, elle n'aura qu'environ 50% de la puissance d'une batterie complètement chargée à une température de fonctionnement normale.

7. Lorsque le témoin d'alimentation ne s'allume pas immédiatement après avoir branché le chargeur, ou si après la durée de charge standard, le témoin de charge ne clignote pas rapidement en vert, consultez un concessionnaire autorisé.

8. Si une batterie complètement chargée est à nouveau insérée dans le chargeur, le témoin de charge s'allume. Après quelques minutes, le témoin de charge risque de clignoter rapidement pour indiquer que la charge est terminée.

Batterie autonome Ni-MH/Ni-Cd

REMARQUE:

Chargez une nouvelle batterie autonome, ou une batterie autonome qui n'a pas été utilisée pendant une période prolongée, pendant 24 heures pour lui redonner sa pleine capacité.

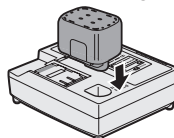
Chargeur de batterie (EY0L80)

1. Branchez le cordon d'alimentation du chargeur dans une prise secteur.

REMARQUE:

Des étincelles peuvent être produites lorsque la fiche est introduite dans la prise d'alimentation secteur; toutefois, ceci ne pose aucun problème de sécurité.

2. Introduisez soigneusement la batterie autonome dans le chargeur.



3. Pendant la charge, le témoin de charge s'allume.

Lorsque la charge est terminée, un interrupteur électronique s'actionne pour protéger la batterie.

- La charge ne peut pas être réalisée si la batterie autonome est chaude (par exemple, à la suite d'un long travail de perçage).

Le témoin d'attente orange clignote jusqu'à ce que la batterie se soit refroidie. La charge commence alors automatiquement.

4. Lorsque la charge est terminée, le témoin de charge se met à clignoter rapidement en vert.

5. Si le témoin de charge ne s'allume pas immédiatement après le branchement du chargeur ou, si après la durée de charge standard, le témoin ne s'éteint pas, consultez un revendeur agréé pour de l'assistance technique.

6. Si une batterie complètement chargée est à nouveau insérée dans le chargeur, le témoin de charge s'allume. Après quelques minutes, le témoin de charge risque de clignoter rapidement pour indiquer que la charge est terminée.

INDICATION DU VOYANT



Allumé en vert
Le chargeur est branché dans la prise secteur.
Prêt pour la charge.



Clignotant rapidement en vert
Chargement terminé. (Pleine charge)



Clignotant en vert
La batterie est chargée à environ 80%. (Charge utile. Li-ion seulement)



Allumé en vert
Chargement en cours.

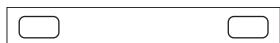


Allumé en orange
La batterie autonome est froide
La batterie autonome est chargée lentement pour réduire l'effort de la batterie. (Li-ion seulement)



Clignotant en orange
La batterie autonome est chaude. La charge commence lorsque la température de la batterie autonome descend.

Lorsque la température de la batterie autonome est de -10°C ou moins, le témoin de l'état de charge (orange) se met également à clignoter. La charge commence lorsque la température de la batterie autonome augmente (Li-ion seulement).



Témoin de l'état de charge
Gauche: vert Droite: orange s'affichent.



Clignotant rapidement en orange et en vert
Impossible de charger. Colmatage par la poussière ou mauvais fonctionnement de la batterie autonome.

Avis aux utilisateurs concernant la collecte et l'élimination des piles et des appareils électriques et électroniques usagés



Apposé sur le produit lui-même, sur son emballage, ou figurant dans la documentation qui l'accompagne, ce pictogramme indique que les piles et appareils électriques et électroniques usagés doivent être séparés des ordures ménagères.



Afin de permettre le traitement, la valorisation et le recyclage adéquats des piles et des appareils usagés, veuillez les porter à l'un des points de collecte prévus, conformément à la législation nationale en vigueur ainsi qu'aux directives 2002/96/CE et 2006/66/CE.



En éliminant piles et appareils usagés conformément à la réglementation en vigueur, vous contribuez à prévenir le gaspillage de ressources précieuses ainsi qu'à protéger la santé humaine et l'environnement contre les effets potentiellement nocifs d'une manipulation inappropriée des déchets.



Pour de plus amples renseignements sur la collecte et le recyclage des piles et appareils usagés, veuillez vous renseigner auprès de votre mairie, du service municipal d'enlèvement des déchets ou du point de vente où vous avez acheté les articles concernés.

Cd

Le non-respect de la réglementation relative à l'élimination des déchets est passible d'une peine d'amende.

Pour les utilisateurs professionnels au sein de l'Union européenne

Si vous souhaitez vous défaire de pièces d'équipement électrique ou électronique, veuillez vous renseigner directement auprès de votre détaillant ou de votre fournisseur.

[Information relative à l'élimination des déchets dans les pays extérieurs à l'Union européenne]

Ce pictogramme n'est valide qu'à l'intérieur de l'Union européenne. Pour connaître la procédure applicable dans les pays hors Union Européenne, veuillez vous renseigner auprès des autorités locales compétentes ou de votre distributeur.

Note relative au pictogramme à apposer sur les piles (voir les 2 exemples ci-contre)

Le pictogramme représentant une poubelle sur roues barrée d'une croix est conforme à la réglementation. Si ce pictogramme est combiné avec un symbole chimique, il remplit également les exigences posées par la Directive relative au produit chimique concerné.

V. ENTRETIEN

Utilisez essentiellement du tissu sec et souple pour essuyer l'outil. N'utilisez pas de tissu humide, dissolvant, benzine ou autres dissolvants volatiles pour le nettoyer.

VI. ACCESSOIRES

⚠ MISE EN GARDE:

- L'utilisation d'accessoires ne figurant pas dans ce manuel peut causer un incendie, un choc électrique ou des blessures corporelles. N'utilisez que les accessoires recommandés.

Lame à métal

- EY9SXMJ0E

Pour tronçonner le métal en général

Lame à bois

- EY9SXWJ0E

Pour tronçonner le bois en général

Lame à cloison sèche

- EY9SXXJ0E

Pour tronçonner la cloison sèche en général

Guide à refendre (Accessoire en option)

- EY9X011E

Pour effectuer commodément les coupes parallèles et les coupes répétées de même largeur.

Adaptateur de poussière pour l'aspirateur (Accessoire en option)

- EY9X009E

VII. CARACTÉRISTIQUES TECHNIQUES

APPAREIL PRINCIPAL

Modèle	EY4541	
Moteur	14,4 V CC	
Épaisseur maximum de la lame montée	1,3 mm (1/16")	
Longueur des courses	20 mm (25/32")	
Courses par minute	0 - 2400 /min	
Capacités maximales de découpe	Bois	65 mm (2-9/16")
	Acier doux	6 mm (1/4")
	Aluminium	10 mm (3/8")
Longueur totale	270 mm (10-5/8")	
Poids (avec batterie: EY9L40)	2,2 kg (4.8 lbs)	
Poids (avec batterie: EY9L41)	2,25 kg (5 lbs)	
Bruit, Vibration	Reportez-vous à la fiche incluse	

BATTERIE AUTONOME

Modèle	EY9L40	EY9L41
Stockage de la batterie	Batterie Li-ion	
Tension de la batterie	14,4 V CC (3,6 V x 4 piles)	
Capacité	3 Ah	3,3 Ah

CHARGEUR DE BATTERIE

Modèle	EY0L80
Puissance nominale	Voir la plaque signalétique se trouvant sur le côté inférieur du chargeur.
Poids	0,95 kg (2.1 lbs)

[Batterie autonome Li-ion]

Durée de chargement	3 Ah	14,4 V	21,6 V	28,8 V
		EY9L40	EY9L60	EY9L80
		Utilisable: 35 min	Utilisable: 45 min	Utilisable: 55 min
		Plein: 50 min.	Plein: 60 min.	Plein: 70 min.
Durée de chargement	3,3 Ah	14,4 V		
		EY9L41		
		Utilisable: 45 min		
		Plein: 60 min.		

[Batterie autonome Ni-MH/Ni-Cd]

Durée de chargement	1,2 Ah	7,2 V	9,6 V	12 V	15,6 V	18 V	24 V
		EY9065	EY9080	EY9001			
		EY9066	EY9086	EY9006			
	20 min.						
	1,7 Ah		EY9180	EY9101			
			EY9182	EY9103			
	25 min.						
	2 Ah	EY9168	EY9188	EY9106	EY9136		EY9116
				EY9107			EY9117
	30 min.						
3 Ah			EY9200	EY9230		EY9210	
	45 min.						
3,5 Ah			EY9201	EY9231	EY9251		
	55 min.						
65 min.							

REMARQUE: Ce tableau peut inclure des modèles non disponibles dans votre région. Veuillez vous reporter au catalogue général le plus récent.

REMARQUE: Pour obtenir le nom et l'adresse du revendeur, veuillez consulter la carte de garantie incluse.



I. USO PREVISTO

Grazie per aver acquistato il seghetto Panasonic. Questo seghetto può essere utilizzato con le batterie ricaricabili Panasonic e assicura eccellenti prestazioni di taglio. Il seghetto è destinato esclusivamente al taglio di metallo, legno e cartongesso.

Leggere il libretto delle istruzioni di sicurezza e quanto segue prima dell'uso.

II. NORME DI SICUREZZA ADDIZIONALI

- 1) **Tenere l'attrezzo mediante le superfici isolanti per la presa quando si esegue un lavoro durante il quale l'attrezzo da taglio potrebbe venire a contatto con cavi nascosti.** Il contatto con un cavo "sotto tensione" renderà le parti metalliche esposte dell'attrezzo "sotto tensione" e questo potrebbe causare una scossa elettrica all'operatore.
- 2) **Utilizzare morsetti o un altro metodo idoneo per assicurare e sostenere il pezzo da lavorare su una base stabile.** Se si sostiene il pezzo da lavorare con le mani o col corpo, esso risulterà instabile e potrà provocare perdita di controllo.
- 3) **Non toccare la lama e la parte da tagliare. Stringere solo le superfici isolanti per la presa.** Se si afferra l'attrezzo con entrambe le mani, sussisterà minor rischio di tagli accidentali.
- 4) **Non tenere mai con le mani o tra le gambe il pezzo da tagliare.** È importante sostenere bene il pezzo di lavoro per ridurre al minimo l'esposizione del corpo o la perdita di controllo.
- 5) **Tenere presente che questo attrezzo è sempre pronto a funzionare, perché non è necessario collegarlo ad una presa di corrente.**
- 6) **Usare sempre occhiali protettivi oppure occhiali con protezioni laterali. Lenti o occhiali da sole NON sono occhiali di sicurezza.**
- 7) **Quando questo attrezzo viene utilizzato per eseguire lavori su legno in uno spazio ristretto (per esempio in un luogo chiuso) mettere una mascherina per proteggersi dalla polvere.**
- 8) **Evitare di tagliare i chiodi. Ispezionare attentamente il pezzo di lavoro per assicurarsi che non ci siano chiodi ed eventualmente rimuoverli prima di iniziare a lavorare.**
- 9) **Non tagliare pezzi di lavoro molto grandi.**
- 10) **Controllare che l'area vicina e intorno al pezzo di lavoro sia libera prima di iniziare a tagliare in modo che la lama non colpisca il pavimento, il banco di lavoro, ecc.**
- 11) **Tenere saldamente l'attrezzo.**
- 12) **Assicurarsi che la lama non sia in contatto con il pezzo di lavoro prima di accendere l'attrezzo.**
- 13) **Non avvicinare le mani alle parti in movimento.**
- 14) **Non toccare la lama o il pezzo di lavoro subito dopo l'operazione di taglio, perché potrebbero essere molto caldi e potreste scottarvi.**
- 15) **Non usare mai due attrezzi contemporaneamente.**
- 16) **Non utilizzare lame deformi o rotte.**
- 17) **Non utilizzare lame non conformi alle caratteristiche specificate in queste istruzioni.**
- 18) **Rimuovere il pacco batteria dal corpo dell'attrezzo prima di sostituire la lama, prima di fare regolazioni oppure eseguire lavori di manutenzione.**
- 19) **Indossare delle protezioni uditive, quando si usa l'attrezzo per un lungo periodo.**

Simbolo	Significato
V	Volt
---	Corrente diretta
n_0	Velocità senza carico
$\dots \text{ min}^{-1}$	Giri o reciprocazioni per minuto
Ah	Capacità elettrica del pacco batteria
	Per ridurre il pericolo di lesioni, è necessario leggere e comprendere il manuale di istruzioni.
	Solo per uso interno.

⚠ AVVERTIMENTO:

- Non utilizzare pacchi batteria diversi da quelli Panasonic, appositamente progettati per l'uso con questo utensile ricaricabile.
- Non smaltire il pacco batteria nel fuoco e non esporlo a eccessi di calore.
- Non introdurre chiodi nel pacco batteria, non sottoporlo a urti, non smontarlo e non tentare di modificarlo.
- Evitare che oggetti metallici entrino a contatto con i terminali del pacco batteria.
- Non trasportare né conservare il pacco batteria nello stesso contenitore in cui sono presenti chiodi o oggetti metallici simili.
- Non ricaricare il pacco batteria in un luogo esposto ad alte temperature, per es. vicino ad un fuoco o alla luce solare diretta. In caso contrario la batteria può surriscaldarsi, prendere fuoco o esplodere.
- Per ricaricare il pacco batteria utilizzare esclusivamente il caricabatteria dedicato. In caso contrario la batteria potrebbe perdere, surriscaldarsi o esplodere.
- Dopo aver rimosso il pacco batteria dall'attrezzo o dal caricabatteria, rimontare sempre il coperchio del pacco batteria. In caso contrario, i contatti della batteria potrebbero andare in cortocircuito, con conseguente rischio d'incendio.

III. MONTAGGIO

⚠ AVVERTIMENTO:

Per ridurre il rischio di lesioni, rimuovere il pacco batterie ogni volta che si cambia la lama.

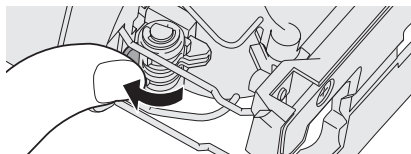
Ispezione prima dell'uso

- La lama del seghetto è applicata correttamente all'oggetto da tagliare?
- Sono stati montati forma e lama dello spessore corretto?
- La lama è fissata in sicurezza?
- La lama è scagliata o rotta?
- Nell'oggetto da tagliare sono presenti corpi estranei?

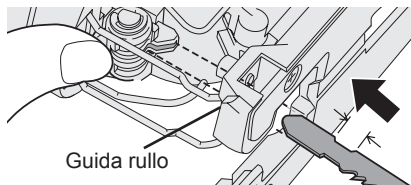
Installazione e rimozione della lama

Installazione

1. Rimuovere eventuali residui di taglio dalla lama e dalla staffa fissaggio lama.
2. Sollevare la leva attacco/rimozione lama.



3. Inserire la lama nella staffa serraggio lama e posizionare la parte posteriore della lama lungo la guida rullo, in modo che la parte posteriore della lama del seghetto scorra lungo la guida rullo.



4. Rilasciare la leva attacco/rimozione lama

- Quando la lama si fissa in sicurezza, la leva ritorna in posizione originale.
- Verificare che la parte posteriore della lama sia in corrispondenza della guida del rullo.

⚠ AVVERTIMENTO:

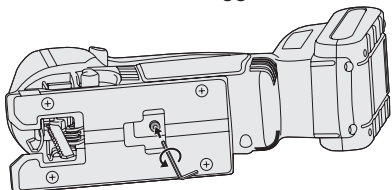
Se la lama non viene inserita bene in fondo, potrebbe venire espulsa inaspettatamente durante l'operazione. Questa condizione può essere molto pericolosa.

Rimozione

1. Sollevare la leva attacco/rimozione lama
2. Estrarre la lama.

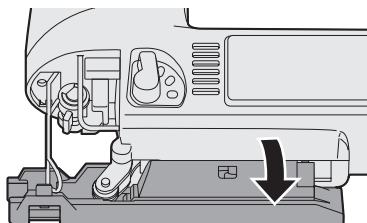
Regolazione della base

1. Utilizzare il chiave esagonale per allentare la vite di fissaggio della base.



2. Spostare la base lungo i fori di allineamento della base per fissarne la posizione. (Vedere il diagramma a destra.)

- La base può essere disposta tra 0° e 45° lateralmente, inoltre è possibile regolare la posizione di avanzamento/retroceSSIONe. Se si inclina la base lateralmente, rimuovere preventivamente la protezione antipolvere.
- Per la determinazione dell'angolazione, fare riferimento alla scala sfalsatura.
- La vite di fissaggio della guida parallela dovrebbe trovarsi sul lato opposto dello strumento.



3. Utilizzare il chiave esagonale per serrare la vite di fissaggio della base.

Posizione della base e scopo d'uso

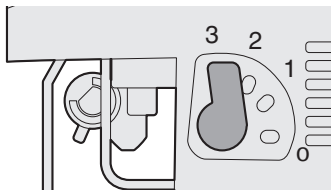
Posizione del foro di regolazione base	Scopo di uso
	Taglio angolare con angolo normale a destra 
	Taglio di un angolo compreso tra 0° e 45° 
	Taglio di un angolo di 45° 
	Taglio vicino alla fine di un muro 

NOTA:

Questa guida è solo indicativa. L'angolo effettivo di taglio sarà influenzato da fattori come l'impugnatura dell'attrezzo rispetto la superficie.

Regolazione della modalità di taglio orbitale

- Regolare la modalità di taglio orbitale in base all'oggetto da tagliare



Posizione leva	Movimento lava	Applicazioni principali
0	 Solo verticale	<ul style="list-style-type: none"> • Taglio di metalli duri come acciaio • Taglio senza interruzioni di materiali di costruzione e controsoffitti • Taglio di curve di dimensioni ridotte
1	 Modalità taglio orbitale ridotto	<ul style="list-style-type: none"> • Taglio di metalli non resistenti come l'alluminio e altri materiali non ferrosi • Taglio di legno, pannelli di compensato e plastica
2	 Modalità taglio orbitale medio	<ul style="list-style-type: none"> • Taglio materiali soffici • Taglio di pannelli in legno e materiale composito • Taglio ad alta velocità di alluminio e acciaio morbido
3	 Modalità taglio orbitale elevata	<ul style="list-style-type: none"> • Taglio materiali soffici • Taglio ad alta velocità di materiali come legno, compensato e plastica

- Se si desidera che la finitura sia meglio definita, impostare la modalità di taglio orbitale su un livello inferiore.

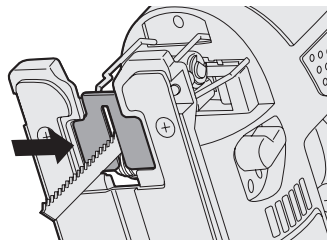
Piastra antischegge

Utilizzare la piastra antischegge per evitare il contatto con le schegge quando si taglia legno.

Installazione

1. Impostare la base sulla posizione di 90 gradi.
2. Inserire la piastra antischegge sul lato inferiore della base, spingerla delicatamente per installarla.

- Installare la base in modo che il margine della fessura rivolta verso il centro della piastra antischegge sia rivolto verso il seghetto.

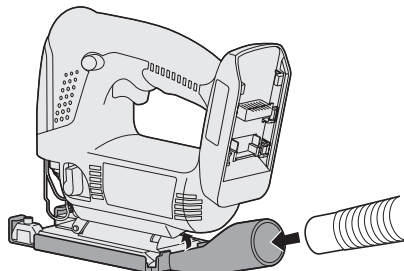


Protezione antipolvere per aspirapolvere (EY9H009E) (disponibile come accessorio, non incluso)

È possibile utilizzare un aspirapolvere per raccogliere i residui del taglio.

Installazione

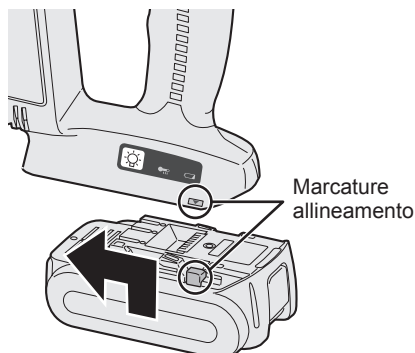
1. Fissare il gancio dell'adattatore raccolta polvere alla parte anteriore della base.
2. Far scattare la parte posteriore per installarla.
3. Fissare il tubo dell'aspirapolvere.



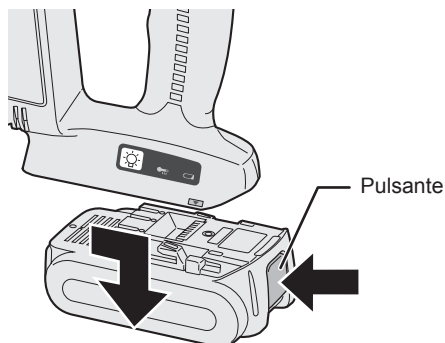
- Si consiglia di utilizzare un adattatore aspirapolvere per ridurre il rischio di danneggiare la superficie dell'oggetto da tagliare.

Applicazione o rimozione del pacco batteria

1. Per collegare il pacco batteria:
Installare il pacco batteria, allineandosi con le marcature.
 - Far scorrere il pacco batteria finché non si blocca in posizione.

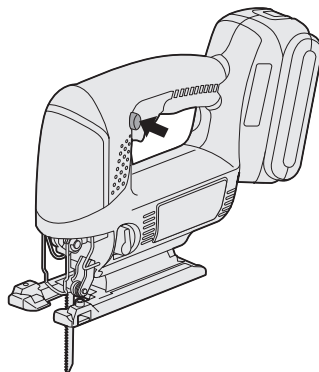


2. Per rimuovere il pacco batteria:
Premere il pulsante sulla parte anteriore per rilasciare il pacco batteria.



IV. FUNZIONAMENTO

1. Spingere in basso la leva blocco interruttore, quindi premere l'interruttore di accensione.
 - La velocità aumenta parallelamente alla quantità di depressione dell'interruttore di accensione.



2. Dopo aver completato il taglio, rilasciare l'interruttore di accensione
3. Verificare che la temperatura della lama sia sufficientemente bassa, quindi rimuovere la lama.

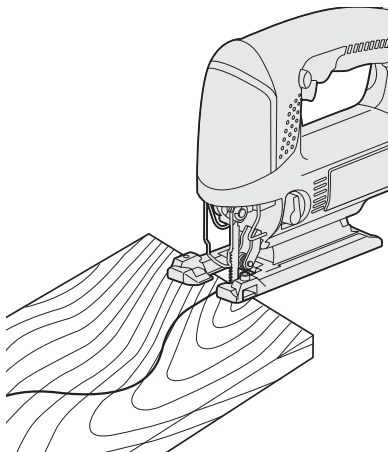
Taglio

NOTA:

- Verificare che al di sotto della superficie del pezzo da lavorare non sussistano ostacoli al taglio.
- Verificare che nel materiale da tagliare non siano presenti corpi estranei come chiodi.
Se la lama entra a contatto con tali oggetti durante il taglio, si genererà una forte forza di reazione che potrebbe provocare gravi lesioni personali.
- Non porre le mani sull'oggetto nella direzione in cui deve svolgersi il taglio.
Se non si osserva questa precauzione, sussiste il rischio di lesioni personali.
- Non toccare la lama del seghetto immediatamente dopo il taglio.
Se non si osserva questa precauzione, sussiste il rischio di ustioni.

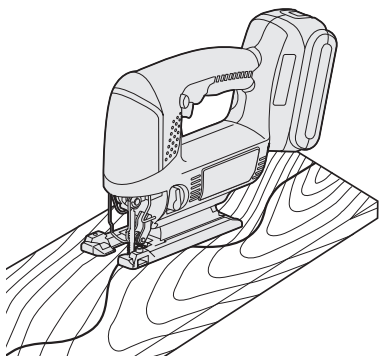
Taglio lungo le marcature

1. Posizionare l'oggetto da tagliare sulla base e allineare la lama alla marcatura.
 - Non fare entrare la lama in contatto con l'oggetto da tagliare prima di aver premuto l'interruttore di accensione.



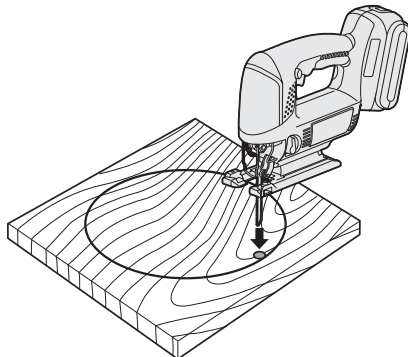
2. Premere l'interruttore, attendere che la velocità si stabilizzi, quindi collocare la base contro l'oggetto da tagliare lungo le marcature.

- Se si tagliano oggetti dalle forme complesse, ad esempio, con molte piccole curve, ridurre la velocità del taglio e di rotazione della lama.



Taglio dal centro

1. Trapanare un foro nella sezione da tagliare dal centro per far passare la lama.
2. Inserire la lama nel foro senza che tocchi il pezzo da lavorare, quindi premere l'interruttore di accensione.



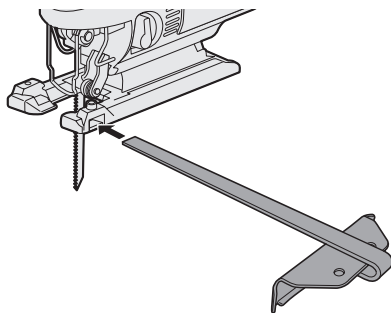
3. Tagliare lungo la marcatura.

Uso della guida parallela (EY9X011E) (disponibile come accessorio opzionale non incluso)

È possibile utilizzare una guida parallela per tagliare linee parallele e cerchi ed archi.

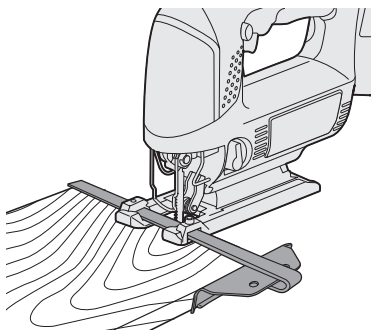
Installazione della guida parallela

1. Allentare la vite di fissaggio della guida parallela.
2. Far passare la guida parallela attraverso l'attacco.
3. Regolare la posizione di taglio e quindi serrare la vite di fissaggio.



Taglio alla stessa larghezza

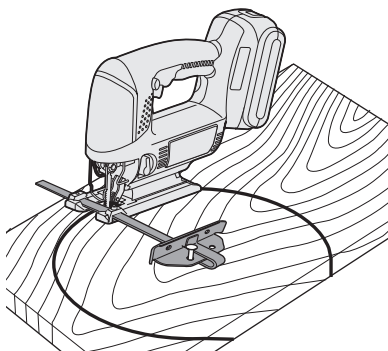
1. Posizionare la base sul pezzo da lavorare in modo che il bordo della guida parallela e il pezzo da lavorare coincidano.



2. Facendo attenzione che la lama non sia già a contatto con il pezzo da lavorare, premere l'interruttore di accensione.
3. Volgere con decisione la guida pezzo verso il pezzo da lavorare per tagliare una linea parallela.

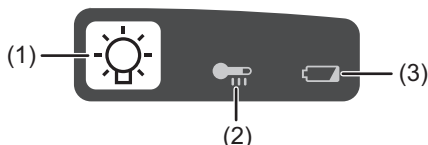
Taglio di cerchi

1. Se si desidera tagliare una sezione, trapanare un foro sul pezzo da lavorare e farvi passare la lama del seghetto.
2. Allineare il foro per perno della guida parallela al centro del cerchio quindi utilizzare un chiodo o una vite per mantenere l'oggetto fermo.

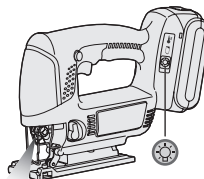


3. Facendo attenzione che la lama non sia già a contatto con il pezzo da lavorare, premere l'interruttore di accensione.
4. Tagliare lungo la marcatura.

Pannello di controllo



(1) Luce LED



Prima dell'uso della luce LED, premere sempre l'interruttore una volta.

Premere  il pulsante della luce LED.

La luce illumina con un consumo minimo e non influenza negativamente la prestazione dell'avvitatore, né la capacità della batteria.

⚠ ATTENZIONE:

- La luce LED incorporata è stata realizzata per l'illuminazione temporanea di un'area di lavoro ridotta.
- Non utilizzarla in sostituzione di una luce normale: la luminosità sarà insufficiente.
- La luce LED si spegne se l'utensile non viene utilizzato per 5 minuti.

Attenzione: NON FISSARE DIRETTAMENTE IL RAGGIO.

L'utilizzo di comandi, regolazioni e l'attuazione di istruzioni diverse da quelle qui riportate potrebbero provocare un'esposizione pericolosa alle radiazioni.

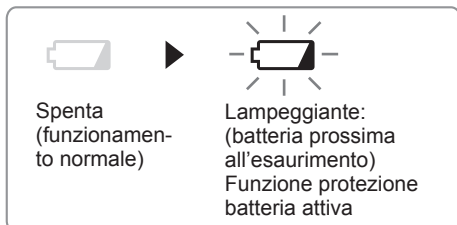
(2) Spia avvertenza surriscaldamento



La funzione di protezione da surriscaldamento interrompe il funzionamento dell'utensile per proteggere il pacco batteria in caso di surriscaldamento. Quando questa funzione è attiva, sul pannello di controllo lampeggia la spia di avvertenza da surriscaldamento.

- Se si attiva la protezione da surriscaldamento, lasciare raffreddare completamente il motore (per almeno 30 minuti). Quando la spia di avvertenza da surriscaldamento si spegne, la batteria sarà pronta per l'uso.
- Evitare l'uso dell'utensile che porti all'attivazione ripetuta della protezione da surriscaldamento.

(3) Spia avvertenza batteria prossima all'esaurimento



Lo scaricarsi eccessivo (completo) delle batterie a ioni di litio riduce drasticamente la loro autonomia. L'utensile è dotato di una funzione di protezione della batteria realizzata per evitare lo scaricarsi eccessivo del pacco batteria.

- La funzione di protezione della batteria si attiva immediatamente prima che la batteria perda la carica, così da far lampeggiare la spia di avvertenza batteria prossima all'esaurimento.
- Se si nota la spia di avvertenza batteria prossima all'esaurimento, caricare immediatamente il pacco batteria.

[Pacco batteria]

Per un uso corretto del pacco batteria

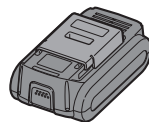
Pacco batteria Li-ion (EY9L40/EY9L41)

- Per una conservazione ottimale della batteria, riporre il pacco batteria agli ioni di litio dopo l'uso senza ricaricarlo.
- Quando il pacco batteria viene caricato, assicurarsi che i terminali sul caricabatteria siano sgombri da sostanze estranee, quali polvere, acqua, ecc. Pulire i terminali prima di caricare il pacco batteria, qualora vengano trovate sostanze estranee sui terminali.
La durata dei terminali del pacco batteria può essere influenzata da sostanze estranee, quali polvere, acqua, ecc. durante il funzionamento.

- Quando il pacco batteria non viene usato, tenerlo lontano da altri oggetti metallici come: clip, monetine, chiavi, chiodi, viti o altri piccoli oggetti metallici che potrebbero creare un collegamento da un terminale all'altro.

Cortocircuitare i terminali del pacco batteria potrebbe causare scintille, ustioni oppure un incendio.

- Quando si usa il pacco batteria, assicurarsi che il luogo di lavoro sia ben ventilato.
- Quando si rimuove il pacco batteria dall'alloggiamento principale dell'utensile, riposizionare immediatamente il coperchio del pacco batteria, onde evitare che polvere e sporcizia contaminino i terminali della batteria e provochino un cortocircuito.



Durata del pacco batteria

Le batterie ricaricabili hanno una durata limitata. Se il tempo di funzionamento diventa estremamente breve dopo la ricarica, sostituire il pacco batteria con uno nuovo.

Riciclo della batteria

ATTENZIONE:

Per ragioni relative alla protezione dell'ambiente e al riciclaggio dei materiali, assicurarsi che lo smaltimento del prodotto avvenga in un luogo ufficialmente preposto a tale fine.

[Caricabatterie]

Ricarica

Avvertenze per il pacco batteria Li-ion

- Se la temperatura del pacco batteria scende al di sotto dei -10°C (14°F) circa, il caricamento s'interrompe automaticamente per evitare la degradazione della batteria.

Avvertenze generiche per il pacco batteria Li-ion/Ni-MH/Ni-Cd

- La temperatura ambientale deve essere compresa tra 0°C (32°F) e 40°C (104°F).
Se il pacco batteria è usato quando la temperatura è al di sotto di 0°C (32°F), l'utensile smetterà di funzionare correttamente.
- Per caricare un pacco batteria freddo (al di sotto di 0°C (32°F)) in un luogo caldo, lasciare il pacco batteria nel locale per oltre un'ora per permettere allo stesso di raggiungere la temperatura ambiente.
- Lasciare raffreddare il caricatore quando si caricano più di due pacchi batterie consecutivamente.
- Non infilare le dita nel foro di contatto per tenere in mano il caricabatterie o altro scopo.

⚠ ATTENZIONE:

Onde evitare il rischio d'incendio o il danneggiamento del caricabatteria:

- **Non utilizzare energia fornita da un generatore a motore.**
- **Non coprire le prese d'aria del caricabatteria e del pacco batteria.**
- **Scollegare il caricabatteria se non in uso.**

Pacco batteria Li-ion

NOTA:

Al momento dell'acquisto, il pacco batteria non è carico. Assicurarsi di caricare la batteria prima dell'uso.

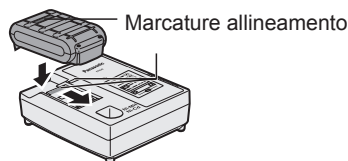
Caricabatterie (EY0L80)

1. Collegare il caricatore alla presa di corrente.

NOTA:

L'inserimento della spina nella presa di corrente c.a. potrebbe provocare delle scintille, ma questo non è un problema in termini di sicurezza.

2. Inserire saldamente il pacco batteria nel caricabatteria.
 1. Allineare le marcature e collocare la batteria nel raccordo del caricatore.
 2. Far scorrere nella direzione indicata dalla freccia.



3. Durante la ricarica, la spia di caricamento si accende.
Quando la ricarica è stata completata, l'interruttore elettronico interno scatta automaticamente per evitare la sovraccarica.
 - La ricarica non avviene se il pacco batteria è caldo (per esempio, subito dopo l'uso per un lavoro pesante).
La spia di standby arancione lampeggia mentre la batteria si sta raffreddando.
La ricarica quindi comincia automaticamente.

4. La spia di carica (verde) lampeggia lentamente quando la batteria è carica per l'80% circa.
5. Quando la batteria è completamente carica, la spia di caricamento lampeggia rapidamente in verde.
6. Se la temperatura del pacco batteria raggiunge 0°C o meno, il tempo di ricarica è maggiore rispetto al tempo di ricarica normale.
Anche a batteria completamente carica, l'utensile dispone di circa il 50% dell'energia di cui dispone una batteria carica alla temperatura di esercizio normale.

7. Qualora la spia di accensione non si dovesse accendere immediatamente dopo il collegamento del caricatore o qualora, trascorso il tempo di ricarica normale, la spia di caricamento non dovesse lampeggiare rapidamente in verde, si prega di rivolgersi ad un rivenditore autorizzato.
8. Se un pacco batteria completamente ricaricato viene inserito di nuovo nel caricabatteria, la spia di caricamento si illumina. Dopo alcuni minuti la spia di caricamento inizierà a lampeggiare rapidamente per indicare che il caricamento è completato.

Pacco batteria Ni-MH/Ni-Cd

NOTA:

Se si deve caricare un pacco batteria per la prima volta o un pacco batteria che non è stato usato per un periodo prolungato, caricarlo per circa 24 ore per riportare la batteria alla sua piena capacità.

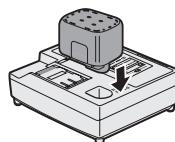
Caricabatterie (EY0L80)

1. Collegare il caricatore alla presa di corrente.

NOTA:

L'inserimento della spina nella presa di corrente c.a. potrebbe provocare delle scintille, ma questo non è un problema in termini di sicurezza.

2. Inserire saldamente il pacco batteria nel caricabatteria.



3. Durante la ricarica, la spia di caricamento si accende.
Quando la ricarica è stata completata, l'interruttore elettronico interno scatta automaticamente per evitare la sovraccarica.
 - La ricarica non avviene se il pacco batteria è caldo (per esempio, subito dopo l'uso per un lavoro pesante).
La spia di standby arancione lampeggia mentre la batteria si sta raffreddando. La ricarica quindi comincia automaticamente.
4. Quando la batteria è completamente carica, la spia di caricamento lampeggia rapidamente in verde.
5. Se la spia di caricamento non si accende immediatamente dopo aver collegato il caricabatteria oppure se la spia non si spegne al termine del caricamento standard, rivolgetevi ad un rivenditore autorizzato.
6. Se un pacco batteria completamente ricaricato viene inserito di nuovo nel caricabatteria, la spia di caricamento si illumina. Dopo alcuni minuti la spia di caricamento inizierà a lampeggiare rapidamente per indicare che il caricamento è completato.

SEGNALI SPIE



Luce verde
Il caricatore è stato collegato alla presa CA.
E' pronto per il caricamento.



Luce verde lampeggiante rapida
Il caricamento è completato. (Carica completa)



Luce verde lampeggiante
Batteria carica all'80% circa (Carica utilizzabile. Solo Li-ion)



Luce verde
In fase di caricamento.

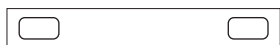


Luce arancione
Pacco batteria freddo.
La ricarica del pacco batteria avviene lentamente per ridurre il peso sulla batteria (solo Li-ion).



Luce arancione lampeggiante
Il pacco batteria è caldo. Il caricamento avrà inizio appena la temperatura del pacco batteria sarà scesa.

Qualora la temperatura del pacco batteria raggiunga i -10°C o meno, anche la spia di ricarica arancione inizia a lampeggiare. La ricarica inizia quando la temperatura del pacco batteria aumenta (solo Li-ion).



Spia stato ricarica
Sinistra: verde Destra: arancione



Luce arancione e verde lampeggianti rapide
Non è possibile effettuare il caricamento. Il pacco batteria è impolverato o guasto.

Informazioni per gli utenti sulla raccolta e l'eliminazione di vecchie apparecchiature e batterie usate



Questi simboli sui prodotti, sull'imballaggio, e/o sulle documentazioni o manuali accompagnanti i prodotti indicano che i prodotti elettrici, elettronici e le batterie usate non devono essere buttati nei rifiuti domestici generici.



Per un trattamento adeguato, recupero e riciclaggio di vecchi prodotti e batterie usate, vi preghiamo di portarli negli appositi punti di raccolta, secondo la legislazione vigente nel vostro Paese e le Direttive 2002/96/EC e 2006/66/EC.



Smaltendo correttamente questi prodotti e le batterie, contribuirete a salvare importanti risorse e ad evitare i potenziali effetti negativi sulla salute umana e sull'ambiente che altrimenti potrebbero verificarsi in seguito ad un trattamento inappropriato dei rifiuti.



Per ulteriori informazioni sulla raccolta e sul riciclaggio di vecchi prodotti e batterie, vi preghiamo di contattare il vostro comune, i vostri operatori per lo smaltimento dei rifiuti o il punto vendita dove avete acquistato gli articoli.

Cd

Sono previste e potrebbero essere applicate sanzioni qualora questi rifiuti non siano stati smaltiti in modo corretto ed in accordo con la legislazione nazionale.

Per utenti commerciali nell'Unione Europea

Se desiderate eliminare apparecchiature elettriche ed elettroniche, vi preghiamo di contattare il vostro commerciante od il fornitore per maggiori informazioni.

[Informazioni sullo smaltimento rifiuti in altri Paesi fuori dall'Unione Europea]

Questi simboli sono validi solo all'interno dell'Unione Europea. Se desiderate smaltire questi articoli, vi preghiamo di contattare le autorità locali od il rivenditore ed informarvi sulle modalità per un corretto smaltimento.

Nota per il simbolo delle batterie (esempio con simbolo chimico riportato sotto il simbolo principale):

Questo simbolo può essere usato in combinazione con un simbolo chimico; in questo caso è conforme ai requisiti indicati dalla Direttiva per il prodotto chimico in questione.

V. MANUTENZIONE

Usare solo un panno morbido asciutto per pulire l'unità. Non usare panni umidi, solventi, benzina o altre sostanze volatili per la pulizia.

VI. ACCESSORI

⚠ ATTENZIONE:

- L'uso di accessori non specificati in questo manuale può provocare incendi, scosse elettriche o lesioni personali. Utilizzare solo gli accessori consigliati.

Lama per metallo

- EY9SXMJ0E

Per tagliare il metallo in generale

Lama per legno

- EY9SXWJ0E

Per tagliare il legno in generale

Lama per cartongesso

- EY9SXXJ0E

Per tagliare il cartongesso in generale

Guida parallela (Accessorio opzionale)

- EY9X011E

Per riparare squarci e tagli ripetuti della stessa larghezza.

Protezione antipolvere per aspirapolvere (Accessorio opzionale)

- EY9X009E

VII. SPECIFICHE

UNITÀ PRINCIPALE

Modello	EY4541	
Motore	14,4 V CC	
Spessore massimo della lama	1,3 mm (1/16")	
Lunghezza dei colpi	20 mm (25/32")	
Colpi per minuto	0 - 2400 /min	
Capacità massima di taglio	Legno	65 mm (2-9/16")
	Acciaio morbido	6 mm (1/4")
	Alluminio	10 mm (3/8")
Lunghezza totale	270 mm (10-5/8")	
Peso (con il pacco batteria: EY9L40)	2,2 kg (4.8 lbs)	
Peso (con il pacco batteria: EY9L41)	2,25 kg (5 lbs)	
Rumore, Vibrazioni	Vedere il foglio accluso	

PACCO BATTERIA

Modello	EY9L40	EY9L41
Accumulatore	Batteria Li-ion	
Tensione batteria	CC 14,4V (3,6 V x 4 celle)	
Capacità	3 Ah	3,3 Ah

CARICABATTERIA

Modello	EY0L80
Valori nominali	Vedere la targhetta dei valori nominali sul fondo del caricabatteria.
Peso	0,95 kg (2.1 lbs)

[Pacco batteria Li-ion]

Tempo di caricamento	3 Ah	14,4 V	21,6 V	28,8 V
		EY9L40	EY9L60	EY9L80
		Utilizzabile: 35 min.	Utilizzabile: 45 min.	Utilizzabile: 55 min.
		Completa: 50 min.	Completa: 60 min.	Completa: 70 min.
Tempo di caricamento	3,3 Ah	14,4 V		
		EY9L41		
		Utilizzabile: 45 min.		
		Completa: 60 min.		

[Pacco batteria Ni-MH/Ni-Cd]

Tempo di caricamento	1,2 Ah	7,2 V	9,6 V	12 V	15,6 V	18 V	24 V
		EY9065 EY9066	EY9080 EY9086	EY9001 EY9006			
	20 min.						
	1,7 Ah		EY9180 EY9182	EY9101 EY9103			
	25 min.						
	2 Ah	EY9168	EY9188	EY9106 EY9107 EY9108	EY9136		EY9116 EY9117
	30 min.						60 min.
3 Ah			EY9200 EY9230			EY9210	
			45 min.			90 min.	
3,5 Ah			EY9201 EY9231	EY9251			
			55 min.		65 min.		

NOTA: Questa tabella può includere modelli non disponibili, a seconda dell'area geografica. Fare riferimento al catalogo generale più recente.

NOTA: Per il nome e l'indirizzo del rivenditore, consultare la scheda di garanzia acclusa.



I. GEBRUIKSDOEL

Dank u voor de aanschaf van de Panasonic decoupeerzaag. Deze decoupeerzaag kan gebruikt worden met Panasonic oplaadbare batterijen voor het verkrijgen van uitstekende zaagprestaties. De decoupeerzaag is enkel geschikt voor het zagen van metaal, hout en gipsplaat.

Lees voor gebruik het boekje "Veiligheidsinstructies" en ook de onderstaande opmerkingen.

II. AANVULLENDE VELIGHEIDS- VOORSCHRIFTEN

- 1) **Houd het gereedschap bij de geïsoleerde grepen vast bij het uitvoeren van werkzaamheden waarbij het zaagblad in contact zou kunnen komen met verborgen bedrading.** Bij contact met bedrading die onder spanning staat zullen de blootgestelde metalen delen van het gereedschap ook onder spanning komen te staan met een elektrische schok voor de persoon die het gereedschap bedient tot gevolg.
- 2) **Gebruik klemmen of een andere praktische manier om het werkstuk vast te zetten en met een stevige ondergrond te ondersteunen.** Door het werkstuk met uw hand of tegen uw lichaam gedrukt vast te houden blijft dit onstabiel en kan dit tot verlies van controle leiden.
- 3) **Houd uw handen uit de buurt van het zaaggedeelte en het zaagblad. Pak altijd de geïsoleerde gedeelten vast.** Als u met beide handen het gereedschap vasthoudt, kunnen deze niet door het zaagblad verwond worden.
- 4) **Houd het werkstuk nooit in uw handen en leg het ook niet op uw benen.** Het is belangrijk dat het werkstuk goed wordt ondersteund om aanraking met het lichaam of verlies van controle te voorkomen.
- 5) **Houd er rekening mee dat dit gereedschap altijd bedrijfsklaar is, aangezien dit niet in een stopcontact gestoken hoeft te worden.**
- 6) **Draag altijd gezichtsbescherming of een veiligheidsbril met zijkleppen. Een normale bril of zonnebril is GEEN veiligheidsbril.**
- 7) **Wanneer dit gereedschap wordt gebruikt voor het bewerken van hout in een gesloten ruimte (binnenshuis), moet u altijd een stofmasker dragen.**
- 8) **Vermijd tegen spijkers aan te stoten. Controleer het werkstuk op spijkers en verwijder deze voordat u begint.**
- 9) **Gebruik het gereedschap niet voor een werkstuk dat te groot is.**
- 10) **Controleer of er voldoende vrije ruimte rondom het werkstuk is voordat u begint, zodat het zaagblad niet tegen de vloer, werkbank e.d. stoot.**
- 11) **Houd het gereedschap stevig vast.**
- 12) **Zorg dat het zaagblad niet in contact is met het werkstuk voordat u het gereedschap inschakelt.**
- 13) **Houd uw handen uit de buurt van de bewegende onderdelen.**
- 14) **Raak het zaagblad en het werkstuk niet meteen na het werken aan; de onderdelen kunnen heet zijn en u zou zich kunnen verbranden.**
- 15) **Beweeg het gereedschap nooit heen en weer.**
- 16) **Gebruik geen zaagbladen die vervormd of gescheurd zijn.**
- 17) **Gebruik geen zaagbladen die niet voldoen aan de specificaties die in deze handleiding zijn vermeld.**
- 18) **Neem de accu uit het gereedschap voordat u het zaagblad vervangt, afstellingen uitvoert of andere onderhoudswerkzaamheden verricht.**
- 19) **Draag oorbeschermers wanneer u het apparaat gedurende langere tijd achtereen gebruikt.**

Symbol	Betekenis
V	Volt
---	Gelijkstroom
n ₀	Onbelast
... min ⁻¹	Omwentelingen of toeren per minuut
Ah	Elektrische capaciteit van de accu
	Om het risico van letsel te verminderen, dient de gebruiker de gebruiksaanwijzing te lezen en ter kennis te nemen.
	Alleen voor gebruik binnenshuis.

⚠ WAARSCHUWING:

- Gebruik uitsluitend Panasonic-accu's die bestemd zijn voor gebruik met dit oplaadbare gereedschap.
- Accu's niet verbranden of aan extreme hitte blootstellen.
- Accu's niet doorboren met voorwerpen als spijkers, niet blootstellen aan harde schokken, niet demonteren en niet wijzigen.
- Laat geen metalen voorwerpen in contact komen met de aansluitingen van de accu.
- De accu niet opbergen of vervoeren in dezelfde verpakking als spijkers of vergelijkbare metalen voorwerpen.
- De accu niet opladen bij grote hitte, zoals naast een vuur of in direct zonlicht. De accu kan hierdoor oververhit raken, in brand vliegen of exploderen.
- Gebruik uitsluitend de bijbehorende lader voor het opladen van de accu. De accu kan anders gaan lekken, oververhit raken of exploderen.
- Bevestig altijd het accudeksel nadat u de accu van het gereedschap of de acculader hebt losgemaakt. Het is anders mogelijk dat de accupolen kortgesloten worden met mogelijk brand tot gevolg.

III. MONTAGE

⚠ WAARSCHUWING:

Haal de accu altijd uit het gereedschap alvorens het zaagblad te verwisselen om de kans op letsel te verminderen.

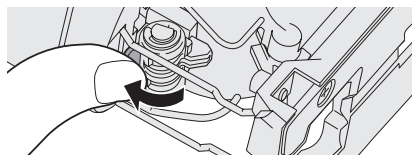
Inspectie voor gebruik

- Is het juiste decoupeerzaagblad bevestigd voor het voorwerp dat u wilt zagen?
- Is een zaagblad gemonteerd met de juiste opsteekdiameter en dikte?
- Controleer of het blad stevig bevestigd is.
- Controleer of het blad gebarsten of gebroken is.
- Controleer of er zich geen vreemde voorwerpen bevinden in het voorwerp dat u wilt zagen.

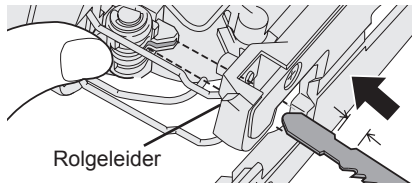
Installeren en verwijderen van het zaagblad

Installatie

1. Veeg al het zaagsel van het zaagblad en de zaagbladklemsteun.
2. Til de hendel voor het bevestigen/verwijderen van het zaagblad omhoog.



3. Steek het zaagblad in de zaagbladklem en plaats de achterkant van het zaagblad zodanig langs de rolgeleider dat de achterkant van het decoupeerzaagblad langs de rolgeleider glijdt.



4. Laat de hendel voor het bevestigen of verwijderen van het zaagblad los.

- Wanneer het zaagblad op zijn plaats is bevestigd, zal de hendel naar zijn uitgangspositie terugkeren.
- Controleer dat de achterkant van het zaagblad in de gleuf van de rolgeleider zit.

3. Gebruik de zeskantsleutel om de voetplaatbevestigingsschroef vast te draaien.

⚠ WAARSCHUWING:

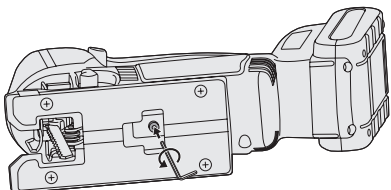
Als u het zaagblad niet ver genoeg naar binnen steekt, kan het zaagblad tijdens het gebruik plotseling naar buiten komen. Dit kan in een bijzonder gevaarlijke situatie resulteren.

Verwijderen

1. Til de hendel voor het bevestigen/verwijderen van het zaagblad omhoog.
2. Trek het zaagblad naar buiten.

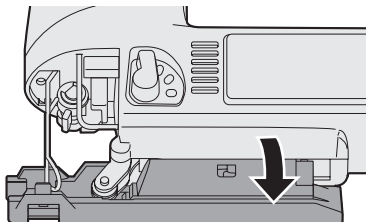
Afstellen van de voetplaat

1. Gebruik de zeskantsleutel om de voetplaatbevestigingsschroef los te draaien.



2. Verplaatst de voetplaat langs de voetplaatafstelopening om de positie in te stellen. (Zie schema rechts.)

- De voetplaat kan tussen 0° en 45° in zijdelingse richting afgesteld worden en de voorwaartse/achterwaartse positie kan ook afgesteld worden. Als de voetplaat schuin opzij wordt gezet, eerst de stofkap verwijderen.
- Zie de schuine-index voor het bepalen van de hoek.
- De parallelaanslagbevestigingsschroef moet geplaatst worden aan de zijde tegenover welke het gereedschap schuin gezet wordt.



Positie van voetplaat en gebruiksdoel

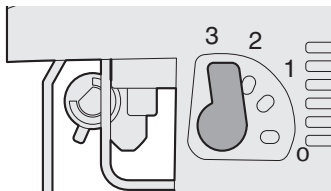
Positie van voetplaatafstelgat	Gebruiksdoel
	Normaal rechthoekig zagen
	Zagen met een hoek tussen 0° en 45°
	Zagen met een hoek van 45°
	Zagen dichtbij het uiteinde van een muur

OPMERKING:

Dit is slechts een algemene richtlijn. De werkelijke hoek van de zaagsnede wordt beïnvloed door factoren zoals de wijze waarop het gereedschap tegen het oppervlak wordt gehouden.

Afstellen van de pendelslagstand

- Stel de pendelslagstand af op het voorwerp dat u gaat zagen.



Hendelpositie	Beweging van zaagblad	Hoofdtoepassingen
0	<p>Enkel verticaal</p>	<ul style="list-style-type: none"> • Zagen van harde metalen zoals staal • Soepel zagen van bouwmaterialen en triplex platen • Zagen rond kleine bochten
1	<p>Laagste pendel-slagstand</p>	<ul style="list-style-type: none"> • Zagen van zachtere metalen zoals aluminium en overige non-ferrometalen • Zagen van hardhout, triplex platen en kunststof
2	<p>Middelste pendel-slagstand</p>	<ul style="list-style-type: none"> • Zagen van tamelijk zachte materialen • Zagen van hout en vezelplaten • Zagen met hoge snelheid van aluminium en zacht staal
3	<p>Hoogste pendel-slagstand</p>	<ul style="list-style-type: none"> • Zagen van zachte materialen • Zagen met hoge snelheid van materialen zoals hout, vezelplaten en kunststof

- Als u een fijnere afwerking wilt hebben, de pendelslagstand lager instellen.

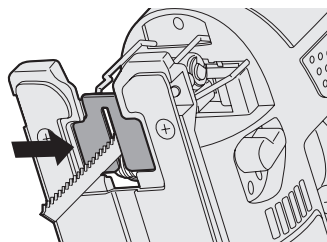
Anti-splinterplaat

Gebruik de anti-splinterplaat om bij het zagen van hout splinteren te verminderen.

Installatie

1. Stel de voetplaat in de 90 graden positie af.
2. Plaats de anti-splinterplaat aan de onderzijde van de voetplaat en duw deze voorzichtig op zijn plaats.

- Installeer zo dat de afgeschuinde zijde van de gleuf in het midden van de anti-splinterplaat in de richting van de decoupeerzaag wijst.

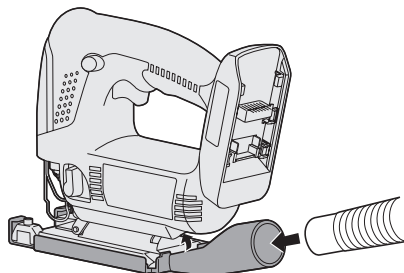


Stofadapter voor stofzuiger (EY9H009E) (Beschikbaar als accessoire, niet meegeleverd)

U kunt een stofzuiger gebruiken voor het verzamelen van zaagstof tijdens het zagen.

Installatie

1. Bevestig de haak van de stofverzamelingsadapter aan de voorzijde van de voetplaat.
2. Klik voor installeren de achterzijde vast.
3. Bevestig de slang van de stofzuiger.



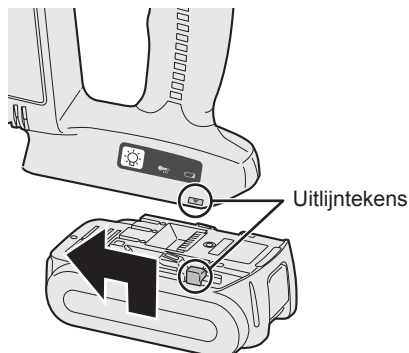
- Het wordt aanbevolen een stofadap-ter te gebruiken om het risico van be-schadiging van het oppervlak van het te zagen voorwerp te verminderen.

Bevestigen of verwijderen van de accu

1. Bevestigen van de accu:

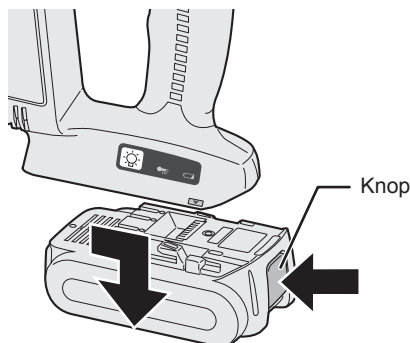
Zet de uitlijntekens tegenover elkaar en bevestig de accu.

- Schuif de accu op het gereedschap totdat deze op de plaats vastklikt.



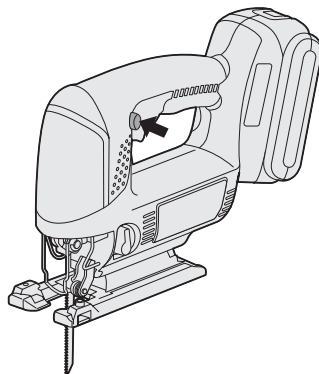
2. Verwijderen van de accu:

Duw vanaf de voorkant tegen de knop om de accu los te maken.



IV. GEBRUIK

1. Duw de schakelaarvergrendelhendel naar beneden en trek aan de hoofdschakelaar.
 - De snelheid neemt toe naarmate de hoofdschakelaar verder wordt ingedrukt.



2. Laat de hoofdschakelaar los wanneer u met het zagen gereed bent.
3. Controleer of de temperatuur van het zaagblad voldoende gedaald is en verwijder dan het zaagblad.

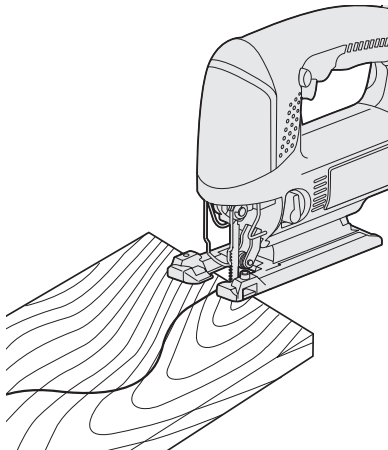
Zagen

OPMERKING:

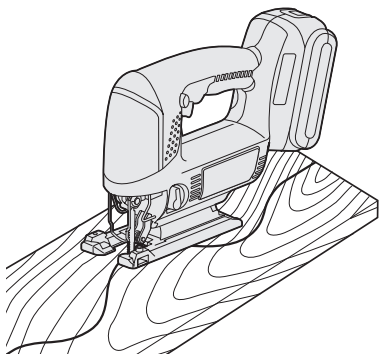
- Controleer of er zich geen obstakels bevinden onder het voorwerp dat u wilt zagen.
- Controleer of er geen voorwerpen zoals spijkers zitten in het materiaal dat u wilt zagen.
Als het zaagblad tijdens het zagen in aanraking komt met dergelijke voorwerpen, wordt er een sterke tegenkracht opgewekt en bestaat de kans op ernstig letsel.
- Plaats uw hand niet op het voorwerp in de richting waarin u gaat zagen.
Als dit niet in acht wordt genomen, bestaat de kans op letsel.
- Raak het decoupeerzaagblad niet aan onmiddellijk na het zagen.
Als dit niet in acht wordt genomen, bestaat de kans op brandwonden.

Zagen langs gemarkeerde lijnen

1. Plaats het voorwerp dat u wilt zagen op de voet en lijn het zaagblad uit met de gemarkeerde lijn.
 - Raak het voorwerp dat u gaat zagen niet met het zaagblad aan alvorens aan de hoofdschakelaar te trekken.

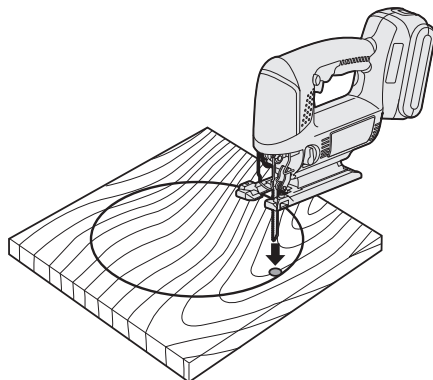


2. Trek aan de hoofdschakelaar, wacht totdat de snelheid gestabiliseerd is en plaats dan de voetplaat tegen het voorwerp dat u gaat zagen en zaag langs de gemarkeerde lijnen.
 - Bij het zagen van complexe vormen zoals vormen met veel kleine bochten, de zaagsnelheid en de draaisnelheid verminderen.



Maken van uitsnijdingen

1. Boor een gat in het gedeelte waar u de uitsnijding wilt maken om er het zaagblad doorheen te kunnen steken.
2. Steek het zaagblad in het gat zonder het werkstuk te raken en schakel dan de hoofdschakelaar in.



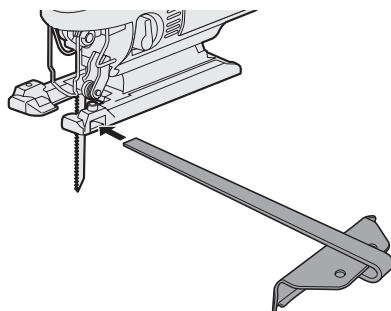
3. Zaag langs de gemarkeerde lijn.

Gebruik van een parallelaanslag (EY9X011E) (Beschikbaar als accessoire, niet meegeleverd)

Een parallelaanslag kan worden gebruikt voor het zagen van evenwijdige lijnen en voor het zagen van cirkels en bogen.

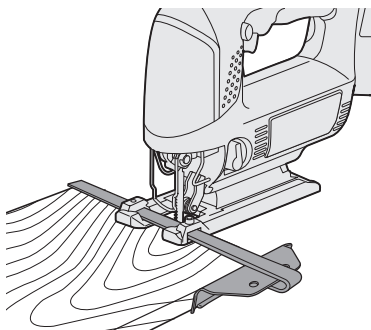
Installeren van de parallelaanslag

1. Draai de parallelaanslagbevestigingsschroef los.
2. Steek de parallelaanslag door de montagesteun.
3. Stel de zaagpositie af en draai dan de bevestigingsschroef vast.



Zagen met dezelfde breedte

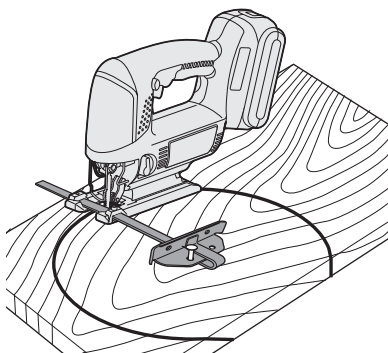
1. Plaats de voetplaat op het werkstuk zodat de rand van de parallelaanslag en het werkstuk bij elkaar komen te staan.



2. Let er op dat het zaagblad het werkstuk niet raakt en zet de hoofdschakelaar aan.
3. Zet de parallelaanslag stevig op het werkstuk en zaag in evenwijdige lijn.

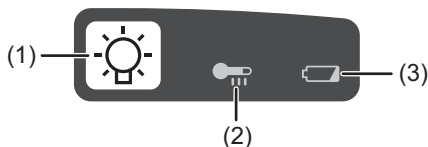
Zagen van cirkels

1. Als u een gedeelte wegzaagt, een gat in het werkstuk boren om het decoupeerzaagblad doorheen te steken.
2. Lijn het pengat van de parallelaanslag uit met het midden van de cirkel en gebruik dan een spijker of schroef om het voorwerp op zijn plaats te houden.

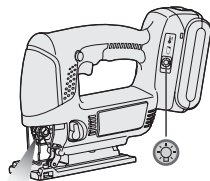


3. Let er op dat het zaagblad het werkstuk niet raakt en zet de hoofdschakelaar aan.
4. Zaag langs de gemarkeerde lijn.

Bedieningspaneel



(1) LED-lampje



Alvorens het LED-lampje te gebruiken, altijd eenmaal de hoofdschakelaar aantrekken. Druk  op de LED lampje knop. Het lampje verbruikt erg weinig stroom en zal de prestatie van het gereedschap en de capaciteit van de accu niet nadelig beïnvloeden.

⚠ OPGELET:

- Het ingebouwde LED-lampje is slechts bedoeld om het werkgebied kortstondig te verlichten.
- Gebruik het lampje niet als vervanging voor een normale zaklantaarn, want het licht is niet sterk genoeg.
- Het LED-lampje wordt uitgeschakeld wanneer het gereedschap gedurende 5 minuten niet is gebruikt.

Opgelet: KIJK NIET RECHTSTREEKS IN DE LICHTSTRAAL.

Ander gebruik van de bedieningsorganen, andere afstellingen of procedures dan hier beschreven kunnen leiden tot blootstelling aan gevaarlijke straling.

(2) Oververhitting-waarschuingslampje



Uit
(normale
werking)



Knippert: Oververhitting
De werking van het
gereedschap is gestopt
omdat de accu te heet is
geworden.

De oververhitting-beveiligingsfunctie zorgt ervoor dat het gereedschap stopt wanneer de accu te heet wordt. Het oververhitting-waarschuingslampje op het bedieningspaneel knippert wanneer deze beveiligingsfunctie is geactiveerd.

- Wanneer de oververhitting-beveiligingsfunctie is geactiveerd, moet u het gereedschap goed laten afkoelen (minstens 30 minuten). De accu kan weer gebruikt worden wanneer het oververhitting-waarschuingslampje uitgaat.
- Zorg ervoor dat u het gereedschap niet zodanig gebruikt dat de oververhitting-beveiligingsfunctie veelvuldig in werking treedt.

(3) Waarschuingslampje voor lage accuspanning



Uit
(normale
werking)



Knippert
(Accu is ontladen)
De accu-
beveiligingsfunctie is
geactiveerd.

Buitensporige (volledige) ontlading van een lithium-ion accu heeft een zeer nadelige invloed op de levensduur van de accu. Het gereedschap is uitgerust met een accu-beveiligingsfunctie om buitensporige ontlading van de accu te voorkomen.

- De accu-beveiligingsfunctie wordt geactiveerd meteen voordat de accu ontladen is en zorgt ervoor dat het waarschuingslampje voor lage accuspanning begint te knipperen.
- Als u ziet dat het waarschuingslampje voor lage accuspanning knippert, moet u de accu meteen opladen.

[Accu]

Voor een juist gebruik van de accu

Li-ion accu (EY9L40/EY9L41)

- Voor een optimale levensduur van de Li-ion accu moet u de accu na gebruik opbergen zonder dat u deze oplaadt.
- Kijk bij het laden van de accu of de aansluitingen op de acculader vrij zijn van vreemde bestanddelen zoals stof en water, enz. Reinig de aansluitingen als u vreemde bestanddelen op de aansluitingen aantreft.

De levensduur van de accu-aansluitingen kan tijdens gebruik nadelig beïnvloed worden door vreemde bestanddelen zoals stof en water, enz.

- Wanneer de accu niet wordt gebruikt, dient u deze uit de buurt van metalen voorwerpen te houden zoals paperclips, munten, sleutels, spijkers, schroeven of andere kleine metalen voorwerpen die de aansluitpunten van de accu met elkaar in contact kunnen brengen.

Wanneer de aansluitpunten van de accu worden kortgesloten, kan dit resulteren in vonken, brandwonden of zelfs brand.

- Zorg er bij gebruik van de accu voor dat de werkplaats goed geventileerd is.
- Wanneer de accu van het gereedschap wordt losgemaakt, moet u meteen het accudeksel op de accu aanbrengen om te voorkomen dat er stof en vuil op de accu-aansluitingen komt waardoor er kortsluiting kan ontstaan.



Levensduur van de accu

De levensduur van oplaadbare accu's is beperkt. U dient een nieuwe accu aan te schaffen indien de gebruikstijd na de accu geladen te hebben aanzienlijk korter wordt.

Recyclen van de accu

ATTENTIE:

Om het milieu te beschermen en nogmaals bruikbare materialen te recyclen, dient u de accu naar een officieel erkend inzamelpunt voor chemisch afval te brengen.

Li-ion accu EY9L40/EY9L41

Bij dit product zijn batterijen geleverd. Wanneer deze leeg zijn, moet u ze niet weggooiden maar inleveren als KCA.



[Acculader] Opladen

Belangrijke informatie voor Li-ion accu's

- Als de temperatuur van de accu onder ongeveer -10°C komt, zal het laden automatisch stopgezet worden om beschadiging van de accu te voorkomen.

Algemene voorzorgsmaatregelen betreffende de Li-ion/Ni-MH/Ni-Cd accu

- De optimale omgevingstemperatuur is tussen 0°C (32°F) en 40°C (104°F). Als de accu wordt gebruikt terwijl de temperatuur van de accu lager is dan 0°C (32°F), kan het voorkomen dat het elektrisch gereedschap niet goed functioneert.
- Laat een koude accu (kouder dan 0°C (32°F)), voordat deze wordt opgeladen in een warme omgeving, eerst minimaal een uur in deze ruimte liggen om op temperatuur te komen.

- Laat de lader afkoelen wanneer u meer dan twee accu's na elkaar oplaadt.
- Steek uw vingers niet in de contactopening wanneer u de lader vastpakt.

⚠ OPGELET:

Om brandgevaar en beschadiging van de acculader te voorkomen.

- **Gebruik geen stroom van een motorgenerator.**
- **Voorkom dat de ventilatiegaten van de lader en de accu worden bedekt.**
- **Maak de acculader los wanneer deze niet wordt gebruikt.**

Li-ion accu

OPMERKING:

De accu is niet volledig opgeladen wanneer u deze koopt. Laad de accu daarom voor gebruik op.

Acculader (EY0L80)

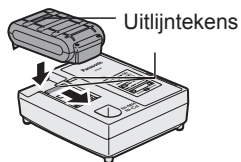
1. Steek de lader in een stopcontact.

OPMERKING:

Wanneer de stekker in het stopcontact wordt gestoken, kunnen er vonken ontstaan, maar dit is niet gevaarlijk.

2. Plaats de accu goed in de lader.

1. Zet de uitlijntekens tegenover elkaar en plaats de accu in de houder op de acculader.
2. Schuif de accu in de richting van de pijl naar voren.



3. De laadindicator licht op tijdens het laden. Wanneer de accu is geladen, wordt automatisch een interne elektronische schakeling geactiveerd die voorkomt dat de accu wordt overladen.

- Wanneer de accu warm is, zal deze niet worden opgeladen (bijvoorbeeld direct na intensief gebruik). De oranje standby-indicator knippert tot de accu is afgekoeld. Vanaf dat moment wordt de accu automatisch opnieuw geladen.

4. De laadindicator (groen) knippert langzaam wanneer de accu ongeveer 80% is opgeladen.
5. Wanneer het opladen is voltooid, zal de laadindicator snel groen gaan knipperen.
6. Als de temperatuur van de accu minder dan 0°C is, zal het volledig opladen van de accu langer duren dan de standaard oplaadtijd.
Zelfs nadat de accu volledig is opgeladen, zal deze in dit geval slechts ongeveer 50% van het accuvermogen hebben in vergelijking met een accu die bij normale bedrijfstemperatuur volledig is opgeladen.
7. Als de spanningsindicator niet meteen oplicht nadat de acculader op een stopcontact is aangesloten of als de laadindicator niet snel groen knippert nadat de standaard oplaadtijd is verstreken, moet u contact opnemen met een officieel onderhoudscentrum.
8. Als een volledig opgeladen accu opnieuw in de acculader wordt geplaatst, zal de laadindicator oplichten. Na enkele minuten kan de laadindicator snel gaan knipperen om aan te geven dat het opladen is voltooid.
3. De laadindicator licht op tijdens het laden.
Wanneer de accu is geladen, wordt automatisch een interne elektronische schakeling geactiveerd die voorkomt dat de accu wordt overladen.
 - Wanneer de accu warm is, zal deze niet worden opgeladen (bijvoorbeeld direct na intensief gebruik).
De oranje standby-indicator knippert tot de accu is afgekoeld. Vanaf dat moment wordt de accu automatisch opnieuw geladen.
4. Wanneer het opladen is voltooid, zal de laadindicator snel groen gaan knipperen.
5. Als de laadindicator niet meteen oplicht nadat de acculader op een stopcontact is aangesloten of als de laadindicator niet snel groen knippert nadat de standaard oplaadtijd is verstreken, moet u contact opnemen met een officieel onderhoudscentrum.
6. Als een volledig opgeladen accu opnieuw in de acculader wordt geplaatst, zal de laadindicator oplichten. Na enkele minuten kan de laadindicator snel gaan knipperen om aan te geven dat het opladen is voltooid.

Ni-MH/Ni-Cd accu

OPMERKING:

Laad een nieuwe accu, of een accu die u voor een lange tijd niet heeft gebruikt, ca. 24 uur op voor het verkrijgen van een optimale gebruikstijd.

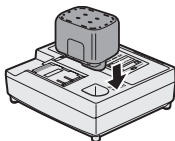
Acculader (EY0L80)

1. Steek de lader in een stopcontact.

OPMERKING:

Wanneer de stekker in het stopcontact wordt gestoken, kunnen er vonken ontstaan, maar dit is niet gevaarlijk.

2. Plaats de accu goed in de lader.



LAMPINDICATIES



Brandt groen
Lader is aangesloten op een stopcontact.
Klaar om op te laden.



Knippert snel groen
Opladen voltooid. (Volledig opgeladen.)



Knippert groen
De accu is ongeveer 80% opgeladen. (Voldoende opgeladen. Alleen Li-ion.)



Brandt groen
Bezig met opladen.



Brandt oranje
De accu is koud.
De accu wordt langzaam opgeladen om de belasting van de accu te verminderen. (Alleen Li-ion.)



Knippert oranje
De accu is warm. Het opladen zal beginnen wanneer de temperatuur van de accu is gedaald.

Als de temperatuur van de accu -10°C of minder is, zal de laadstatusindicator (oranje) ook gaan knipperen. Het opladen begint wanneer de temperatuur van de accu hoger wordt. (Alleen Li-ion.)



Laadstatusindicator
Links: groen Rechts: oranje wordt getoond.



Knippert snel oranje en groen
Opladen is niet mogelijk. Stof op de accu of accu defect.

Informatie voor gebruikers betreffende het verzamelen en verwijderen van oude uitrustingen en lege batterijen



Deze symbolen op de producten, verpakkingen, en/of begeleidende documenten betekenen dat gebruikte elektrische en elektronische producten en batterijen niet met het algemene huishoudelijke afval gemengd mogen worden. Voor een correcte behandeling, recuperatie en recyclage van oude producten en lege batterijen moeten zij naar de bevoegde verzamelpunten gebracht worden in overeenstemming met uw nationale wetgeving en de Richtlijnen 2002/96/EC en 2006/66/EC.



Door deze producten en batterijen correct te verwijderen draagt u uw steentje bij tot het beschermen van waardevolle middelen en tot de preventie van potentiële negatieve effecten op de gezondheid van de mens en op het milieu die anders door een onvakkundige afvalverwerking zouden kunnen ontstaan.



Voor meer informatie over het verzamelen en recyclen van oude producten en batterijen, gelieve contact op te nemen met uw plaatselijke gemeente, uw afvalverwijderingsdiensten of de winkel waar u de goederen gekocht hebt.

Voor een niet-correcte verwijdering van dit afval kunnen boetes opgelegd worden in overeenstemming met de nationale wetgeving.

Voor zakengebruikers in de Europese Unie

Indien u elektrische en elektronische uitrusting wilt verwijderen, neem dan contact op met uw dealer voor meer informatie.

[Informatie over de verwijdering in andere landen buiten de Europese Unie]

Deze symbolen zijn enkel geldig in de Europese Unie. Indien u wenst deze producten te verwijderen, neem dan contact op met uw plaatselijke autoriteiten of dealer, en vraag informatie over de correcte wijze om deze producten te verwijderen.

Opmerking over het batterijensymbool (beneden twee voorbeelden):

Dit symbool kan gebruikt worden in verbinding met een chemisch symbool. In dat geval wordt de eis, vastgelegd door de Richtlijn voor de betrokken chemische producten vervuld.

V. ONDERHOUD

Gebruik alleen een droge, zachte doek om de machine af te vegen. Gebruik geen vochtige doek, witte spiritus, benzine of andere sterke oplosmiddelen voor het reinigen.

VI. ACCESSOIRES

⚠ OPGELET:

- Het gebruik van andere dan de in deze handleiding beschreven accessoires kan leiden tot brand, elektrische schok of persoonlijk letsel. Gebruik uitsluitend de aanbevolen accessoires.

Metaalzaagblad

- EY9SXMJ0E

Voor het snijden van metaal in het algemeen

Houtzaagblad

- EY9SXWJ0E

Voor het snijden van hout in het algemeen

Gipsplaatzaagblad

- EY9SXXJ0E

Voor het snijden van gipsplaat in het algemeen

Parallelaanslag (Optioneel accessoire)

- EY9X011E

Voor gebruik bij parallel snijden en herhaald maken van sneden met dezelfde breedte.

Stofadapter voor stofzuiger (Optioneel accessoire)

- EY9X009E

VII. TECHNISCHE GEGEVENS

HOOFDEENHEID

Model	EY4541	
Motor	14,4 V gelijkstroom	
Max. dikte van te monteren zaagblad	1,3 mm (1/16")	
Lengte van slag	20 mm (25/32")	
Aantal slagen per minuut	0 - 2400 /min	
Maximum zaagcapaciteit	Hout	65 mm (2-9/16")
	Zacht metaal	6 mm (1/4")
	Aluminium	10 mm (3/8")
Totale lengte	270 mm (10-5/8")	
Gewicht (met accu: EY9L40)	2,2 kg (4,8 lbs)	
Gewicht (met accu: EY9L41)	2,25 kg (5 lbs)	
Geluid, Trillingen	Zie het ingesloten sheet	

ACCU

Model	EY9L40	EY9L41
Soort accu	Li-ion accu	
Accuspanning	14,4 V gelijkstroom (3,6 V x 4 cellen)	
Capaciteit	3 Ah	3,3 Ah

ACCULADER

Model	EY0L80
Toelaatbaar vermogen	Zie het specificatieplaatje op de onderkant van de acculader.
Gewicht	0,95 kg (2,1 lbs)

[Li-ion accu]

Laadtijd	3 Ah	14,4 V	21,6 V	28,8 V
		EY9L40	EY9L60	EY9L80
		Bruikbaar: 35 min.	Bruikbaar: 45 min.	Bruikbaar: 55 min.
		Vol: 50 min.	Vol: 60 min.	Vol: 70 min.

Laadtijd	3,3 Ah	14,4 V		
		EY9L41		
		Bruikbaar: 45 min.		
		Vol: 60 min.		

[Ni-MH/Ni-Cd accu]

Laadtijd	1,2 Ah	7,2 V	9,6 V	12 V	15,6 V	18 V	24 V
		EY9065 EY9066	EY9080 EY9086	EY9001 EY9006			
			20 min.				
	1,7 Ah		EY9180 EY9182	EY9101 EY9103			
			25 min.				
	2 Ah	EY9168	EY9188	EY9106 EY9107 EY9108	EY9136		EY9116 EY9117
			30 min.				60 min.
3 Ah			EY9200 EY9230			EY9210	
		45 min.				90 min.	
3,5 Ah			EY9201 EY9231	EY9251			
		55 min.			65 min.		

OPMERKING: In deze tabel zijn mogelijk modellen opgenomen die niet in de handel verkrijgbaar zijn.
Zie de meest recente algemene catalogus.

OPMERKING: Zie de ingesloten garantiekaart voor de naam en het adres van de dealer.



I. USO PREVISTO

Gracias por comprar la sierra Panasonic. Esta sierra se puede usar con baterías recargables Panasonic para brindar un excelente rendimiento de corte. Esta sierra sirve solamente para cortar metal, madera y pared de yeso.

Lea el libro de "Instrucciones de seguridad" y lo siguiente antes de utilizar.

II. REGLAS DE SEGURIDAD ADICIONALES

- 1) Sujete la herramienta por las superficies de empuñadura aisladas cuando haga una operación en la que la herramienta de corte pueda entrar en contacto con un cableado oculto. Un contacto con un cable "con corriente" hará que las partes de metal expuestas de la herramienta "tengan corriente" y produzca una descarga en el operador.
- 2) Use abrazaderas u otros medios prácticos para asegurar y soportar la pieza de trabajo sobre una plataforma estable. Sujetar la pieza con la mano o contra su cuerpo no brinda estabilidad y puede llevar a la pérdida de control.
- 3) Mantenga sus manos lejos del área de corte y de la cuchilla. Mantenga las superficies de empuñadura aisladas. Si ambas manos sujetan la herramienta, no podrán ser cortadas por la cuchilla.
- 4) Nunca sujete la pieza que está cortando con su mano ni la apoye sobre su pierna. Es importante sujetar el trabajo correctamente para reducir la exposición de su cuerpo o la pérdida de control.
- 5) Tenga en cuenta que esta herramienta está siempre lista para entrar en funcionamiento, dado que no necesita enchufarse a ninguna toma eléctrica.
- 6) Utilice siempre gafas o anteojos de seguridad con blindado lateral. Los anteojos comunes o para sol NO son anteojos de seguridad.
- 7) Cuando se utiliza esta herramienta para trabajar en madera en un lugar cerrado (por ejemplo en interiores), utilice una máscara contra polvo.
- 8) Evite cortar clavos. Inspeccione el taller por clavos y sáquelos antes de empezar el trabajo.
- 9) No corte una pieza de trabajo demasiado grande.
- 10) Verifique que la separación sea la adecuada más allá de la pieza de trabajo antes de cortar para que la cuchilla no golpee el piso, banco de taller, etc.
- 11) Sujete firmemente la herramienta.
- 12) Asegúrese de que la cuchilla no está en contacto con la pieza de trabajo antes de activar el interruptor.
- 13) Mantenga sus manos lejos de piezas móviles.
- 14) No toque la cuchilla o pieza de trabajo inmediatamente después de la operación; puede estar muy caliente y quemar su piel.
- 15) Nunca balancee la herramienta.
- 16) No utilice cuchillas deformadas o partidas.
- 17) No utilice cuchillas que no cumplan con las características especificadas en estas instrucciones.
- 18) Retire la batería del cuerpo de la herramienta antes de cambiar la cuchilla, hacer ajustes o algún trabajo de mantenimiento.
- 19) Utilice protectores auditivos cuando deba usar la herramienta por períodos prolongados.

Símbolo	Significado
V	Voltios
---	Corriente continua
n_0	Velocidad sin carga
... min ⁻¹	Revoluciones o reciprocaciones por minuto
Ah	Capacidad eléctrica de la batería
	Para reducir el riesgo de lesiones el usuario debe leer y comprender el manual de instrucciones.
	Sólo para uso en interiores.

⚠ ADVERTENCIA:

- Utilice siempre las baterías Panasonic diseñadas para su uso con esta herramienta recargable.
- No tire la batería al fuego ni la exponga a temperaturas elevadas.
- No perforo la batería con clavos o algo similar, ni la golpee, la desmonte ni intente modificarla.
- Evite el contacto de los terminales de la batería con objetos metálicos.
- No transporte ni guarde la batería en el mismo lugar que clavos u objetos metálicos similares.
- No cargue la batería en un ambiente con altas temperaturas, por ejemplo al lado de un fuego o bajo la luz directa del sol. De no ser así, la batería podría sobrecalentarse, incendiarse o explotar.
- Utilice siempre el cargador diseñado para tal fin para cargar la batería. De no ser así, la batería podría presentar fugas, sobrecalentarse o explotar.
- Después de extraer el paquete de baterías de la herramienta o el cargador, siempre reinstale la cubierta del paquete. De otra manera, los contactos de la batería podrían ser cortados, causando el riesgo de fuego.

III. MONTAJE

⚠ ADVERTENCIA:

Para reducir el riesgo de lesiones, siempre remueva la batería antes de cambiar la cuchilla.

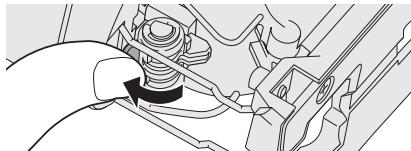
Inspección antes del uso

- ¿Se ha colocado la cuchilla de sierra correcta para el objeto que se va a cortar?
- ¿Se ha montado la forma y el grosor correcto de vástago ?
- Verifique si la cuchilla está fijada firmemente
- Verifique si la cuchilla está fisurada o rota.
- Verifique que no hayan objetos extraños en el objeto que se va a cortar

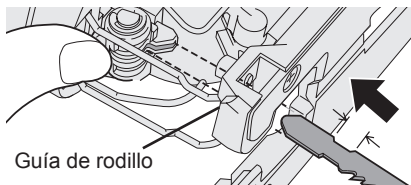
Instalación y remoción de la cuchilla

Instalación

1. Elimine el polvo de corte de la cuchilla y el soporte de la abrazadera de la cuchilla.
2. Levante la palanca de conexión / remoción de cuchilla



3. Inserte la hoja en la ménsula de la abrazadera de la hoja y coloque la parte de atrás de la hoja a lo largo de la guía de rodillo de manera que la parte de atrás de la hoja de calado se deslice a lo largo de la guía de rodillo.



4. Suelte la palanca de conexión / remoción de cuchilla.

- Cuando la cuchilla quede asegurada en el lugar entonces la palanca volverá a su posición original.
- Verifique que la parte trasera de la cuchilla se asiente en la ranura en la guía de rodillo.

⚠ **ADVERTENCIA:**

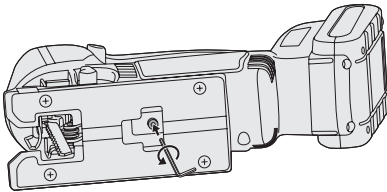
Si no inserta la cuchilla de la sierra lo suficientemente profunda, la cuchilla de la sierra puede salirse inesperadamente durante el funcionamiento. Esto puede ser muy peligroso.

Remoción

1. Levante la palanca de conexión / remoción de cuchilla.
2. Extraiga la cuchilla.

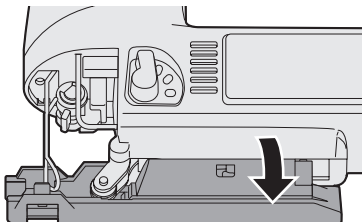
Ajuste de la base

1. Use la llave hexagonal para aflojar el tornillo de fijación de la base.



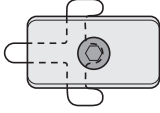
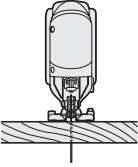
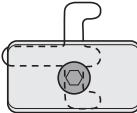
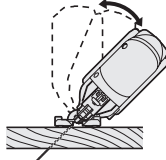
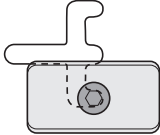
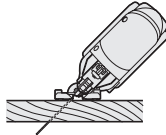
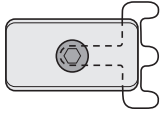
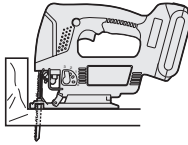
2. Mueva la base a lo largo del orificio de ajuste de base para ajustar su posición. (Consulte el diagrama a la derecha.)

- La base se puede ajustar entre 0° y 45° lateralmente y también se puede ajustar la posición delantera / trasera. Si está inclinando la base lateralmente remueva primero la cubierta anti-polvo.
- Consulte el índice de bisel para determinar el ángulo.
- El tornillo de fijación de alineador de aserrado se debería colocar sobre el lado opuesto al que la herramienta está inclinada.



3. Use la llave hexagonal para apretar el tornillo de fijación de la base.

Posición de la base y propósito de uso

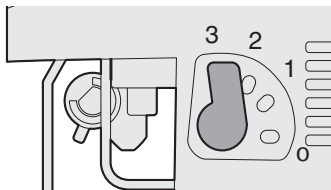
Posición del orificio de ajuste de base	Propósito de uso
	Corte de ángulo recto normal 
	Corte con un ángulo entre 0° y 45° 
	Corte con un ángulo de 45° 
	Corte cercano al final de una pared. 

NOTA:

Esta es solamente una guía aproximada. El ángulo real del corte será afectado por factores tales como el modo en que se mantiene la herramienta contra la superficie.

Ajuste del modo de recorrido orbital

- Ajuste el modo de recorrido orbital al objeto que desea cortar.



Posición de la palanca	Movimiento de la cuchilla	Aplicaciones principales
0	 Sólo vertical	<ul style="list-style-type: none"> • Corte de metales duros tales como acero • Corte uniforme de materiales de construcción y tablas de contrachapado • Corte alrededor de curvas pequeñas
1	 Modo de corte orbital bajo	<ul style="list-style-type: none"> • Corte de metales suaves tales como aluminio y otros metales no ferrosos. • Corte de madera dura, tablas de contrachapado y plásticos
2	 Modo de recorrido orbital mediano	<ul style="list-style-type: none"> • Corte de materiales bastante suaves • Corte de madera y tablas compuestas • Corte de alta velocidad de aluminio y acero suave
3	 Modo de recorrido orbital alto	<ul style="list-style-type: none"> • Corte de materiales suaves • Corte de alta velocidad de materiales tales como madera, tablas compuestas y plásticos

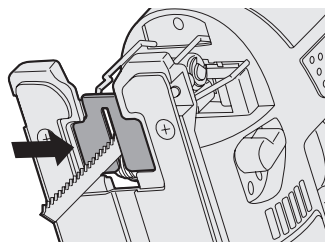
- Si desea obtener una terminación más fina, ajuste el modo de recorrido orbital a un nivel inferior.

Placa anti-astillado

Use la placa anti-astillado para reducir el astillado mientras corta madera.

Instalación

1. Ajuste la base en la posición de 90 grados.
2. Coloque la placa anti-astillado en la parte inferior de la base, y empuje suavemente para que se instale.
 - Instale de manera que el borde biselado de la ranura en el medio de la placa anti-astillado quede mirando hacia la sierra.

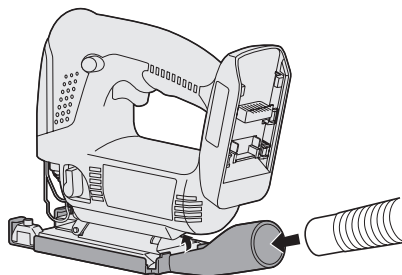


Adaptador colector de polvo para aspiradora (EY9H009E) (Disponible como accesorio, no incluida)

Puede usar una aspiradora para recoger el polvo de corte mientras está cortando.

Instalación

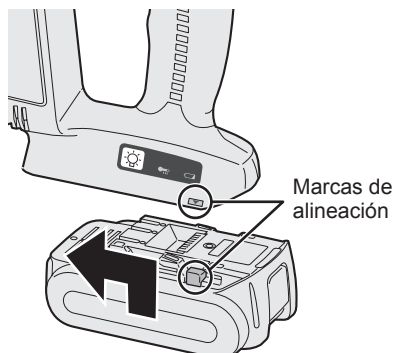
1. Coloque el gancho del adaptador colector de polvo al frente de la base.
2. Encaje la parte trasera para instalarlo.
3. Coloque la manguera de la aspiradora.



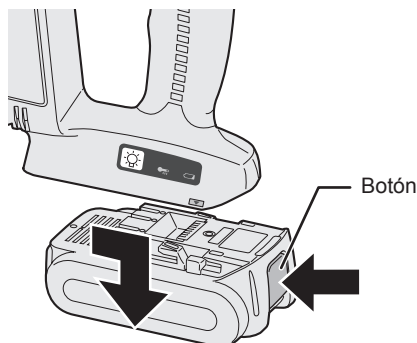
- Se recomienda usar un adaptador colector de polvo para reducir el riesgo de dañar la superficie del objeto que está cortando.

Colocación y extracción de la batería

1. Para conectar la batería:
Alinee las marcas de alineación y coloque las baterías.
 - Deslice la batería hasta que se bloquee en su posición.

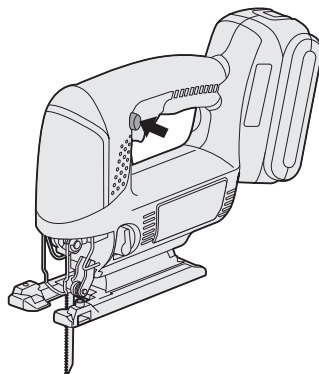


2. Para extraer la batería:
Presione el botón desde el frente para soltar la batería.



IV. FUNCIONAMIENTO

1. Empuje la palanca de bloqueo de interruptor hacia abajo, jale el interruptor de alimentación.
 - La velocidad aumenta con la presión del interruptor de alimentación.



2. Una vez terminado el corte, suelte el interruptor de alimentación.
3. Verifique que la temperatura de la cuchilla haya bajado lo suficiente, y luego extraiga la cuchilla.

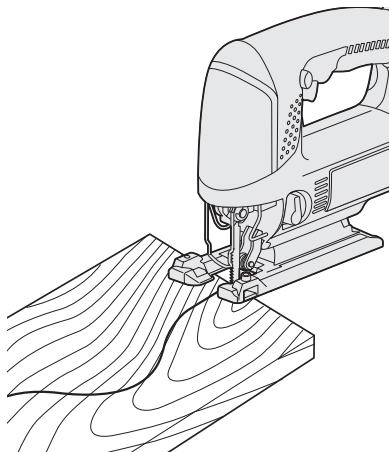
Cortado

NOTA:

- Verifique que no hayan obstáculos para cortar debajo de la pieza a trabajar.
- Verifique que no hayan objetos extraños tales como clavos en el material que se va a cortar.
Si la cuchilla entra en contacto con tales objetos durante el cortado, se generará una reacción fuerte y podrían ocurrir lesiones severas.
- No coloque su mano en el objeto en la dirección que va a tener lugar el corte.
Si esto no se observa, existe riesgo de lesiones.
- No toque la cuchilla de la sierra inmediatamente después del corte.
Si esto no se observa, podrían ocurrir quemaduras.

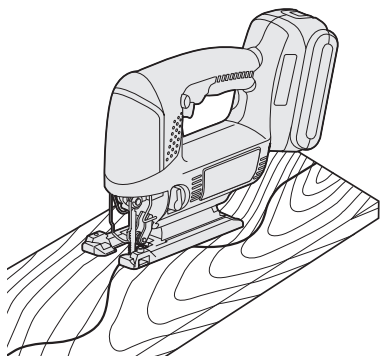
Corte a lo largo de las líneas marcadas

1. Debe colocar el objeto que va a cortar sobre la base, y alinear la cuchilla con la línea marcada.
 - No permita que la cuchilla toque el objeto que va a cortar antes de jalar el interruptor de alimentación.



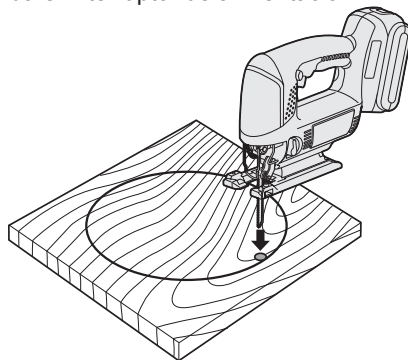
2. Jale el interruptor de alimentación, espere hasta que la velocidad se haya estabilizado, y luego coloque la base contra el objeto que va a cortar y corte a lo largo de las líneas marcadas.

- Cuando esté cortando formas complejas tales como formas con muchas curvas pequeñas, reduzca la velocidad de corte y la velocidad de giro.



Corte inmerso

1. Perfore un orificio en la sección a realizar el corte inmerso a fin de permitir que la cuchilla pase a través del mismo.
2. Inserte la cuchilla dentro del orificio sin tocar la pieza a trabajar y luego encienda el interruptor de alimentación.



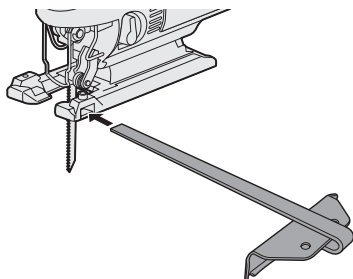
3. Corte a lo largo de la línea marcada.

Uso de un alineador de aserrado (EY9X011E) (disponible como accesorio, no incluido)

Se puede usar un alineador de aserrado para cortar líneas paralelas y para cortar círculos y arcos.

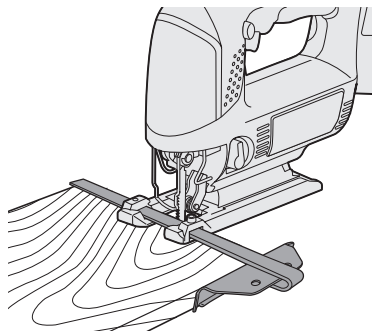
Instalación del alineador de aserrado

1. Afloje el tornillo de fijación del alineador de aserrado.
2. Pase el alineador de aserrado a través del montaje.
3. Ajuste la posición de corte y luego apriete el tornillo de fijación.



Corte con el mismo ancho

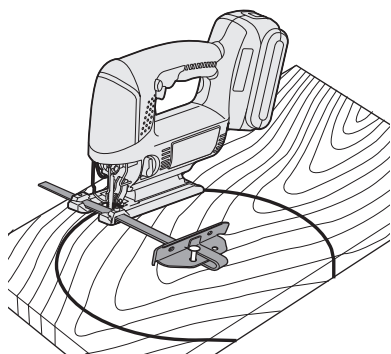
1. Coloque la base sobre la pieza a trabajar de manera que el borde del alineador de aserrado y la pieza a trabajar queden juntos.



2. Sin permitir que la cuchilla toque la pieza a trabajar, encienda el interruptor de alimentación.
3. Enfrente la guía de corte firmemente a la pieza a cortar para hacerlo en paralelo.

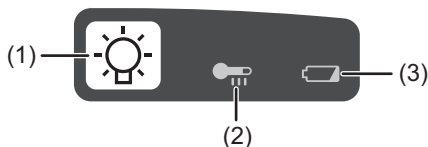
Corte de círculos

1. Si va a recortar una sección, perforo un orificio en la pieza a trabajar para permitir que la cuchilla de la sierra pase a través del mismo.
2. Debe hacer coincidir el orificio del alineador de aserrado con el centro del círculo, y luego usar un clavo o tornillo para afirmar el objeto en el lugar.

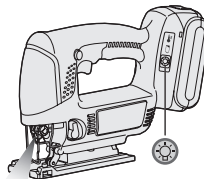


3. Sin tocar la pieza a trabajar, encienda el interruptor de alimentación.
4. Corte a lo largo de la línea marcada.

Panel de control



(1) Luz indicadora



Antes de usar la luz LED, tire siempre del interruptor de alimentación una vez.

Presione el botón de luz LED

La luz se enciende con muy poca corriente y no afecta adversamente el funcionamiento del aparato durante el uso o la capacidad de la batería.

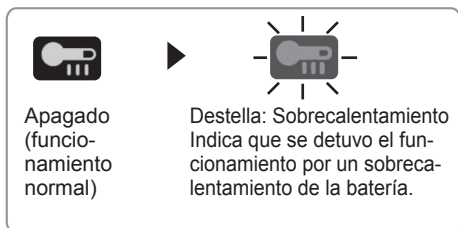
⚠ PRECAUCIÓN:

- La luz LED integrada se ha diseñado para iluminar la pequeña área de trabajo temporalmente.
- No la utilice en lugar de una linterna normal ya que no tiene suficiente brillo.
- La luz LED se apaga cuando la herramienta no se ha usado por 5 minutos.

Precaución: NO MIRE FIJAMENTE EL HAZ DE LUZ.

El uso de controles o ajustes o la realización de otros procedimientos que no sean los especificados puede producir una exposición a radiación peligrosa.

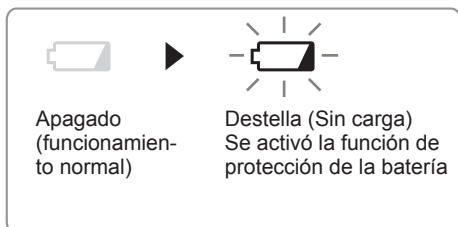
(2) Luz de advertencia de sobrecalentamiento



La función de protección contra sobrecalentamiento detiene el funcionamiento para proteger la batería en el caso de sobrecalentamiento. La luz de advertencia de sobrecalentamiento en el panel de control destella cuando esta función está activada.

- Si se activa la función de protección de sobrecalentamiento, espere hasta que el aparato se haya enfriado completamente (por lo menos 30 minutos). La batería está lista para usar cuando se apaga la luz de advertencia de sobrecalentamiento.
- Evite utilizar el aparato de tal forma que la función de protección de sobrecalentamiento se active repetidamente.

(3) Luz de aviso de baja carga de batería



Una descarga excesiva (completa) de las baterías de Li-ión acorta dramáticamente su vida de servicio. Esta herramienta incluye una función de protección de batería diseñada para evitar una descarga excesiva de la batería.

- La función de protección de batería se activa inmediatamente antes de que la batería se quede completamente sin carga haciendo que destelle la luz de advertencia batería baja.
- Si se da cuenta que destella la luz de advertencia de batería baja, cargue inmediatamente la batería.

[Batería]

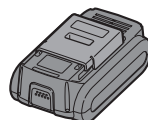
Para un uso adecuado de la batería

Batería de Li-ión (EY9L40/ EY9L41)

- Para una vida óptima de la batería, guarde la batería de Li-ión después del uso sin cargarla.
- Cuando cargue la caja de batería, confirme que los terminales en el cargador de batería estén libres de materias extrañas tales como polvo y agua, etc. Limpie los terminales antes de cargar la batería si hay materias extrañas en los terminales.
- Cuando no se utiliza la batería, manténgala separada de otros objetos metálicos, como: clips de papel, monedas, llaves, clavos, tornillos u otros objetos metálicos pequeños que pueden actuar de conexión entre un terminal y el otro.

Un cortocircuito entre los terminales de la batería puede ocasionar chispas, quemaduras o incendios.

- Cuando haga funcionar con la batería, asegúrese de que el lugar de trabajo está bien ventilado.
- Cuando se saca la batería del cuerpo principal de la herramienta, vuelva a cerrar inmediatamente la cubierta de batería, para evitar que el polvo o la suciedad puedan ensuciar los terminales de batería y provocar un cortocircuito.



Vida útil de la batería

Las baterías recargables tienen una vida útil limitada. Si el tiempo de funcionamiento se acorta mucho tras la recarga, sustituya la batería por una nueva.

Reciclado de la batería

ATENCIÓN:

Para la protección del medio ambiente y reciclado de materiales, asegúrese de que la desecha en un lugar especificado oficialmente, si hay uno en su país.

[Cargador de la batería]

Carga

Precauciones para las baterías Li-ión

- Si la temperatura de la caja de batería cae unos -10°C (14°F), la carga se parará automáticamente para evitar un deterioro de la batería.

Precauciones comunes para las baterías Li-ión/Ni-MH/Ni-Cd

- La variación de temperatura ambiente es de entre 0°C (32°F) y 40°C (104°F). Si la batería se utiliza cuando la temperatura de la batería es inferior a 0°C (32°F), la herramienta puede no funcionar correctamente.
- Cuando se vaya a cargar una batería fría (0°C (32°F) o menos) en un cuarto cálido, deje la batería en la habitación durante al menos una hora y cárguela cuando se haya calentado a la temperatura de la habitación.
- Deje que se enfríe el cargador al cargar más de dos baterías de forma consecutiva.
- No introduzca sus dedos dentro del hueco del contacto, cuando esté sujetando el cargador o en ninguna otra ocasión.

⚠ PRECAUCIÓN:

Para impedir el riesgo de incendio o daños del cargador de batería.

- No utilice una fuente de alimentación de un generador motorizado.
- No tapone los orificios de ventilación del cargador y la batería.
- Desenchufe el cargador cuando no lo utilice.

Batería de Li-ión

NOTA:

Su batería no está totalmente cargada al momento de comprarla. Asegúrese de cargar la batería antes de utilizarla.

Cargador de batería (EY0L80)

1. Enchufe el cargador en la fuente de alimentación de CA.

NOTA:

Se pueden producir chispas cuando se inserta el enchufe en la alimentación eléctrica de CA pero este no es un problema en términos de seguridad.

2. Meta firmemente la batería en el cargador.

1. Alinee las marcas de alineación y coloque la batería en el enchufe del cargador.

2. Deslice hacia adelante en el sentido de la flecha.



3. La luz indicadora de carga permanecerá encendida durante la carga.

Cuando haya terminado la carga, se accionará automáticamente un conmutador electrónico interno para impedir cualquier sobrecarga.

- No podrá cargar la batería si ésta está todavía caliente (por ejemplo, inmediatamente después de haber trabajado mucho).

La luz de espera naranja seguirá destellando hasta que se enfríe la batería. La carga comenzará automáticamente.

4. La luz de carga (verde) destellará lentamente cuando la batería se haya cargado a un 80%.

5. Cuando se completa la carga, la luz de carga empezará a destellar rápidamente de color verde.
6. Si la temperatura de la batería es de 0°C o menos, la batería demora más en cargarse completamente que el tiempo de carga normal.
Incluso cuando la batería esté completamente cargada, tendrá aproximadamente 50% de la carga de una batería totalmente cargada a la temperatura de funcionamiento normal.
7. Si la lámpara de carga no se enciende inmediatamente después de enchufar el cargador, o si después del tiempo de carga estándar, la lámpara no destella rápidamente de verde, consulte con un distribuidor autorizado.
8. Si se vuelve a colocar una batería totalmente cargada en el cargador, se encenderá la luz de carga. Luego de algunos minutos, la lámpara de carga puede destellar rápidamente para indicar que la carga se ha completado.

Batería Ni-MH/Ni-Cd

NOTA:

Cargue una nueva batería, o una batería que no haya sido utilizado durante mucho tiempo durante 24 horas seguidas para que la batería se cargue totalmente.

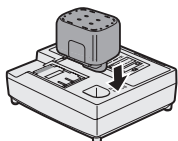
Cargador de batería (EY0L80)

1. Enchufe el cargador en la fuente de alimentación de CA.

NOTA:

Se pueden producir chispas cuando se inserta el enchufe en la alimentación eléctrica de CA pero este no es un problema en términos de seguridad.

2. Meta firmemente la batería en el cargador.



3. La luz indicadora de carga permanecerá encendida durante la carga.

Cuando haya terminado la carga, se accionará automáticamente un conmutador electrónico interno para impedir cualquier sobrecarga.

- No podrá cargar la batería si ésta está todavía caliente (por ejemplo, inmediatamente después de haber trabajado mucho).
La luz de espera naranja seguirá destellando hasta que se enfríe la batería. La carga comenzará automáticamente.
4. Cuando se completa la carga, la luz de carga empezará a destellar rápidamente de color verde.
 5. Si la lámpara de carga no se enciende inmediatamente después de enchufar el cargador, o si después del tiempo de carga estándar, la lámpara no destella rápidamente de verde, consulte con un distribuidor autorizado.
 6. Si se vuelve a colocar una batería totalmente cargada en el cargador, se encenderá la luz de carga. Luego de algunos minutos, la lámpara de carga puede destellar rápidamente para indicar que la carga se ha completado.

INDICACIÓN DE LA LÁMPARA



Se enciende en verde
Se ha enchufado el cargador en la fuente de alimentación de CA.
Está preparado para cargar.



Destella rápidamente en verde
La carga ha sido completada. (Carga completa.)



Destella en verde
La batería se cargó en aproximadamente 80%. (Carga completa. sólo Li-ión.)



Se enciende en verde
Ahora cargando.



Se enciende en naranja
La batería está fría.
La batería se está cargando lentamente para reducir la carga de la batería. (sólo Li-ión.)



Destella en naranja
La batería está caliente. La carga comenzará cuando baje la temperatura de la batería.

Si la temperatura de la batería es de -10°C o menos, la luz de carga (naranja) también empezará a destellar. La carga empezará cuando sube la temperatura de la batería (sólo Li-ión).



Luz de estado de carga
Aparecerá Izquierda: Verde
Derecha: se exhibirá en naranja.



Destellan rápidamente en naranja y verde
No es posible realizar la carga. Existe un bloqueo de polvo o una falla de la batería.

Información para Usuarios sobre la Recolección y Eliminación de aparatos viejos y baterías usadas



Estos símbolos en los productos, embalajes y/o documentos adjuntos, significan que los aparatos eléctricos y electrónicos y las baterías no deberían ser mezclados con los desechos domésticos.



Para el tratamiento apropiado, la recuperación y el reciclado de aparatos viejos y baterías usadas, por favor, observe las normas de recolección aplicables, de acuerdo a su legislación nacional y a las Directivas 2002/96/CE y 2006/66/CE.



Al desechar estos aparatos y baterías correctamente, Usted estará ayudando a preservar recursos valiosos y a prevenir cualquier potencial efecto negativo sobre la salud de la humanidad y el medio ambiente que, de lo contrario, podría surgir de un manejo inapropiado de los residuos.



Para mayor información sobre la recolección y el reciclado de aparatos y baterías viejos, por favor, contacte a su comunidad local, su servicio de eliminación de residuos o al comercio donde adquirió estos aparatos.

Cd

Podrán aplicarse penas por la eliminación incorrecta de estos residuos, de acuerdo a la legislación nacional.

Para usuarios empresariales en la Unión Europea

Si usted desea descartar aparatos eléctricos y electrónicos, por favor contacte a su distribuidor o proveedor a fin de obtener mayor información.

[Información sobre la Eliminación en otros Países fuera de la Unión Europea]

Estos símbolos sólo son válidos dentro de la Unión Europea. Si desea desechar estos objetos, por favor contacte con sus autoridades locales o distribuidor y consulte por el método correcto de eliminación.

Nota sobre el símbolo de la batería (abajo, dos ejemplos de símbolos):

Este símbolo puede ser usado en combinación con un símbolo químico. En este caso, el mismo cumple con los requerimientos establecidos por la Directiva para los químicos involucrados.

V. MANTENIMIENTO

Para frotar la herramienta, emplee sólo un paño que sea suave y que esté seco. No emplee paños humedecidos, disolventes, bencina, ni otros solventes volátiles para la limpieza.

VI. ACCESORIOS

⚠ PRECAUCIÓN:

- El uso de cualquier otro accesorio no especificado en este manual puede causar incendios, golpes eléctricos o lesiones personales. Utilice sólo los accesorios recomendados.

Cuchilla de metal

•EY9SXMJ0E

Para cortar metal en general

Cuchilla de madera

•EY9SXWJ0E

Para cortar madera en general

Cuchilla de pared de yeso

•EY9SXXJ0E

Cuchilla de pared de yeso

Alineador de aserrado (Accesorio opcional)

•EY9X011E

Para realizar convenientemente cortes a lo largo y cortes repetidos del mismo ancho.

Adaptador colector de polvo para aspiradora (Accesorio opcional)

•EY9X009E

VII. ESPECIFICACIONES

UNIDAD PRINCIPAL

Modelo	EY4541	
Motor	14,4 V de CC	
Grosor máximo de hoja de montaje	1,3 mm (1/16")	
Longitud del recorrido	20 mm (25/32")	
Recorridos por minuto	0 - 2400 /min	
Capacidades de corte máximas	Madera	65 mm (2-9/16")
	Acero dulce	6 mm (1/4")
	Aluminio	10 mm (3/8")
Longitud total	270 mm (10-5/8")	
Peso (con la batería: EY9L40)	2,2 kg (4,8 lbs)	
Peso (con la batería: EY9L41)	2,25 kg (5 lbs)	
Ruido, Vibración	Consulte la hoja incluida	

BATERÍA

Modelo	EY9L40	EY9L41
Batería de almacenaje	Batería Li-ión	
Tensión de batería	14,4 V CC (3,6 V x 4 celdas)	
Capacidad	3 Ah	3,3 Ah

CARGADOR DE BATERÍA

Modelo	EY0L80
Régimen	Vea la placa de especificaciones en la parte inferior del cargador.
Peso	0,95 kg (2,1 lbs)

[Batterie autonome Li-ion]

Tiempo de carga	3 Ah	14,4 V	21,6 V	28,8 V
		EY9L40	EY9L60	EY9L80
		Utilizable: 35 min.	Utilizable: 45 min.	Utilizable: 55 min.
		Completa: 50 min.	Completa: 60 min.	Completa: 70 min.
Tiempo de carga	3,3 Ah	14,4 V		
		EY9L41		
		Utilizable: 45 min.		
		Completa: 60 min.		

[Batería Ni-MH/Ni-Cd]

Tiempo de carga	1,2 Ah	7,2 V	9,6 V	12 V	15,6 V	18 V	24 V
		EY9065 EY9066	EY9080 EY9086	EY9001 EY9006			
	20 min.						
	1,7 Ah		EY9180 EY9182	EY9101 EY9103			
		25 min.					
	2 Ah	EY9168	EY9188	EY9106 EY9107 EY9108	EY9136		EY9116 EY9117
		30 min.					60 min.
	3 Ah			EY9200 EY9230			EY9210
				45 min.			90 min.
	3,5 Ah			EY9201 EY9231	EY9251		
			55 min.		65 min.		

NOTA: Este cuadro puede contener modelos no disponibles en su país.
Consulte el más reciente catálogo general.

NOTA: Puede consultar el nombre y la dirección del concesionario en la tarjeta de garantía que se incluye.



I. BEREGNET BRUG

Tak fordi du har købt denne Panasonic deкупørsav. Denne deкупørsav kan anvendes med Panasonic genopladelige batterier, således at en udmærket skæring opnås. Denne deкупørsav er kun beregnet til savning i metal, træ og tømur.

Læs hæftet med sikkerhedsinstruktionerne og nedenstående før brugen.

II. EKSTRA SIKKERHEDSREGLER

- 1) **Hold værktøjet i dets isolerede grebflader, når du udfører et arbejde, hvor skæreværktøjet kan komme i berøring med skjulte ledninger.** Berøring af en strømførende ledning kan gøre blotlagte metaldele af værktøjet strømførende, hvorved operatøren kan få stød.
- 2) **Anvend fastspændingsanordninger eller en anden praktisk måde til at fastgøre arbejdsstykket til en stabil flade.** Hvis arbejdsstykket holdes med hånden eller mod kroppen, kan det blive ustabilt, hvilket kan føre til at du mister kontrollen over det.
- 3) **Hold hænderne væk fra skærområdet og savbladet. Hold i de isolerede grebflader.** Hvis du holder i værktøjet med begge hænder, kan bladet ikke komme til at skære i dem.
- 4) **Nunca sujete la pieza que está cortando con su mano ni la apoye sobre su pierna.** Det er vigtigt at understøtte arbejdsstykket ordentligt for at minimere risikoen for kropskontakt og tab af herredømmet.
- 5) **Vær opmærksom på, at dette værktøj altid er i aktiveret stand, da det ikke er nødvendigt at slutte det til en stikkontakt.**
- 6) **Anvend altid beskyttelsesbriller eller briller med sideskjold. Almindelige briller og solbriller er IKKE beskyttelsesbriller.**
- 7) **Benyt støvmaske, når dette værktøj anvendes til træarbejde på et**
- 8) **Undgå at skære søm. Inspicér arbejdsstykket for søm og fjern dem inden arbejdet påbegyndes.**
- 9) **Undlad at save arbejdsstykker i overstørrelse.**
- 10) **Kontroller, at afstanden er korrekt bag arbejdsstykket, inden du begynder at save, således at bladet ikke vil ramme gulvet, skruestikken etc.**
- 11) **Hold godt fast i værktøjet.**
- 12) **Sørg for, at værktøjet ikke kommer i berøring med arbejdsstykket, inden der tændes med afbryderen.**
- 13) **Hold hænderne væk fra bevægelige dele.**
- 14) **Rør ikke ved savbladet eller arbejdsstykket umiddelbart efter brugen. De kan være meget varme og give hudforbrændinger.**
- 15) **Sving aldrig værktøjet.**
- 16) **Benyt ikke savblade, som er deformerede eller revnede.**
- 17) **Benyt ikke savblade, som ikke er i overensstemmelse med de i disse instruktioner specificerede data.**
- 18) **Tag akkuen ud af værktøjet, inden savbladet skiftes ud, eller der udføres justeringer eller andet vedligeholdelsesarbejde.**
- 19) **Benyt høreværn, når værktøjet anvendes i længere tidsrum.**

Symbol	Betydning
V	Volt
---	Jævnstrøm
n ₀	Ubelastet hastighed
... min ⁻¹	Omdrejninger og frem- og tilbagegående bevægelse.
Ah	Akkuens elektriske kapacitet
	For at reducere risikoen for tilskadekomst, skal brugeren læse og forstå brugsvejledningen.
	Kun til indendørs brug.

⚠ ADVARSEL:

- Benyt ikke andre akkuer end de Panasonic-akkuer, som er beregnet til brug med dette genopladelige værktøj.
- Smid ikke akkuen på ilden og udsæt den ikke for ekstrem varme.
- Lad være med at drive søm etc. ind i akkuen, udsætte den for stød, adskille den eller forsøge at ændre den.
- Lad ikke metalgenstande komme i berøring med akkuens terminaler.
- Undlad at transportere eller opbevare akkuen i den samme beholder som søm eller lignende metalgenstande.
- Oplad ikke akkuen på et sted med høj temperatur, som for eksempel nær ild eller i direkte sol. Dette kan bevirke, at batteriet overophedes, bryder i brand eller eksploderer.
- Anvend aldrig andre end den beregnede oplader til opladning af akkuen. Dette kan bevirke, at batteriet lækker, overophedes eller eksploderer.
- Når batteripakningen er taget af værktøjet eller opladeren, skal man altid huske at sætte pakningsdækslet på. Hvis dette ikke gøres, er der risiko for, at batterikontakterne kortsluttes, hvilket kan være årsag til brandfare.

III. MONTERING

⚠ ADVARSEL:

For at reducere risikoen for tilskadekomst, skal man altid fjerne akkuen, inden savbladet oplades.

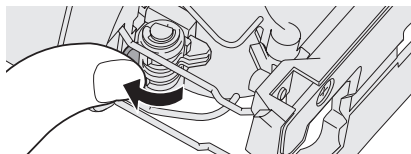
Inspektion før brugen

- Er det rigtige deкупørsavblad sat på for det arbejdsstykke, der skal skæres?
- Er den korrekte spindelform og bladtykkelse monteret?
- Kontroller, om savbladet er ordentligt fastgjort.
- Kontroller, om savbladet er revnet eller brækket.
- Kontroller, at der ikke er nogen fremmedgenstande i det arbejdsstykke, der skal skæres.

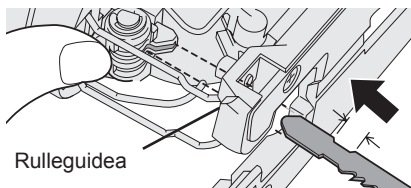
Montering og afmontering af savbladet

Montering

1. Tør al savsmuld bort fra savbladet og savbladsholderen.
2. Løft armen til montering/afmontering af savbladet op.



3. Sæt savbladet ind i bladfastpændingsholderen og sæt bagsiden af savbladet langs rulleguiden således, at bagsiden af deкупørsavens savblad glider langs rulleguiden.



4. Frigør armen til montering/afmontering af savbladet op.

- Når savbladet er fastgjort på plads, vil armen gå tilbage til dets udgangsstilling.
- Kontroller, at bagsiden af savbladet går ind i rillen på rulleguiden.

⚠ ADVARSEL:

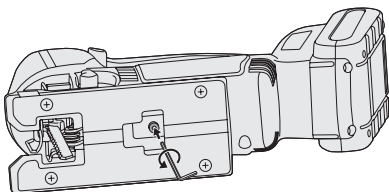
Hvis du ikke sætter savbladet langt nok ind, kan det uventet blive stødt ud under anvendelsen. Dette kan være yderst farligt.

Afmontering

1. Løft armen til montering/afmontering af savbladet op.
2. Træk savbladet ud.

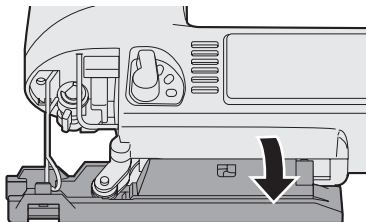
Justering af underdelen

1. Benyt fastnøglen til at løsne underdels-skruen.



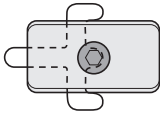
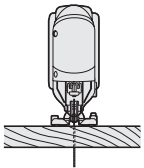
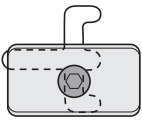
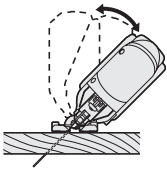
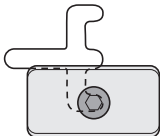
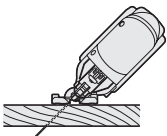
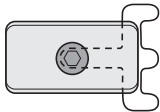
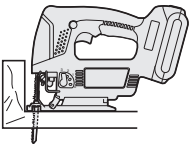
2. Flyt underdelen langs underdelsindstillingshullet for at indstille positionen. (Se diagrammet til højre).

- Underdelen kan indstilles til mellem 0° og 45° sidelæns og fremad/tilbagepositionen kan også indstilles. Hvis underdelen vippes sidelæns, skal støvafdækningen først fjernes.
- Se smigvinkelindekset angående bestemmelse af vinklen.
- Parallelanslagsskruen bør være på den modsatte side af den, hvor værktøjet er vinklet.



3. Benyt fastnøglen til at stramme underdels-skruen.

Position af underdelen og brugsformål

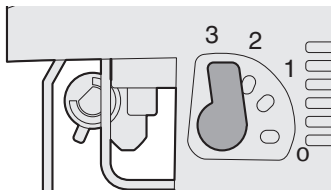
Underdelsjusteringshulposition	Brugsformål
	Normal højrevinklet skæring 
	Skæring i en vinkel på mellem 0° og 45° 
	Skæring i en vinkel på 45° 
	Skæring tæt på enden af en væg 

BEMÆRK:

Dette er kun en grov vejledning. Den faktiske vinkel af snittet vil blive påvirket af faktorer som f.eks. den måde, hvorpå værktøjet holdes mod overfladen.

Indstilling af omløbsslagfunktionen

- Indstil omløbsslagfunktionen til det arbejdsstykke, der skal skæres.



Armposition	Savbladsbevægelse	Hovedanvendelser
0	 Kun lodret	<ul style="list-style-type: none"> • Skæring i hårde metaller som f.eks. stål • Jævn skæring af byggematerialer og krydsfinerplader • Skæring omkring små kurver
1	 Lav omløbsslagfunktion	<ul style="list-style-type: none"> • Skæring af bløde metaller som f.eks. aluminium og andre ikke-jernholdige metaller • Skæring af hårdt træ, krydsfinerplader og plastic
2	 Medium omløbsslagfunktion	<ul style="list-style-type: none"> • Skæring af relativt blødt materiale • Skæring af træ og kompositplader • Høj hastigheds skæring af aluminium og blødt stål
3	 Høj omløbsslagfunktion	<ul style="list-style-type: none"> • Skæring af bløde materialer • Høj hastigheds skæring af materialer som f.eks. træ, kompositplader og plastic

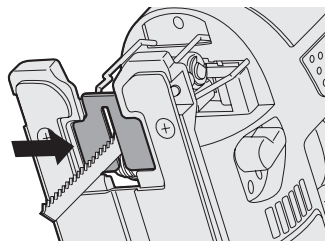
- Hvis du gerne vil have en renere finish, skal du sætte omløbsslagfunktionen til et lavere niveau.

Anti-splintringsplade

Anvend anti-splintringspladen til at reducere splinter, når der skæres træ.

Montering

1. Sæt underdelen i en 90-graders position.
2. Anbring anti-splintringspladen på undersiden af underdelen og monter den ved at trykke den forsigtigt på plads.
 - Monter således, at den rejfede kant på rillen i midten af anti-splintringspladen vender mod deкупørsaven.

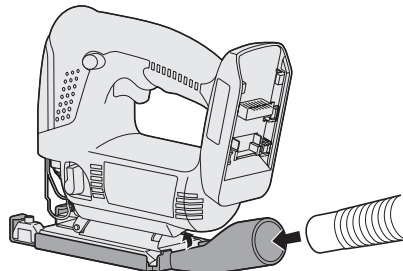


Støvadapter til støvsuger (EY9H009E) (fås som ekstraudstyr, medfølger ikke)

Du kan anvende en støvsuger til at opsamle savsmuld under skæringen.

Montering

1. Sæt støvopsamlingsadapterens krog på forsiden af underdelen.
2. Monter den ved at trykke bagdelen på plads.
3. Monter støvsugerslangen.



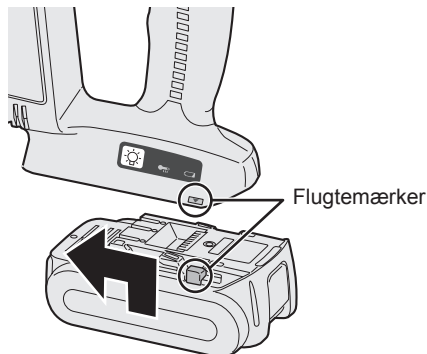
- Det anbefales at anvende en støvadapter for at reducere risikoen for at beskadige overfladen på det arbejdsstykke, der skæres.

Isætning og udtagning af akkuen

1. Tilslutning af akkuen:

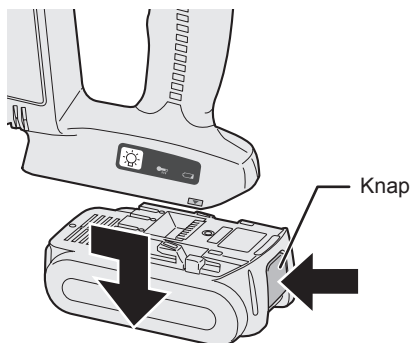
Sæt flugtemærkerne på linje og sæt akkuen på.

- Skyd akkuen i stilling, indtil den klikker på plads.



2. Aftagning af akkuen:

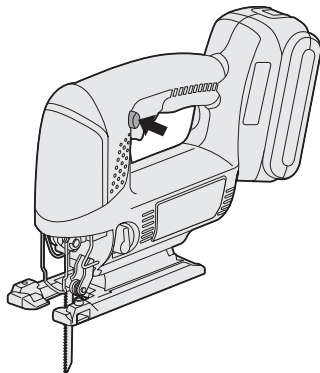
Tryk på knappen forfra for at frigøre akkuen.



IV. BETJENING

1. Tryk låsehåndtaget ned og træk i afbryderen.

- Hastigheden øges i takt med styrken af nedtrykning af afbryderen.



2. Slip afbryderen, når skæringen er fuldført.

3. Kontroller, at savbladets temperatur er faldet tilstrækkeligt og fjern derefter savbladet.

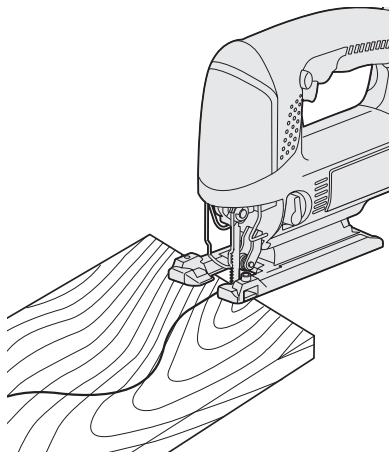
Skæring

BEMÆRK:

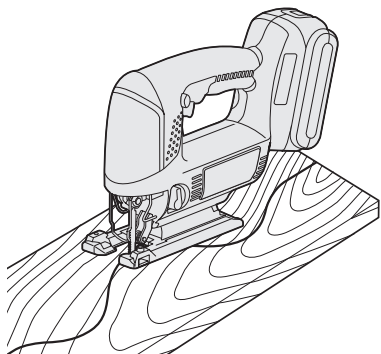
- Kontroller, at der ikke er noget, der forhindrer skæring, under arbejdsstykket.
- Kontroller, at der ikke er nogen genstande som f.eks. søm i det materiale, der skal skæres.
Hvis savbladet kommer i berøring med sådanne genstande under skæringen, vil en stærk reaktionskraft blive frembragt, som kan resultere i alvorlig tilskadekomst.
- Læg ikke hånden på genstanden i den retning, som skæringen skal foregå i.
Hvis dette ikke overholdes, vil der være risiko for at komme til skade.
- Undlad at røre ved dekupørsavens savblad umiddelbart efter skæringen.
Hvis dette ikke overholdes, vil der være risiko for forbrændinger.

Skæring langs afmærkede linjer

1. Anbring den genstand, der skal skæres, på underdelen, og sæt savbladet ud for den afmærkede linje.
 - Lad ikke savbladet røre ved den genstand, der skal skæres, inden du trykker på afbryderen.

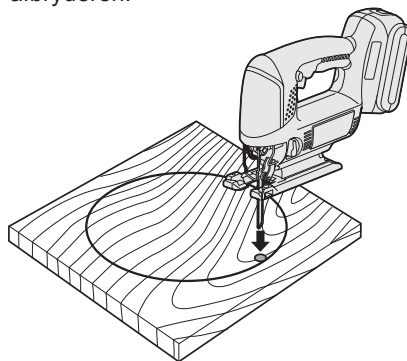


2. Tryk på afbryderen, vent indtil hastigheden er blevet stabil, og anbring derefter underdelen mod den genstand, der skal skæres, og skær langs de afmærkede linjer.
 - Når der skæres komplekse former som f.eks. former med mange små kurver, skal du reducere skærehastigheden og drejehastigheden.



Indstiksskæring

1. Lav et borehul i den sektion, hvor der skal indstiksskæres, for at lade savbladet passere igennem.
2. Sæt savbladet ind i hullet uden at berøre arbejdsstykket, og tænd derefter med afbryderen.



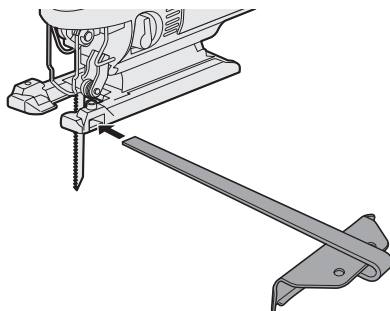
3. Skær langs den afmærkede linje.

Anvendelse af et parallelanslag (EY9X011E) (fås som ekstraudstyr, medfølger ikke)

Et parallelanslag kan anvendes til at skære parallelle linjer og til at skære cirkler og buer.

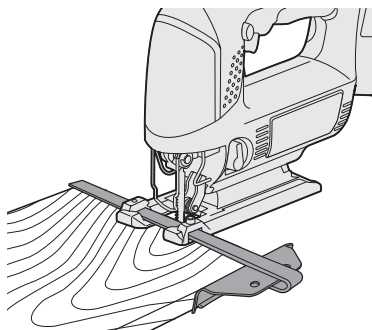
Montering af parallelanslaget

1. Løsn parallelanslagsskruen.
2. Før parallelanslaget gennem befæstelsen.
3. Indstil skærepositionen og stram derefter befæstelsesskruen.



Skæring i den samme bredde

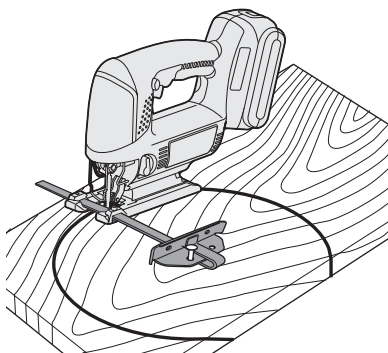
1. Anbring underdelen på arbejdsstykket, så kanten på parallelanslaget og arbejdsstykket går sammen.



2. Tænd med afbryderen, uden at lade savbladet berøre arbejdsstykket.
3. Anbring parallelanslaget fast mod arbejdsstykket for at skære en parallel linje.

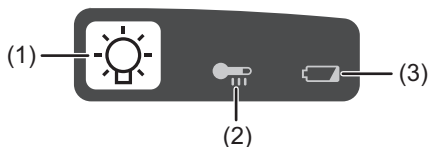
Skæring af cirkler

1. Hvis du skærer en del bort, skal du lave et borehul i arbejdsstykket for at lade dekupørsavens savblad passere igennem.
2. Sæt stiftullet på parallelanslaget ud for midten af cirklen, og anvend derefter et søm eller en skrue til at holde genstanden på plads.

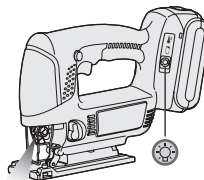


3. Tænd med afbryderen, uden at berøre arbejdsstykket.
4. Skær langs den afmærkede linje.

Kontrolpanel



(1) LED-lys



Inden anvendelse af LED-lyset, skal der altid trækkes en gang i afbryderen.

Tryk på  LED-lysknappen.

Lyset lyser med en meget lav strøm, og det påvirker ikke skrue-trækkerens ydelse negativt under brug eller dens batterikapacitet.

⚠ FORSIGTIG:

- Det indbyggede LED-lys er beregnet til at oplyse et lille arbejdsområde midlertidigt.
- Anvend det ikke som erstatning for en almindelig lommelygte, da det ikke har tilstrækkelig lysstyrke.
- LED-lyset slukker, hvis værktøjet ikke har været anvendt i 5 minutter.

Forsigtig: UNDLAD AT STIRRE IND I STRÅLEN

Anvendelse af kontroller eller justeringer eller udførelse af andre procedurer end de heri specificerede, kan medføre farlig udsættelse for stråling.

(2) Advarselslampe til overophedning



Fra
(normal anvendelse)



Blinker: Overophedning
Betyder, at anvendelsen er blevet stoppet på grund af overophedning af batteriet.

Overophedningsbeskyttelsesfunktionen stopper værktøjet for at beskytte akkuen i tilfælde af overophedning. Advarselslampen til overophedning på kontrolpanelet blinker, når denne egenskab er aktiveret.

- Hvis overophedningsbeskyttelsesfunktionen aktiveres, skal du give skruetrækkeren tid til at køle helt af (mindst 30 minutter). Batteriet er klar til brug igen, når advarselslampen til overophedning slukker.
- Undgå at anvende skruetrækkeren på en sådan måde, at overophedningsbeskyttelsesfunktionen aktiveres gentagne gange.

(3) Advarselslampes batterieffekt lav



Fra
(normal anvendelse)



Blinker
(ingen opladning)
Batteribeskyttelsesfunktionen er aktiveret

Batteribeskyttelsesfunktionen aktiveres umiddelbart inden batteriet mister sin effekt, hvilket bevirker, at advarselslampen for lav batterieffekt begynder at blinke.

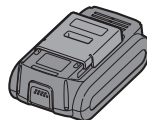
- Batteribeskyttelsesfunktionerne aktiveres umiddelbart inden batteriet mister sin effekt, hvilket bevirker, at advarselslampen for lav batterieffekt begynder at blinke.
- Hvis du bemærker, at advarselslampen for lav batterieffekt blinker, skal du straks oplade batteripakningen.

[Akku]

Korrekt brug af akkuen

Li-ion akku (EY9L40/EY9L41)

- Opbevar Li-ion akkuen efter brugen uden at oplade den, således at optimal batterilevetid opnås.
- Når du oplader akkuen, skal du bekræfte at terminalerne på batteriopladeren er fri for fremmedlegemer, som f.eks. støv og vand etc. Rengør terminalerne, inden du oplader akkuen, hvis der findes nogen fremmedlegemer på terminalerne.
Levetiden for akkuens terminaler kan påvirkes af uvedkommende substanser, som for eksempel støv og vand etc., under brugen.
- Når akkuen ikke anvendes, skal den holdes væk fra andre metalgenstande som: papirclips, mønter, nøgler, søm, skruer og andre små genstande, som kan danne en forbindelse fra en terminal til en anden.
Kortslutning af batteriterminalerne sammen kan frembringe gnister, forbrændinger eller ildebrand.
- Når du anvender akkuen, skal du sørge for, at arbejdsstedet er velventileret.
- Når akkuen er taget af værktøjets hoveddel, skal akkuafdækningen straks sættes på for at forhindre, at støv og snavs forurener batteriterminalerne og forårsager kortslutning.



Akkuens levetid

De udskiftbare batterier har en begrænset levetid. Hvis betjeningstiden bliver meget kort efter opladningen, skal akkuen udskiftes med en ny.

Genbrug af batterier

OBS:

For at beskytte miljøet og genbruge materialer, skal du altid huske at bortskaffe udtjente batterier på forskriftsmæssig vis, dvs. indlevere dem til et sted, der er godkendt af myndighederne, hvis et sådant forefindes i dit land.

[Batterioplader] Opladning

Sikkerhedsforskrifter for Li-ion batteripakning

- Hvis batteripakningens temperatur falder til under cirka -10°C , vil opladning automatisk stoppe for at forhindre forringelse af batteriet.

Almindelige sikkerhedsforskrifter for Li-ion/Ni-MH/Ni-Cd akkuen

- Det omgivende temperaturområde er mellem 0°C og 40°C . Hvis akkuen anvendes, når batteritemperaturen er under 0°C , kan der opstå problemer i værktøjets funktion.
- Når man vil oplade en kold akku (under 0°C) i et varmt rum, så anbring akkuen i rummet i mindst en time, så dens temperatur kan komme på niveau med rummets, inden den oplades.
- Lad opladeren køle ned ved genopladning af flere end to akkuer efter hinanden.
- Sæt ikke fingrene ind i kontaktåbningen, når opladeren holdes i hænderne eller ved andre lejligheder.

⚠ FORSIGTIG:

Forebyggelse af risiko for brand eller skade på batteriopladeren.

- Anvend ikke strøm fra en generator på en motor.
- Tildæk ikke ventiltationshullerne på opladeren og på akkuen.
- Tag opladeren ud af forbindelse, når den ikke skal anvendes.

Batería de Li-ión

BEMÆRK:

Akkuen er ikke fuldt opladet på købstidspunktet. Sørg for at oplade batteriet før brugen.

Batterioplader (EY0L80)

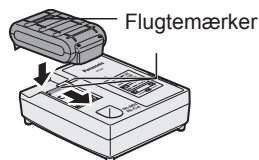
1. Sæt opladerens stik ind i en stikkontakt i lysnettet.

BEMÆRK:

Der kan opstå gnister, når stikket sættes i stikkontakten, men dette er ikke noget sikkerhedsproblem.

2. Sæt akkuen helt ind i opladeren.

1. Sæt flugtemærkerne på linje og anbring batteriet på dokken på opladeren.
2. Tryk fremad i pilens retning.



3. Under opladningen vil opladelampen lyse.

Når opladningen er afsluttet, vil en indre elektronisk omskifter automatisk udløses til forhindring af overopladning.

- Opladningen starter ikke, hvis akkuen er varm (for eksempel, umiddelbart efter ekstra svær anvendelse.)

Den orangefarvede standbylampe blinker, indtil batteriet er kølet af.

Opladningen begynder automatisk straks derefter.

4. Opladelampen (grøn) blinker langsomt, når batteriet er omkring 80% opladet.
5. Når opladningen er færdig, vil opladelampen begynde at blinke hurtigt i grøn farve.

6. Hvis akkuens temperatur er 0°C eller mindre, vil det tage længere at oplade akkuen helt, sammenlignet med standardopladetiden.
Selv hvis batteriet er fuldt opladet, vil det have omkring 50% af effekten i et fuldt opladet batteri ved normal brugstemperatur.
7. Hvis driftslampen ikke tændes straks, efter at opladeren er sat i forbindelse, eller hvis opladelampen efter standardopladetiden ikke blinker hurtigt i grønt, skal du rådføre dig med en autoriseret forhandler.
8. Hvis en fuldt opladet akku sættes ind i opladeren igen, vil opladelampen begynde at lyse. Efter nogle minutter vil opladelampen blinke hurtigt for at indikere at opladningen er afsluttet.
4. Når opladningen er færdig, vil opladelampen begynde at blinke hurtigt i grøn farve.
5. Hvis opladelampen ikke tændes straks, efter at opladeren er sat i forbindelse, eller hvis opladelampen efter standardopladetiden ikke blinker hurtigt i grønt, skal du rådføre dig med en autoriseret forhandler.
6. Hvis en fuldt opladet akku sættes ind i opladeren igen, vil opladelampen begynde at lyse. Efter nogle minutter vil opladelampen blinke hurtigt for at indikere at opladningen er afsluttet.

Ni-MH/Ni-Cd akku

BEMÆRK:

Når du oplader akkuen for første gang eller efter længere tids opbevaring, skal den oplades i ca. 24 timer, så batteriet oplades helt.

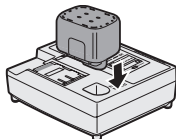
Batterioplader (EY0L80)

1. Sæt opladerens stik ind i en stikkontakt i lysnettet.

BEMÆRK:

Der kan opstå gnister, når stikket sættes i stikkontakten, men dette er ikke noget sikkerhedsproblem.

2. Sæt akkuen helt ind i opladeren.



3. Under opladningen vil opladelampen lyse.

Når opladningen er afsluttet, vil en indre elektronisk omskifter automatisk udløses til forhindring af overopladning.

- Opladningen starter ikke, hvis akkuen er varm (for eksempel, umiddelbart efter ekstra svær anvendelse.)

Den orangefarvede standbylampe blinker, indtil batteriet er kølet af. Opladningen begynder automatisk straks derefter.

LAMPEINDIKERINGER



Lyser grønt
Opladeren er sat i en stikkontakt..
Klar til opladning.



Blinker hurtigt i grønt
Opladning er afsluttet. (Fuld opladning)



Blinker grønt
Batteriet er omkring 80% opladet. (Brugbar opladning. Kun Li-ion batteri)



Lyser grønt
Oplader.



Lyser orange
Akkuen er kold.
Akkuen oplades langsomt for at reducere belastningen af batteriet. Kun Li-ion batteri)



Blinker orange
Akkuen er varm. Opladningen vil begynde, så snart akkuens temperatur er faldet.

Hvis akkuens temperatur er -10°C eller derunder, vil opladelampen (orange) også begynde at blinke. Opladningen vil begynde, når akkuens temperatur stiger (kun Li-ion batteri).



Opladelampe
Venstre: grøn Højre: orange vil blive vist



Blinker hurtigt i både orange og grønt
Opladning ikke mulig. Akkuen er tilsmudset eller defekt.

Brugerinformation om indsamling og bortskaffelse af elektronikskrot og brugte batterier



Disse symboler på produkter, emballage og/eller ledsagedokumenter betyder, at brugte elektriske og elektroniske produkter og batterier ikke må smides ud som almindeligt husholdningsaffald. Sådanne gamle produkter og batterier skal indleveres til behandling, genvinding resp. recycling i henhold til gældende nationale bestemmelser samt direktiverne 2002/96/EF og 2006/66/EF.



Ved at bortskaffe sådanne produkter og batterier på korrekt vis hjælper du med til at beskytte værdifulde ressourcer og imødegå de negative påvirkninger af det menneskelige helbred og miljøet, som vil kunne være følgen af usagkyndig affaldsbehandling.



Ønsker du mere udførlig information om indsamling og recycling af gamle produkter og batterier, kan du henvende dig til din kommune, deponeringselskabet eller stedet, hvor du har købt produkterne.

Usagkyndig bortskaffelse af elektronikskrot og batterier kan eventuelt udløse bødeforlæg.

Cd

For kommercielle brugere i Den Europæiske Union

Når du ønsker at kassere elektriske eller elektroniske apparater, bedes du henvende dig til din forhandler eller leverandør for nærmere information.

[Information om bortskaffelse i lande uden for Den Europæiske Union]

Disse symboler gælder kun inden for Den Europæiske Union. Ønsker du at kassere sådanne produkter, bedes du forhøre dig hos din forhandler eller kommune med henblik på en hensigtsmæssig bortskaffelse.

Information om batterisymbol (to eksempler nedenfor):

Dette symbol kan optræde sammen med et kemisk symbol. I så fald opfylder det kravene for det direktiv, som er blevet fastlagt for det pågældende kemikalie.

V. VEDLIGEHOJDELSE

Anvend kun en tør, blød klud til aftørring af værktøjet. Anvend ikke en fugtig klud, fortynder, rensbenzin eller andre flygtige opløsningsmidler til rengøringen.

VI. TILBEHØR

⚠ FORSIGTIG:

- Anvendelse af ekstraudstyr, der ikke er nævnt i denne manual, kan resultere i brand, elektrisk chok eller personskader. Anvend kun anbefalet ekstraudstyr.

Metalsavblad

- EY9SXMJ0E

Til almindelig afskæring af metal

Træsavblad

- EY9SXWJ0E

Til almindelig afskæring af træ

Tørmurblad

- EY9SXXJ0E

Til almindelig skæring af tørmur

Parallelanslag (Ekstratilbehør)

- EY9X011E

Til at forenkle afskæring i længden samt gentagne afskæringer af samme størrelse.

Støvadapter til støvsuger (Ekstratilbehør)

- EY9X009E

VII. SPECIFIKATIONER

HOVEDENHED

Model	EY4541	
Motor	14,4 V DC	
Maks. tykkelse af monteringsblad	1,3 mm (1/16")	
Slaglængde	20 mm (25/32")	
Slag i minuttet	0 - 2400 /min	
Maks. skærekapacitet	Træ	65 mm (2-9/16")
	Smedestål	6 mm (1/4")
	Aluminium	10 mm (3/8")
Længde i alt	270 mm (10-5/8")	
Vægt (med akku: EY9L40)	2,2 kg (4,8 lbs)	
Vægt (med akku: EY9L41)	2,25 kg (5 lbs)	
Støj, Vibration	Se vedlagte ark	

AKKU

Model	EY9L40	EY9L41
Opbevaringsbatteri	Li-ion batteri	
Batterispænding	14,4 V DC (3,6 V x 4 celler)	
Kapacitet	3 Ah	3,3 Ah

BATTERIOPLADER

Model	EYOL80
Mærkedata	Se mærkepladen på undersiden af opladeren.
Vægt	0,95 kg (2,1 lbs)

[Li-ion akku]

Opladningstid	3 Ah	14,4 V	21,6 V	28,8 V
		EY9L40	EY9L60	EY9L80
		Brugbar: 35 min.	Brugbar: 45 min.	Brugbar: 55 min.
		Fuld: 50 min.	Fuld: 60 min.	Fuld: 70 min.
Opladningstid	3,3 Ah	14,4 V		
		EY9L41		
		Brugbar: 45 min.		
		Fuld: 60 min.		

[Ni-Cd/Ni-MH akku]

Opladningstid	1,2 Ah	7,2 V	9,6 V	12 V	15,6 V	18 V	24 V	
		EY9065 EY9066	EY9080 EY9086	EY9001 EY9006				
	1,7 Ah	20 min.						
			EY9180 EY9182	EY9101 EY9103				
	2 Ah	25 min.						
		EY9168	EY9188	EY9106 EY9107 EY9108	EY9136		EY9116 EY9117	
	3 Ah	30 min.						60 min.
				EY9200	EY9230		EY9210	
3,5 Ah	45 min.					90 min.		
			EY9201	EY9231	EY9251			
	55 min.		65 min.					

BEMÆRK: Denne oversigt kan inkludere modeller, der ikke fås i dit område.
Se venligst det nyeste, almindelige katalog.

BEMÆRK: Med hensyn til forhandlernavn og adresse henvises til det vedlagte garanti-kort.



I. ANVÄNDNING

Tack för att du har köpt Panasonics stick-såg. Denna sticksåg kan användas med Panasonics laddningsbara batterier och ger riktigt bra sågprestanda. Sticksågen får endast skära i metall, trä och gips. Läs häftet "Säkerhetsföreskrifter" och nedanstående anvisningar, innan verktyget tas i bruk.

II. YTTERLIGARE SÄKERHETSREGLER

- 1) **Håll verktyget i de isolerade greppytorna när du arbetar på ett stycke som kan innehålla dolda ledningar.** Kontakt med en strömförande ledning kan göra att även metalldelarna på verktyget blir strömförande och kan orsaka elstötar.
- 2) **Använd klämmor eller något annat praktiskt sätt att säkra och fästa arbetsstycket på en stabil plattform.** Att hålla arbetsstycket för hand eller mot din kropp gör det instabilt och kan leda till att du tappar kontrollen över verktyget.
- 3) **Håll händerna borta från sågytan och bladet.** Håll i de isolerade greppytorna. Om båda händerna håller i verktyget kan de inte skäras på bladet.
- 4) **Håll aldrig arbetsstycket i händerna eller över benen.** Det är viktigt att fästa arbetsstycket ordentligt för att inte tappa kontrollen eller utsätta kroppsdelar för skaderisk.
- 5) **Observera att det här verktyget alltid är i driftstillstånd eftersom det inte behöver vara anslutet till ett vägguttag.**
- 6) **Använd alltid skyddsglasögon eller glasögon med sidoskydd. Vanliga glasögon eller solglasögon är INTE skyddsglasögon.**
- 7) **Använd en dammfiltermask när du arbetar med ett trästycke i ett trångt utrymme (t.ex. inomhus).**

- 8) **Undvik att skära i spikar.** Undersök arbetsstycket och avlägsna eventuella spikar innan arbetet inleds.
- 9) **Såga inte alltför stora arbetsstycken.**
- 10) **Kontrollera friutrymmet runt arbetsstycket innan arbetet inleds så att bladet inte riskerar att träffa golvet, arbetsbänken e.d.**
- 11) **Håll verktyget i ett stadigt grepp.**
- 12) **Se till att bladet inte vidrör arbetsstycket innan strömmen slås på.**
- 13) **Håll händerna borta från rörliga delar.**
- 14) **Rör inte vid bladet eller arbetsstycket strax efter avslutat arbete då dessa kan vara ganska heta och orsaka brännskador.**
- 15) **Sväng aldrig verktyget.**
- 16) **Använd aldrig deformerade eller spruckna sågblad.**
- 17) **Använd inte sågblad som inte överensstämmer med egenskaperna som anges i denna bruksanvisning.**
- 18) **Ta bort batteriet från verktygsstommen före byte av blad, justeringar eller annat underhållsarbete.**
- 19) **Använd hörselskydd när du använder verktyget under längre perioder.**

Symbol	Betydelse
V	Volt
---	Direkt ström
n ₀	Tomgångsvarv
... min ⁻¹	Varv eller pendlingar per minut
Ah	Batteriets elektriska kapacitet
	För att minska risken för skador måste användaren läsa och förstå bruksanvisningen.
	Endast för inomhusbruk.

⚠ VARNING:

- Använd inte andra batterier än Panasonic-batterier som är utformade för det laddningsbara verktyget.
- Kasta inte batterier i eld eller utsätt dem för hög värme.
- Slå inte in spikar i batteriet eller utsätt det för stötar. Ta inte isär det eller försök ändra på det.
- Låt inte metallföremål komma i kontakt med batteripolerna.
- Bär eller förvara inte batterier på samma ställe som spikar eller liknande metallföremål.
- Ladda inte batteriet på en plats med hög temperatur, t.ex. i närheten av öppen eld eller i direkt solljus. Det kan göra att batteriet överhettas, fattar eld eller exploderar.
- Använd inte någon annan laddare än den avsedda när batteriet laddas. Det kan göra att batteriet läcker, överhettas eller exploderar.
- Sätt alltid på batteriskyddet efter att det laddningsbara batteriet har demonterats från verktyget eller laddaren. Annars kan det hända att batterikontakterna kortsluts, vilket medför risk för eldsvåda.

III. MONTERING

⚠ VARNING:

För att minska risken för skada ska du alltid ta bort batteriet innan du byter bladet.

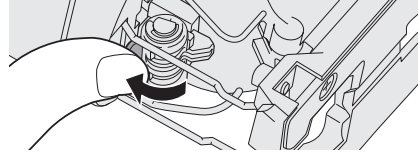
Undersökning före användning

- Har korrekt sticksågsblad för föremålet som ska skäras satts på?
- Har korrekt spindelform och bladjocklek monterats?
- Kontrollera om bladet har satts fast ordentligt.
- Kontrollera om bladet är sprucket eller skadat.
- Se till att det inte är några främmande föremål i det föremål som ska skäras.

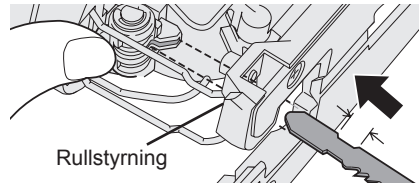
Montera och ta bort bladet

Montering

1. Torka bort sågdamm från sågbladet och sågbladshållaren.
2. Lyft upp spaken för festsättning/borttagning av sågbladet.



3. Sätt in bladet i bladets klampfäste och sätt baksidan av bladet längs rullstyrningen, så att baksidan av sticksågsbladet glider längs rullstyrningen.



4. Lossa spaken för festsättning/borttagning av sågbladet.
 - När bladet sitter säkert på plats återgår spaken till sin ursprungliga position.
 - Kontrollera att den bakre delen av bladet sitter i rullstyrningens spår.

⚠ VARNING:

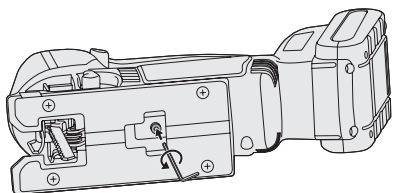
Om sågbladet inte trycks in tillräckligt djupt kan det plötsligt stötas ut under arbetsgången. Detta är ytterst farligt.

Borttagning

1. Lyft upp spaken för festsättning/borttagning av sågbladet.
2. Dra ut bladet.

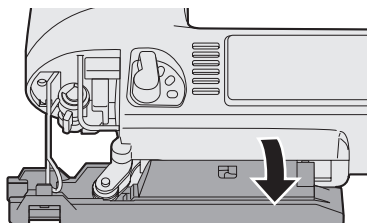
Justera basen

1. Använd insexnyckeln för att lossa bas-skraven.



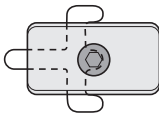
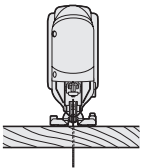
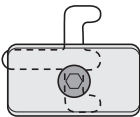
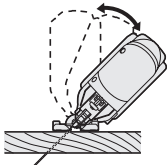
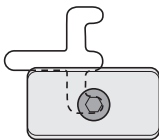
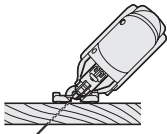
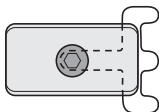
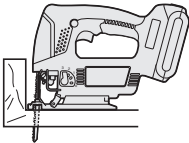
2. Flytta basen längs basjusteringshålet för att den ska komma i läge. (Se diagrammet till höger.)

- Basen kan justeras till mellan 0° och 45° åt sidan och läget framåt/bakåt kan också justeras. Om du lutar basen åt sidan, ska du ta bort dammskyddet först.
- Använd lutningsindexet för att bestämma vinkeln.
- Parallellanslagsskruven ska sitta på motsatt sida mot där verktyget är fäst.



3. Använd insexnyckeln för att spänna bas-skraven.

Basens position och användningens syfte

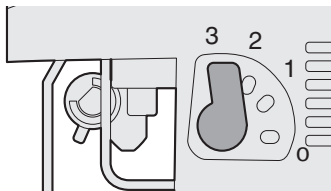
Basjusteringshål	Användningens syfte
	Normal rätvinklig sågning 
	Sågning i en vinkel på mellan 0° och 45° 
	Sågning i en vinkel på 45° 
	Sågning nära slutet av en vägg 

OBSERVERA:

Detta är en ungefärlig guide. Den faktiska vinkeln på skärspåret påverkas av faktorer som hur du håller verktyget mot ytan.

Justera pendelslagsläget

- Justera pendelslagsläget för föremålet som ska skäras.



Spakläge	Bladrörelser	Huvudanvändning
0	 Endast vertikalt	<ul style="list-style-type: none"> • Skära i hård metall som stål • Skära byggnadsmaterial och plywoodskivor jämnt • Skära runt små kurvor
1	 Lågt pendelslagsläge	<ul style="list-style-type: none"> • Skära mjukare metaller som aluminium och andra metaller än järn • Skära lövträ, plywoodskivor och plast
2	 Mellanhögt pendelslagsläge	<ul style="list-style-type: none"> • Skära ganska mjuka material • Skära trä och kompositskivor • Skära aluminium och mjukt stål i hög hastighet
3	 Högt pendelslagsläge	<ul style="list-style-type: none"> • Skära mjuka material • Skära material som träd, kompositskivor och plast i hög hastighet

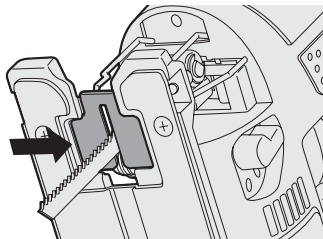
- Om du vill få en jämnare yta ska du sätta pendelslagsläget på en låg nivå.

Antisplitringsplatta

Använd antisplitringsplattan för att minska flisor medan du sågar i trä.

Montering

1. Sätt basen i 90 grader.
2. Placera antisplitringsplattan på undersidan av basen och tryck försiktigt in den.
 - Montera den så att den fasade kanten på spåret i mitten av antisplitringsplattan är vänd mot sticksågen.

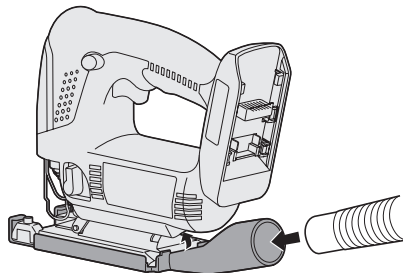


Dammadapter för dammsugare (EY9H009E) (Finns som tillbehör, medföljer ej)

Du kan använda en dammsugare för att samla upp sågdamm under sågningen.

Montering

1. Anslut dammsamlingsadaptorns hake till den främre delen av basen.
2. Knäpp till den bakre delen för att montera den.
3. Anslut dammsugarens slang.



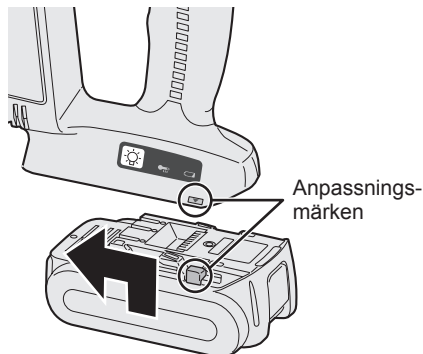
- Det rekommenderas att du använder en dammadapter för att minska risken för skador på ytan på föremål som sågas.

Montering/demontering av batteri

1. För att ansluta batteriet:

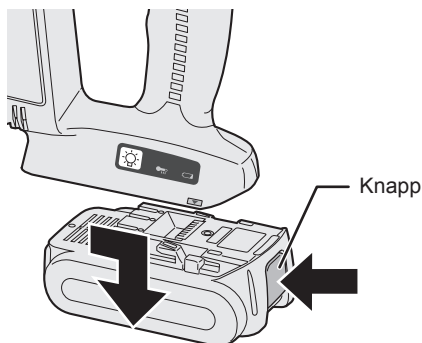
Placera anpassningsmärkena mot varandra och sätt fast batteriet.

- Skjut batteriet bakåt tills det hakar fast i korrekt läge.



2. För att ta bort batteriet:

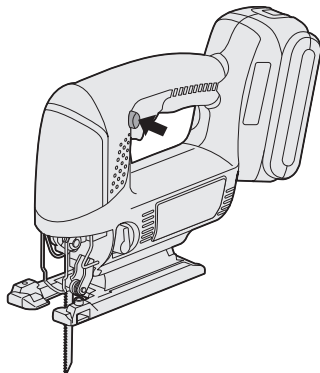
Tryck in frigöringsknappen framifrån för att ta bort batteriet.



IV. DRIFT

1. Tryck ned strömbrytarspärren och dra i strömbrytaren.

- Hastigheten ökar med antalet tryck på strömbrytaren.



2. Släpp strömbrytaren när sågningen är klar.

3. Kontrollera att bladets temperatur har sjunkit tillräckligt och ta sedan bort bladet.

Sågning

OBSERVERA:

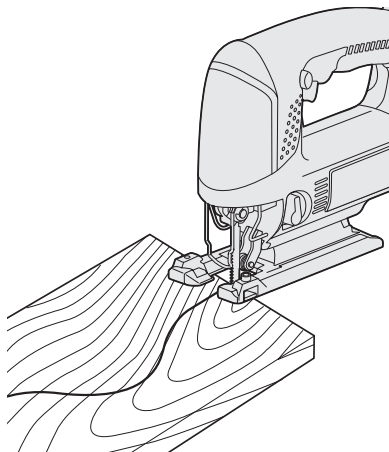
- Kontrollera att det inte finns några hinder för att såga under arbetsstycket.
- Kontrollera att det inte finns några föremål, t.ex. spikar, i materialet som ska sågas.

Om bladet kommer i kontakt med några sådana föremål under sågning kommer en stark reaktionskraft att genereras och allvarliga skador kan inträffa.

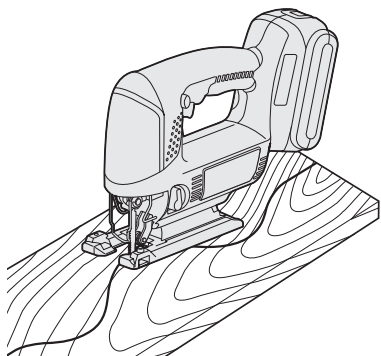
- Placera inte handen på föremålet i den riktning som sågningen ska göras. Om detta inte följs finns risk för skada.
- Rör inte sticksågsbladet omedelbart efter sågning. Om detta inte följs finns risk för brännskada.

Sågning längs markerade linjer

1. Placera föremålet som ska sågas på basen och rikta bladet mot den markerade linjen.
 - Rör inte med bladet mot föremålet som ska sågas innan du har dragit i strömbrytaren.

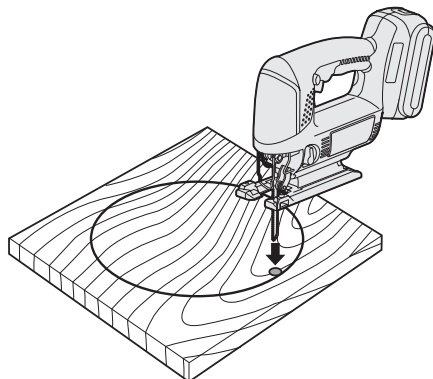


2. Dra i strömbrytaren, vänta tills hastigheten har stabiliserats och placera sedan basen mot föremålet som ska sågas längs den markerade linjen.
 - Minska skär- och vändhastigheten när du skär komplexa former som former med många små kurvor.



Instickssågning

1. Gör ett borrhål i delen som ska sågas där bladet kan föras in.
2. För in bladet i hålet utan att röra arbetsstycket och slå sedan på strömbrytaren.



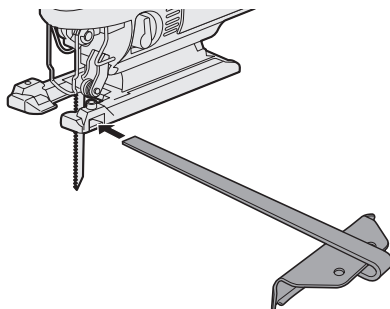
3. Skär längs den markerade linjen.

Använda parallellanslag (EY9X011E) (Finns som tillbehör, medföljer ej)

Ett parallellanslag kan användas för att skära parallella linjer och för att skära cirklar och bågar.

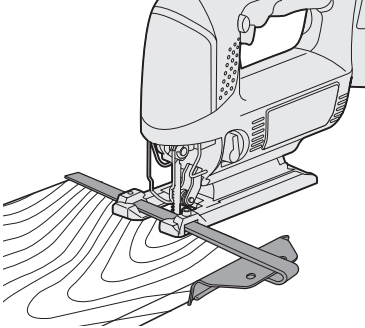
Montera parallellanslaget

1. Lossa parallellanslagsskruven.
2. För parallellanslaget genom fästet.
3. Justera skärpositionen och spänn skruven.



Sågning på samma bredd

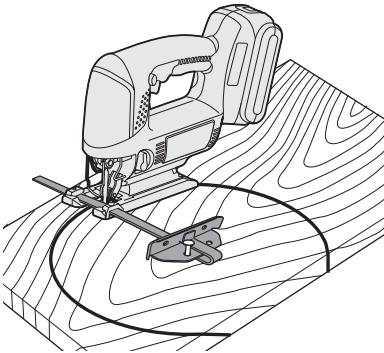
1. Placera basen på arbetsstycket så att kanten på parallellanslaget och arbetsstycket sätts ihop.



2. Slå på strömbrytaren utan att låta bladet komma i kontakt med arbetsstycket.
3. Sätt parallellanslaget stadigt mot arbetsstycket för att såga en parallell linje.

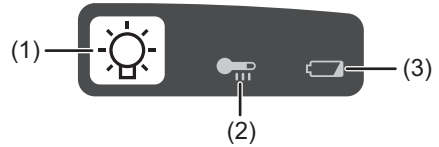
Skära cirklar

1. Om du ska skära bort en del, ska du göra ett borrhål på arbetsstycket som sticksågsbladet kan föras in i.
2. Rikta in parallellanslagets hål mot mitten av cirkeln och använd sedan en spik eller skruv för att hålla föremålet på plats.

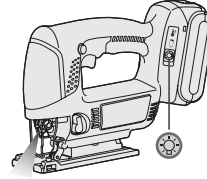



3. Slå på strömbrytaren utan att röra arbetsstycket.
4. Skär längs den markerade linjen.

Kontrollpanel



(1) Lysdiodljus



Drag alltid en gång i strömbrytaren före användning av LED-ljuset. Tryck på  för att tända LED-ljusknappen.

Ljuset förbrukar väldigt lite ström och har ingen negativ påverkan på verktygets prestanda vid batteridrift.

⚠ VIKTIGT:

- Det inbyggda lysdiodljuset är avsett för temporär belysning av ett litet arbetsområde.
- Använd inte lysdiodljuset som ersättning för en vanlig ficklampa, eftersom dess ljusstyrka inte räcker till det.
- Lysdiodljuset släcks när verktyget inte har använts under 5 minuter.

Viktigt : TITTA INTE RAKT IN I STRÅLEN.

Användning av reglage, justeringar eller utförande av åtgärder utöver vad som beskrivs här kan resultera i exponering för farlig strålning.

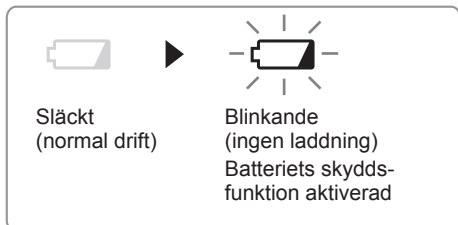
(2) Varningslampa för överhettning



Skyddsfunktionen för överhettning stoppar verktygets drift för att skydda batteriet i händelse av överhettning. Varningslampan för överhettning på kontrollpanelen blinkar när denna funktion har aktiverats.

- Om skyddsfunktionen för överhettning har aktiverats, så ska du låta verktyget svalna ordentligt (i minst 30 minuter). Verktyget kan användas igen efter att varningslampan för överhettning har slöknat.
- Undvik att använda verktyget på ett sätt som medför att skyddsfunktionen för överhettning aktiveras upprepade gånger.

(3) Varningslampa för svagt batteri



För mycket (fullständig) urladdning av ett litiumjonbatteri förkortar dess livslängd väsentligt. Verktyget har en skyddsfunktion för batteriet avsedd att förhindra alltför stor urladdning av batteriet.

- Batteriets skyddsfunktion aktiveras strax innan batteriet förlorar sin laddning, varpå varningslampan för svagt batteri börjar blinka.
- Ladda genast upp batteriet om du märker att varningslampan för svagt batteri blinkar.

[Batteri]

För lämplig användning av batteriet

Litiumjonbatteri (EY9L40/EY9L41)

- Förvara litiumjonbatteriet utan att ladda upp det efter användning för att få optimal batterilivslängd.
- Kontrollera vid laddning av batteriet att polerna på batteriladdaren är fria från främmande ämnen, t.ex. damm eller vatten. Rengör polerna innan batteriet laddas, om något främmande ämne återfinns på polerna. Batteripolernas livslängd kan vid drift påverkas av främmande ämnen, t.ex. damm eller vatten.
- När batteriet inte ska användas ska det hållas borta från metallföremål som gem, mynt, nycklar, spikar, skruvar eller andra små metallföremål som kan orsaka kortslutning genom att vidröra polerna. En kortslutning av batteriets poler kan orsaka gnistor, brand eller brännskador.
- Se till att arbetsområdet har god ventilation vid användning av batteriet.
- Sätt genast på batteriskyddet igen efter att batteriet har tagits bort från verktygshuset för att förhindra ansamling av damm eller smuts på batteripolerna och kortslutning.



Batteriets livslängd

De laddningsbara batterierna har en begränsad livslängd. Om batteriets kapacitet är extremt kort efter att ha laddats ordentligt, ska det bytas ut mot ett nytt.

Batteriåtervinning

ANMÄRKNING:

Se till att batteriet lämnas på anvisad plats för återvinning, om sådan finns, för att bidra till att skydda miljön.

[Batteriladdare] Laddning

Försiktighetsåtgärder för litiumjonbatterier

- Om batteriets temperatur sjunker till under cirka -10°C , så avbryts laddning automatiskt för att förhindra försämring av batteriets prestanda.

Gemensamma försiktighetsåtgärder för litiumjon- och NiMH/NiCd-batterier

- Temperaturen i omgivningen ska vara mellan 0°C och 40°C . Om batteriet används under fryspunkten 0°C , kan verktyget fungera onormalt.
- När du ska ladda ett kallt batteri (under 0°C) på ett varmt ställe, ska du låta batteriet ligga på detta ställe minst en timme i förväg så att batteriet får rumstemperatur.
- Kyl ner laddaren om du tänker ladda mer än två batterier i följd.
- Stick inte in fingrarna i kontakthålet när du håller laddaren i handen eller vid andra tidpunkter.

⚠ VIKTIGT:

lakta följande för att förhindra brand och andra skador.

- Använd inte en motordriven generator som strömkälla.
- Täck inte över ventilationshålen på laddaren och batteriet.
- Koppla loss batteriladdaren från vägguttaget, när den inte ska användas.

Litiumjonbatteri

OBSERVERA:

Batteriet är inte helt uppladdat när det säljs. Se till att ladda upp batteriet före användning.

Batteriladdare (EY0L80)

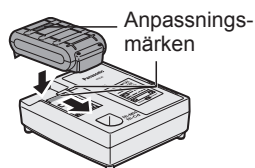
1. Anslut laddaren till ett vägguttag.

OBSERVERA:

Det kan uppstå gnistor när kontakten är ansluten till ett vägguttag, men detta utgör inte något säkerhetsproblem.

2. Sätt i batteriet ordentligt i laddaren.

1. Placera batteriet i dockan på laddaren med anpassningsmärkena placerade mot varandra.
2. Skjut batteriet framåt i pilens riktning.



3. Under laddningen lyser laddningslampan. För att förhindra överladdning kopplar en inbyggd brytare automatiskt bort laddningsfunktionen när laddningen är färdig.

- Om batteriet är för varmt (t.ex. direkt efter tungt arbete) startar inte laddningen.

Den orange standby-lampan blinkar tills batteriet har svalnat.

Därefter påbörjas laddningen automatiskt.

4. Den gröna laddningslampan börjar blinka långsamt när batteriet har nått cirka 80 % laddning.
5. När laddningen är klar börjar den gröna laddningslampan blinka intensivt.
6. Om batteriets temperatur är 0 °C eller lägre, så tar det längre tid än normalt att ladda upp batteriet helt.
Även när batteriet har laddats upp helt har det bara cirka 50 % av den styrka som gäller för ett batteri som laddats upp helt vid normala temperaturförhållanden.
7. Om strömindikatorn inte tänds omedelbart efter att laddaren har anslutits till ett nätuttag eller om laddningslampan inte blinkar intensivt grön efter normal laddningstid, ska du kontakta en auktoriserad serviceverkstad.
8. Vid isättning av ett fulladdat batteri i laddaren på nytt kommer laddningslampan att tändas. Efter några minuter börjar laddningslampan blinka snabbt för att visa att laddningen är klar.
3. Under laddningen lyser laddningslampan. För att förhindra överladdning kopplar en inbyggd brytare automatiskt bort laddningsfunktionen när laddningen är färdig.
 - Om batteriet är för varmt (t.ex. direkt efter tungt arbete) startar inte laddningen.
Den orange standby-lampan blinkar tills batteriet har svalnat. Därefter påbörjas laddningen automatiskt.
4. När laddningen är klar börjar den gröna laddningslampan blinka intensivt.
5. Om laddningslampan inte tänds omedelbart efter att laddaren har anslutits till ett nätuttag eller om laddningslampan inte blinkar intensivt grön efter normal laddningstid, ska du kontakta en auktoriserad serviceverkstad.
6. Vid isättning av ett fulladdat batteri i laddaren på nytt kommer laddningslampan att tändas. Efter några minuter börjar laddningslampan blinka snabbt för att visa att laddningen är klar.

NiMH/NiCd-batteri

OBSERVERA:

När batteriet laddas för första gången, eller efter lång lagring, ska det laddas under 24 timmar för att nå full effekt.

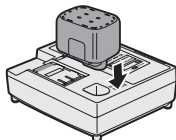
Batteriladdare (EY0L80)

1. Anslut laddaren till ett vägguttag.

OBSERVERA:

Det kan uppstå gnistor när kontakten är ansluten till ett vägguttag, men detta utgör inte något säkerhetsproblem.

2. Sätt i batteriet ordentligt i laddaren.



LAMPINDIKERINGAR



Lysande grön
Laddaren är ansluten till vägguttaget.
Redo för laddning.



Intensivt blinkande grön
Laddningen är färdig. (Full laddning.)



Blinkande grön
Batteriet är laddat till ca 80 %. (Batteriet kan användas.
Endast litiumjonbatteri.)



Lysande grön
Laddning pågår.



Lysande orange
Batteriet är kallt.
Batteriet laddas upp långsamt för att minska belastningen på
batteriet. (Endast litiumjonbatteri.)



Blinkande orange
Batteriet är för varmt. Laddningen startar när batteriet har
svalnat.

Om batteriets temperatur är -10°C eller lägre, så börjar
den orange laddningslampan också att blinka. Laddningen
startar då efter att batteriet har värmts upp (gäller endast
litiumjonbatteri).



Laddningslampor (för laddningsstatus)
Vänster: grön Höger: orange lampa



Intensivt blinkande både orange och grön
Laddningen kan inte starta. För mycket damm eller felaktigt
batteri.

Information för användare om hopsamling och avfallshantering av gammalt material och använda batterier



Dessa symboler på produkter, förpackningar och/eller medföljande dokument betyder att man inte ska blanda elektriska och elektroniska produkter eller batterier med vanliga hushållssopor.



För att gamla produkter och använda batterier ska hanteras och återvinnas på rätt sätt ska man ta dem till passande uppsamlingsställe i enlighet med nationella bestämmelser och direktiven 2002/96/EC och 2006/66/EC.



När du kasserar dessa produkter och batterier på rätt sätt hjälper du till att spara på värdefulla resurser och förebygga en potentiell negativ inverkan på människors hälsa och på miljön som annars skulle kunna uppstå p.g.a. otillbörlig avfallshantering.



För mer information om uppsamling och återvinning av gamla produkter och batterier, var god kontakta din kommun, din avfallshanterare eller det försäljningsställe där du köpte din artikel.

Olämplig avfallshantering kan beläggas med straff i enlighet med nationella bestämmelser.

Cd

För affärsanvändare inom den Europeiska Unionen

Om du vill kassera elektrisk eller elektronisk utrustning, var god kontakta din återförsäljare eller leverantör för ytterligare information.

[Information om avfallshantering i länder utanför den Europeiska unionen]

Dessa symboler är endast giltiga inom den Europeiska Unionen. Om du vill kassera dessa föremål, var god kontakta dina lokala myndigheter eller din lokala återförsäljare och fråga efter rätt metod för avfallshantering.

Notering till batterisymbolen (nedtill, två symbolexempel):

Denna symbol kan användas i kombination med en kemisk symbol. I detta fall iakttar den de krav som ställs upp i direktivet för den aktuella kemikalien.

V. UNDERHÅLL

Använd endast en torr, mjuk trasa för att torka bormaskinen. Använd inte en fuktig trasa, thinner, bensin eller någon annan flyktig lösning vid rengöring.

VI. TILLBEHÖR

⚠ VIKTIGT:

- Om du använder andra tillbehör än vad som anges här kan det leda till brand, elektrisk stöt och personskador. Använd endast rekommenderade tillbehör.

Metallsågblad

- EY9SXMJ0E

För allmän kapning av metall

Träsågblad

- EY9SXWJ0E

För allmän kapning av trä

Sågblad för gips

- EY9SXXJ0E

För allmän kapning av kallmur

Parallellanslag (Valfritt tillbehör)

- EY9X011E

För att förenkla kapning på längden samt upprepade kapningar av samma storlek.

Dammadapter för dammsugare (Valfritt tillbehör)

- EY9X009E

VII. TEKNISKA SPECIFIKATIONER

HUVUDENHET

Modell	EY4541	
Motor	14,4 V likström	
Max. tjocklek för monteringsblad	1,3 mm (1/16")	
Slaglängd	20 mm (25/32")	
Slag per minut	0–2400/min	
Maximal skärkapacitet	Trä	65 mm (2-9/16")
	Mjukt stål	6 mm (1/4")
	Aluminium	10 mm (3/8")
Total längd	270 mm (10-5/8")	
Vikt (inkl. batteriet: EY9L40)	2,2 kg (4,8 lbs)	
Vikt (inkl. batteriet: EY9L41)	2,25 kg (5 lbs)	
Buller, Vibration	Se det bifogade arket	

BATTERI

Modell	EY9L40	EY9L41
Akkumulatorbatteri	Litiumjonbatteri	
Batterispänning	14,4 V likström (3,6 V × 4 celler)	
Kapacitet	3 Ah	3,3 Ah

BATTERILADDARE

Modell	EY0L80
Märkdata	Se märkplåten på undersidan av laddaren.
Vikt	0,95 kg (2,1 lbs)

[Litiumjonbatteri]

Laddningstid	3 Ah	14,4 V	21,6 V	28,8 V
		EY9L40	EY9L60	EY9L80
		Användbar uppladdning: 35 min.	Användbar uppladdning: 45 min.	Användbar uppladdning: 55 min.
		Fullständig uppladdning: 50 min.	Fullständig uppladdning: 60 min.	Fullständig uppladdning: 70 min.

Laddningstid	3,3 Ah	14,4 V		
		EY9L41		
		Användbar uppladdning: 45 min.		
		Fullständig uppladdning: 60 min.		

[NiMH/NiCd-batteri]

Laddningstid	1,2 Ah	7,2 V	9,6 V	12 V	15,6 V	18 V	24 V
		EY9065	EY9080	EY9001			
		EY9066	EY9086	EY9006			
		20 min.					
	1,7 Ah		EY9180	EY9101			
			EY9182	EY9103			
		25 min.					
	2 Ah	EY9168	EY9188	EY9106 EY9107 EY9108	EY9136		EY9116 EY9117
		30 min.					60 min.
	3 Ah			EY9200	EY9230		EY9210
				45 min.		90 min.	
3,5 Ah			EY9201	EY9231	EY9251		
				55 min.		65 min.	

OBSERVERA: Tabellen kan innehålla modeller som inte säljs i ditt område.
Vi hänvisar till den senaste allmänna katalogen.

OBSERVERA: Återförsäljarens namn och adress anges på det medföljande garantikortet.

I. TILSIKTET BRUK



Takk for at du har kjøpt Panasonic stikk-sag. Denne stikksagen kan brukes med Panasonic oppladbare batterier for å gi utmerket skjæreytelse. Stikksagen er kun ment for skjæring av metall, tre og gipsplater.

Les heftet om sikkerhetsinstruksjoner og følgende før bruk.

II. YTTERLIGERE SIKKERHETSREGLER

- 1) **Hold verktøyet med de isolerte håndtakene når man utfører oppgaver hvor verktøyet kan komme i kontakt med skjulte ledninger.** Kontakt med en strømførende ledning gjør at metalldelene av verktøyet også blir strømførende, og kan utsette brukeren for elektrisk støt.
- 2) **Bruk klemmer eller andre praktiske metoder for å sikre og støtte arbeidsstykket på et stabilt underlag.** Hvis du holder arbeidsstykket med hånden eller mot kroppen, blir det ustødig, og kan føre til at du mister kontrollen.
- 3) **Hold hendene unna skjæreamrådet og sagbladet. Hold tak i de isolerte håndtakene.** Hvis begge hendene holder verktøyet, kan de ikke bli skadet av bladet.
- 4) **Hold aldri arbeidsstykket med hendene eller på tvers av beina.** Det er viktig at arbeidsstykket støttes skikkelig for å redusere faren for at kroppen blir utsatt for skade eller at man mister kontrollen.
- 5) **Vær oppmerksom på at dette verktøyet alltid er start-klart, ettersom det ikke behøver å plugges til nettstrøm.**
- 6) **Bruk alltid vernebriller eller briller med sideskjermer. Vanlig briller eller solbriller er IKKE vernebriller.**
- 7) **Bruk støvmaske når man arbeider med tre på et begrenset område (f.eks. innendørs).**

- 8) **Unngå å skjære spiker. Kontroller at arbeidsstykket er fri fra spikrer. Fjern dem før du begynner arbeidet.**
- 9) **Skjær ikke for store arbeidsstykker.**
- 10) **Kontroller at det er god nok klaring rundt arbeidsstykket før arbeidet begynnes, slik at sagbladet ikke kommer i kontakt med gulvet, arbeidsbordet, osv.**
- 11) **Hold verktøyet godt fast.**
- 12) **Forsikre deg om at bladet ikke er i kontakt med arbeidsstykket før bryteren slås på.**
- 13) **Hold hendene unna bevegelige deler.**
- 14) **Ikke berør bladet eller arbeidsstykket umiddelbart etter arbeidet; de kan være svært varme og det er fare for forbrenning.**
- 15) **Sving aldri verktøyet.**
- 16) **Bruk ikke blader som er deformert eller med sprekker.**
- 17) **Bruk ikke blader som ikke er i samsvar med karakteristikkene spesifisert i denne bruksanvisningen.**
- 18) **Ta batteripakken ut av verktøyet før du bytter blad, gjør justeringer eller utfører annet vedlikehold.**
- 19) **Benytt hørselsvern ved bruk av verktøyet over lengre perioder.**

Symbol	Betydning
V	Volt
---	Likestrøm
n ₀	Hastighet uten belastning
... min ⁻¹	Omdreininger eller slag per minutt
Ah	Elektrisk kapasitet til batteripakke
	For å redusere faren for personskader, må brukeren ha lest og forstått bruksanvisningen.
	Kun for innendørs bruk.

⚠ ADVARSEL:

- Bruk ikke andre batteripakker enn Panasonic batteripakker som er utviklet til bruk i dette oppladbare verktøyet.
- Batteripakken må ikke brennes eller utsettes for kraftig varme.
- Det skal ikke slås spiker eller lignende inn i batteripakken, og den må ikke utsettes for sjokk eller demonteres, og det må ikke gjøres forsøk på å modifisere den.
- Ikke la metallgjenstander komme i berøring med polene på batteripakken.
- Ikke oppbevar eller frakt batteripakken i samme beholder som spiker eller lignende metallgjenstander.
- Batteripakken må ikke lades på et sted med høy temperatur, for eksempel ved siden av åpen ild eller i direkte sollys. Dette kan føre til overoppheting av batteriet, og det kan ta fyr eller eksplodere.
- Bruk aldri andre ladere enn den som er anvist til lading av batteripakken. Dette kan føre til batterilekkasje, overoppheting eller eksplosjon.
- Etter at batteriet er tatt ut av verktøyet eller laderen, må du alltid sette pakkedekselet på plass. Dersom ikke det gjøres kan kontaktene kortsluttes, noe som medfører brannrisiko.

III. MONTERING

⚠ ADVARSEL:

For å redusere faren for personskader, må du alltid ta ut batteripakken før du skifter blad.

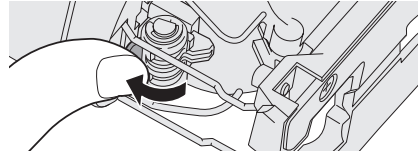
Inspeksjon før bruk

- Er det montert korrekt stikksagblad for objektet som skal skjæres?
- Er det montert korrekt spindelform og blad med korrekt tykkelse?
- Sjekk om bladet er godt festet?
- Sjekk om bladet har sprekker eller er skadet.
- Sjekk at det ikke er noen fremmedlegemer i objektet som skal skjæres.

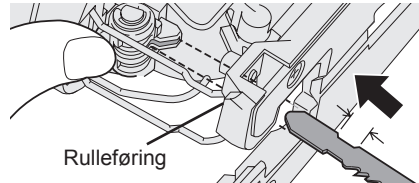
Installere og fjerne bladet

Installering

1. Tørk bort eventuelt skjærestøv fra bladet og bladklemmebraketten.
2. Løft opp spaken for feste/fjerning av blad.



3. Sett bladet inn i bladklemmebraketten og sett baksiden av bladet inn i sporet i rulleføringen, slik at baksiden av bladet glir i rulleføringen.



4. Slipp spaken for feste/fjerning av blad.
 - Når bladet er skikkelig festet, vil spaken gå tilbake til sin opprinnelige posisjon.
 - Sjekk at baksiden av bladet sitter i sporet i rulleføringen.

⚠ ADVARSEL:

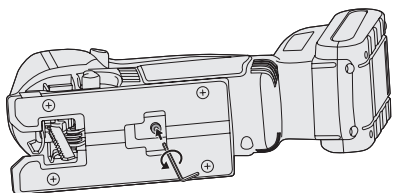
Hvis sagbladet ikke er dypt nok innsatt, kan det bli kastet ut uventet under bruk. Dette er svært farlig.

Fjerning

1. Løft opp spaken for feste/fjerning av blad.
2. Trekk ut bladet.

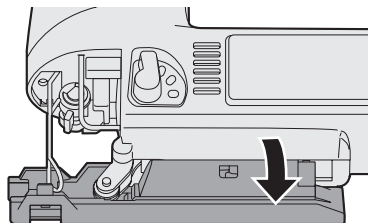
Justering av sokkelen

1. Bruk sekskantnøkkelen til å løsne sokkelfesteskruen.



2. Beveg sokkelen langs sokkeljusteringshullet for å stille inn posisjonen. (Se diagrammet til høyre.)

- Sokkelen kan justeres til mellom 0° og 45° sideveis, og posisjonen forover/bakover kan også justeres. Hvis man vipper sokkelen sideveis, ta først av støvdekslet.
- Se på skråindeksen for å bestemme vinkelen.
- Parallellanslagsfesteskruen skal festes på motsatt side av den veien verktøyet er skrådd.



3. Bruk sekskantnøkkelen til å stramme til sokkelfesteskruen.

Posisjon til sokkelen og dens formål

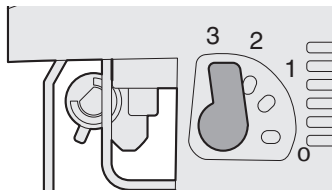
Sokkeljusteringshull, posisjon	Formål
	Normal rettvinklet skjæring
	Skjæring ved en vinkel mellom 0° og 45°
	Skjæring ved en vinkel på 45°
	Skjæring like ved enden av en vegg

MERK:

Dette er kun en grov veiledning. Den virkelige vinkelen til kuttet vil bli påvirket av faktorer som hvordan verktøyet holdes mot overflaten.

Justere slagmodusen

- Juster slagmodusen i forhold til objektet som skjæres.



Spakposisjon	Bladbevegelse	Hovedapplikasjoner
0	 Kun vertikalt	<ul style="list-style-type: none"> • Skjæring av harde metaller som stål • Jevn skjæring av byggematerialer og kryssfiner plater • Skjæring rundt små kurver
1	 Lav slagmodus	<ul style="list-style-type: none"> • Skjæring av mykere metaller som aluminium og andre ikkeferrometaller • Skjæring av hardtre, kryssfiner plater og plast
2	 Medium slagmodus	<ul style="list-style-type: none"> • Skjæring av myke materialer • Skjæring av tre og komposittplater • Høyhastighetsskjæring av aluminium og mykt stål
3	 Høy slagmodus	<ul style="list-style-type: none"> • Skjæring av myke materialer • Høyhastighetsskjæring av materialer som tre, komposittplater og plast

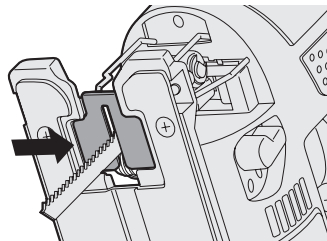
- Hvis du vil ha et jevnere kutt, sett slagmodusen til et lavere nivå.

Anti-splinteplate

Bruk anti-splinteplaten til å redusere oppsplinting mens du kutter tre.

Installering

1. Sett sokkelen i 90-graders stilling.
2. Plasser anti-splinteplaten på undersiden av sokkelen, og skyv den forsiktig for å montere den.
 - Installer slik at den skrå kanten av sporet i midten av anti-splinteplaten peker mot stikksagen.

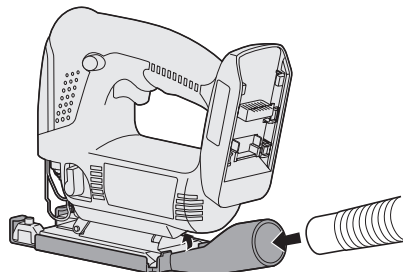


Støvadapter for støvsuger (EY9H009E) (leveres som tillegg, ikke inkludert)

Du kan bruke en støvsuger til å samle opp skjærestøv mens du sager.

Installering

1. Fest kroken til støvoppsamlingsadapret på framsiden av sokkelen.
2. Klikk fast på baksiden for å installere det.
3. Fest slangen til støvsugeren.



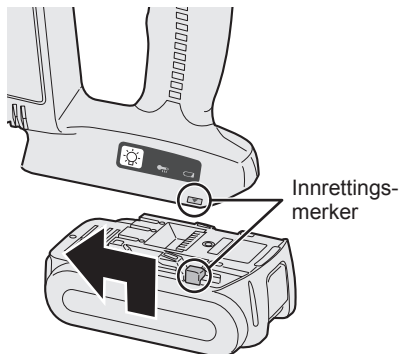
- Det anbefales å bruke et støvadapter for å redusere faren for skader på overflaten av objektet som skjæres.

Montere eller demontere batteripakken

1. Kople til batteripakken:

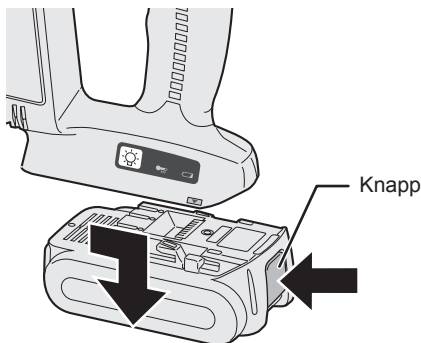
Rett inn innrettingsmerkene og sett på batteripakken.

- Skyv inn batteripakken til den sitter på plass.



2. Fjerne batteripakken:

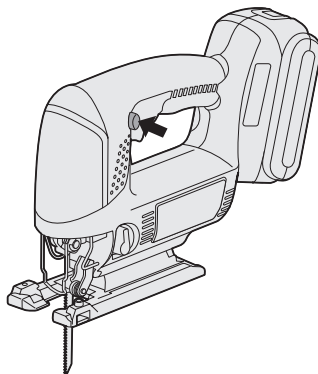
Trykk på knappen fra framsiden for å løse ut batteripakken.



IV. BETJENING

1. Trykk bryterlåsespaken ned, trykk inn strømknappen.

- Hastigheten øker avhengig av hvor langt man trykker inn strømknappen.



2. Slipp strømknappen med en gang du er ferdig med skjæringen.

3. Sjekk at temperaturen til bladet er tilstrekkelig lav, ta deretter av bladet.

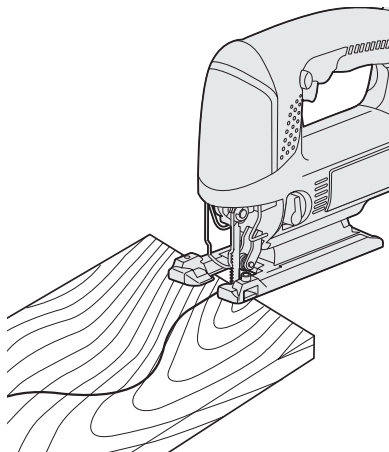
Skjæring

MERK:

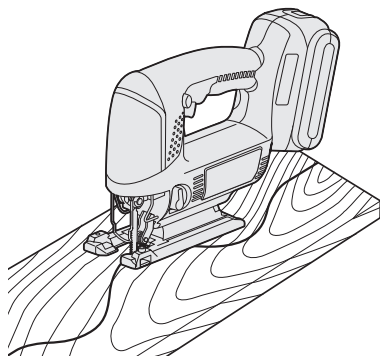
- Sjekk at det ikke er noen hindringer, som kan bli skjært over, under arbeidsstykket.
- Sjekk at det ikke er noen fremmedlegemer, som spiker, i objektet som skal skjæres. Hvis bladet kommer i kontakt med noen slike objekter under skjæringen, vil det oppstå en kraftig reaksjonskraft, og det kan inntre alvorlige personskader.
- Plasser ikke hånden din på objektet i den retningen skjæringen skal utføres. Hvis man ikke følger dette, er det fare for personskade.
- Berør ikke stikksagbladet umiddelbart etter skjæring. Hvis man ikke følger dette, kan det inntre forbrenninger.

Skjæring langs merkete linjer

1. Plasser objektet som skal skjæres på sokkelen og rett inn bladet med den merkete linjen.
 - Berør ikke bladet mot objektet som skal skjæres før du trykker inn strømknappen.

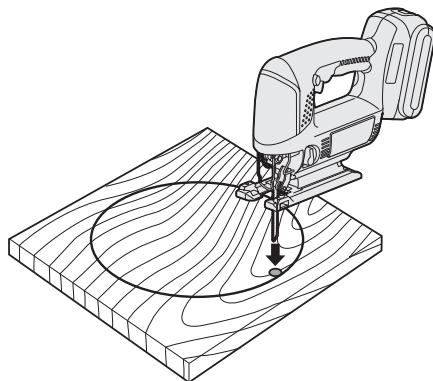


2. Trykk inn strømknappen, vent til hastigheten er stabil og plasser så sokkelen mot objektet som skal skjæres, og skjær langs de merkete linjene.
 - Når man skjærer komplekse former, som former med mange små kurver, reduser skjærehastigheten og svingehastigheten.



Dykksskjæring

1. Lag et borehull i den delen som skal dykkskjæres, slik at du får igjennom bladet.
2. Sett bladet inn i hullet uten å berøre arbeidsstykket, slå så på strømknappen.



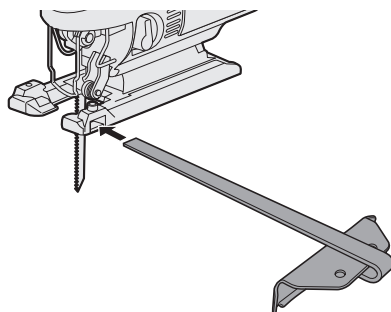
3. Skjær langs den merkete linjen.

Bruke et parallellanslag (EY9X011E) (leveres som tillegg, ikke inkludert)

Et parallellanslag kan brukes til skjæring av parallelle linjer og til skjæring av sirkler og buer.

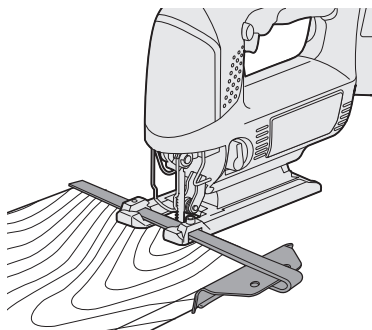
Installere parallellanslaget

1. Løsne festeskruen til parallellanslaget.
2. Før parallellanslaget gjennom festet.
3. Juster skjæreposisjonen og trekk så til festeskruen.



Skjære med samme bredde

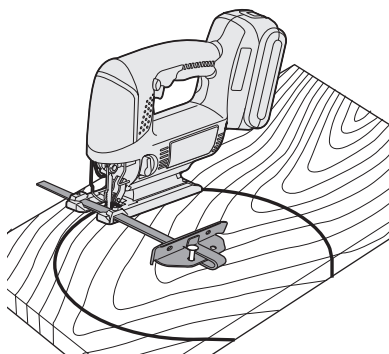
1. Plasser sokkelen på arbeidsstykket slik at kanten av parallellanslaget og arbeidsstykket er samlet.



2. Uten at bladet berører arbeidsstykket, slå på strømknappen.
3. Trykk parallellanslaget fast mot arbeidsstykket for å skjære langs en parallell linje.

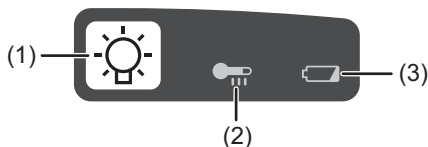
Skjæring av sirkler

1. Hvis du skjærer ut en seksjon, lag et borehull på arbeidsstykket for å sette gjennom stikksagbladet.
2. Rett inn stifthullet til parallellanslaget med sirkelens sentrum, bruk så en spiker til å holde fast objektet.

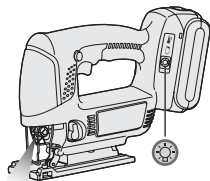


3. Uten at bladet berører arbeidsstykket, slå på strømknappen.
4. Skjær langs den merkete linjen.


Kontrollpanel



(1) LED-lys



Trekk alltid én gang i strømbryteren før LED-lyset brukes.

Trykk på LED-lysknappen .

Lyset bruker svært lite strøm, og det vil ikke påvirke redusere motorytelsen under bruk, eller batterikapasiteten.

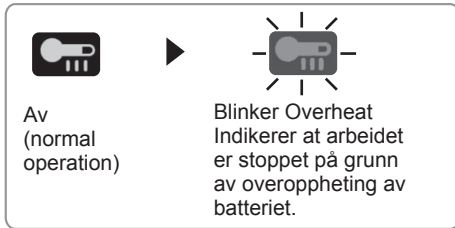
⚠ FORSIKTIG:

- Det innbygde LED-lyset er laget for midlertidig belysning av små arbeidsområder.
- Bruk det ikke som en erstatning for en lommelykt, da det ikke gir nok lys.
- LED-lyset slår seg av når verktøyet ikke er blitt brukt på 5 minutter.

Forsiktig : IKKE SE INN I LYSSTRÅLEN.

Bruk av kontroller eller justeringer eller gjennomføring av prosesser utenom de som er spesifisert her, kan føre til at man blir utsatt for farlig stråling.

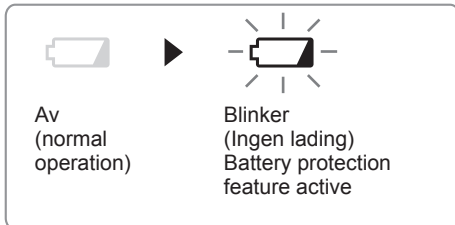
(2) Varsellampe for overoppheting



Funksjonen for å unngå overoppheting stopper motoren for å beskytte batteripakken fra skade ved overoppheting. Varsellampen for overoppheting på kontrollpanelet blinker når denne funksjonen er aktiv.

- Dersom funksjonen for å unngå overoppheting blir aktivert, ta nok tid for avkjøling av verktøyet (minst 30 minutter). Batteriet er klart for bruk igjen når varsellampen for overoppheting er sluknet.
- Unngå å bruke verktøyet slik at funksjonen for å hindre overoppheting aktiveres gjentatte ganger.

(3) Varsellampe for at batteriet er for lavt



Kraftig (fullstendig) utlading av Li-ion-batterier reduserer deres levetid dramatisk. Verktøyet har en batteribeskyttelsesfunksjon som er utviklet for å hindre fullstendig utlading av batteripakken.

- Batteribeskyttelsesfunksjonen aktiveres like før batteriet blir helt tomt, og varsellampen begynner å blinke.
- Dersom varsellampen for lavt batteri blinker, skal batteripakken lades opp umiddelbart.

[Batteripakke]

For riktig bruk av batteripakken

Li-ion-batteripakke (EY9L40/EY9L41)

- Oppbevar Li-ion-batteriet etter bruk uten å lade opp for å sikre lengre levetid.
- Ved oppladning av batteripakken, kontroller at polene på batteriladeren er fri for fremmedlegemer som støv eller vann ol. Rens polene før du lader opp batteripakken hvis du finner fremmedlegemer på polene. Levetiden til batteripakkens poler kan bli påvirket av fremmedlegemer som støv eller vann ol. mens de er i bruk.
- Når du ikke bruker batteripakken, skal den ikke oppbevares sammen med metallgjenstander som binders, mynter, nøkler, spiker, skruer eller andre små metallgjenstander, fordi de kan føre til kortslutning. Kortslutning av batteripolene kan forårsake gnister, forbrenning eller brann.
- Forsikre deg om arbeidsrommet er godt ventilert ved bruk av batteripakken.
- Når du fjerner batteripakken fra verktøyet, skal batteripakkedekselet umiddelbart lukkes for å hindre at batteripolene blir forurenset av støv eller skitt, noe som kan føre til kortslutning.



Levetiden til batteripakken

Oppladbare batterier har begrenset levetid. Hvis brukstiden er uvanlig kort selv rett etter opplading, bør batteriet byttes ut med et nytt.

Resirkulering av batteri

LEGG MERKE TIL:

For å resirkulere materialer og beskytte miljøet, sørg for å avhende batteriet på et offisielt godkjent sted, hvis et slikt finnes i ditt land.

[Batterilader] Lading

Forsiktighetsregler for Li-ion-Batteripakken

- Hvis batteripakkens temperatur faller under omtrent -10°C (14°F), stopper oppladningen automatisk for å forhindre at batteriet tar skade.

Felles forsiktighetsregler for Li-ion/Ni-MH/Ni-Cd batteripakker

- Omgivelsestemperaturen skal ligge mellom 0°C (32°F) og 40°C (104°F). Dersom du bruker batteripakken når batteritemperaturen er under 0°C (32°F), kan det være at verktøyet ikke fungerer skikkelig.
- Ved opplading av en kald batteripakke (under 0°C (32°F)) på et varmt sted, la batteripakken vente i over en time for å varme opp batteriet til omgivelsestemperatur.
- Kjøøl ned laderen når det lades mer enn to batteripakker etter hverandre.
- Ikke stikk fingrene inn i kontakthullet når du holder laderen eller under andre omstendigheter.

⚠ FORSIKTIG:

For å forhindre brann eller skade på laderen:

- Ikke bruk strøm fra en motorgenerator.
- Ikke dekk til ventilasjonshullene på laderen og batteripakken.
- Koble laderen fra kontakten når den ikke er i bruk.

Li-ion-batteripakke

MERK:

Batteripakken er ikke ladet helt opp når den leveres fra fabrikk. Forsikre deg om at du lader opp batteriet før det tas i bruk.

Batterilader (EY0L80)

1. Koble laderen til strømmettet.

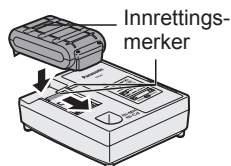
MERK:

Det kan oppstå gnister når støpslet settes i vekselstrømskontakten, men dette er ikke noe sikkerhetsmessig problem.

2. Sett batteripakken inn i laderen. Trykk helt ned.

1. Rett inn innrettingsmerkene og sett batteriet i dokken på laderen.

2. Skyv batteriet forover i pilens retning.



3. Under lading vil ladelampen være tent. Når ladingen er ferdig, vil en intern elektronisk bryter bli utløst automatisk for å forhindre overlading.

- Lading vil ikke skje hvis batteripakken er for varm (for eksempel, rett etter ekstremt tung belastning). Den oransje ventelampen vil fortsette å blinke til batteriet er avkjølt. Lading vil da starte automatisk.

- Ladelampen (grønn) vil blinke sakte når batteriet er ladet opp ca.80 %.
- Når ladingen er ferdig, vil ladelampen begynne å blinke raskt med grønn farge.
- Hvis temperaturen til batteripakken er 0 °C eller mindre, ta det lenger tid å lade batteripakken helt opp enn standard ladetid.
Selv når batteriet er helt oppladet, vil det ha omtrent 50 % av effekten til et fullt oppladet batteri ved normal driftstemperatur.
- Dersom strømlampen ikke lyser umiddelbart etter at laderen er koblet inn, eller ladelampen ikke blinker raskt i grønn farge etter standard ladetid, må du ta kontakt med et autorisert servicecenter.
- Hvis en ferdigoppladet batteripakke settes inn i batteriladeren igjen, vil ladelampen lyse. Etter noen minutter kan ladelampen begynne å blinke raskt for å vise at ladingen er ferdig.
- Under lading vil ladelampen være tent.
Når ladingen er ferdig, vil en intern elektronisk bryter bli utløst automatisk for å forhindre overlading.
 - Lading vil ikke skje hvis batteripakken er for varm (for eksempel, rett etter ekstremt tung belastning).
Den oransje ventelampen vil fortsette å blinke til batteriet er avkjølt. Lading vil da starte automatisk.
- Når ladingen er ferdig, vil ladelampen begynne å blinke raskt med grønn farge.
- Dersom ladelampen ikke tennes med en gang laderen kobles til, eller hvis den ikke slukker etter standard ladetid må du ta kontakt med et autorisert serviceverksted.
- Hvis en ferdigoppladet batteripakke settes inn i batteriladeren igjen, vil ladelampen lyse. Etter noen minutter kan ladelampen begynne å blinke raskt for å vise at ladingen er ferdig.

Ni-MH/Ni-Cd-batteripakke

MERK:

Når du lader batteripakken for første gang, eller etter lengre tids lagring, må den lades i omtrent 24 timer for å oppnå full kapasitet.

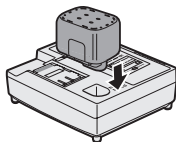
Batterilader (EY0L80)

- Koble laderen til strømmettet.

MERK:

Det kan oppstå gnister når støpslet settes i vekselstrømskontakten, men dette er ikke noe sikkerhetsmessig problem.

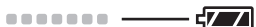
- Sett batteripakken inn i laderen. Trykk helt ned.



LAMPEINDIKATORER



Lyser grønt
Laderen er koblet til vekselstrømskontakten.
Klar til lading.



Blinker raskt i grønt
Ladingen er ferdig. (Ladet helt opp.)



Blinker grønt
Batteriet er oppladet ca. 80 %.
(Arbeidsklar oppladning. Kun Li-ion)



Lyser grønt
Lading pågår.



Lyser oransje
Batteripakken er avkjølt.
Oppladingen av batteripakke foregår langsomt for å redusere belastning på batteriet. (Kun Li-ion)



Blinker oransje
Batteripakken er varm. Ladingen vil starte når batteripakkens temperatur synker.

Dersom temperaturen på batteripakken er -10 °C eller lavere, vil ladelampen (oransje) også begynne å blinke. Oppladingen vil starte når temperaturen på batteripakken stiger (Kun Li-ion).



Ladestatuslampe
Venstre: grønn Høyre: oransje vil bli vist.



Blinker raskt både grønt og oransje
Lading ikke mulig. Tettet av støv eller feil på batteripakken.

Brukerinformasjon om innsamling og håndtering av gammelt utstyr og brukte batterier



Slike symboler på produkter, emballasje, og/eller på medfølgende dokumenter betyr at brukte elektriske/elektroniske produkter og batterier ikke må blandes med vanlig husholdningsavfall.

For riktig håndtering og gjenvinning av gamle produkter og brukte batterier, vennligst lever dem til anvendelige innsamlingssteder, i samsvar med nasjonal lovgivning og direktivene 2002/96/EC og 2006/66/EC.



Ved riktig håndtering av disse produktene og batteriene, hjelper du til med å spare verdifulle ressurser og forhindre potensielle negative effekter på menneskers helse og miljøet, som ellers kan oppstå ved uriktig avfallshåndtering.

For mer informasjon om innsamling og gjenvinning av gamle produkter og batterier, vennligst ta kontakt med kommunen, ditt renovasjonsselskap eller stedet der du kjøpte gjenstandene.



Ukorrekt håndtering av dette avfallet kan medføre straffansvar, i overensstemmelse med nasjonal lovgivning.

Cd

For forretningsdrivende brukere i EU

Dersom du ønsker å kaste elektrisk og elektronisk utstyr, vennligst ta kontakt med din forhandler eller leverandør for videre informasjon.

(Informasjon om håndtering i land utenfor EU)

Disse symbolene gjelder bare innenfor EU. Ønsker du å kaste slike gjenstander, vennligst kontakt dine lokale myndigheter eller forhandler og spør etter riktig fremgangsmåte for håndtering.

Merknader for batterisymbol (to nederste symbol-eksempler):

Dette symbolet kan bli brukt i kombinasjon med et kjemisk symbol. I dette tilfellet etterkommer det kravet satt av direktivet for det kjemikaliet det gjelder.

V. VEDLIKEHOLD

Bruk kun en tørr, myk klut for å tørke enheten. Bruk ikke en fuktig klut, tynner, bensin eller andre flytende løsemidler til rengjøring.

VI. TILBEHØR

⚠ FORSIKTIG:

- **Bruk av ekstrautstyr som ikke er spesifisert i denne veiledningen kan føre til brann, elektrisk støt eller personskader. Bruk kun anbefalt utstyr.**

Metallblad
•EY9SXMJ0E
For kutting av metall generelt

Treblad
•EY9SXWJ0E
For kutting av tre generelt

Gipsplateblad
•EY9SXXJ0E
For kutting av gipsplate generelt

Parallellanslag (Valgfritt tilbehør)
•EY9X011E

For komfortabel kløyving og gjentatt kutting med samme bredde.

Støvadapter for støvsuger (Valgfritt tilbehør)
•EY9X009E

VII. SPESIFIKASJONER

HOVEDENHET

Modell	EY4541	
Motor	14,4 V likestrøm	
Maks. tykkelse på montert blad	1,3 mm (1/16")	
Slaglengde	20 mm (25/32")	
Antall slag pr. minutt	0 - 2400 /min	
Maksimum skjærekapasiteter	Tre	65 mm (2-9/16")
	Bløtt stål	6 mm (1/4")
	Aluminium	10 mm (3/8")
Total lengde	270 mm (10-5/8")	
Vekt (med batteripakke: EY9L40)	2,2 kg (4,8 lbs)	
Vekt (med batteripakke: EY9L41)	2,25 kg (5 lbs)	
Støy, Vibrasjon	Se det vedlagte arket	

BATTERIPAKKE

Modell	EY9L40	EY9L41
Batterilagring	Li-ion-batteri	
Batterispenning	14,4 V likestrøm (3,6 V × 4 celler)	
Kapasitet	3 Ah	3,3 Ah

BATTERILADER

Modell	EY0L80
Merkedata	Se merkeplaten på bunnen av laderen.
Vekt	0,95 kg (2,1 lbs)

[Li-ion-batteripakke]

Ladetid	3 Ah	14,4 V	21,6 V	28,8 V
		EY9L40	EY9L60	EY9L80
		Brukbar: 35 min.	Brukbar: 45 min.	Brukbar: 55 min.
		Fullt ladet: 50 min.	Fullt ladet: 60 min.	Fullt ladet: 70 min.
Ladetid	3,3 Ah	14,4 V		
		EY9L41		
		Brukbar: 45 min.		
		Fullt ladet: 60 min.		

[Ni-Cd/Ni-MH-batteripakke]

Ladetid		7,2 V	9,6 V	12 V	15,6 V	18 V	24 V
		EY9065	EY9080	EY9001			
		EY9066	EY9086	EY9006			
		20 min.					
		EY9180	EY9101				
		EY9182	EY9103				
		25 min.					
		EY9168	EY9188	EY9106 EY9107 EY9108	EY9136		EY9116 EY9117
		30 min.					60 min.
		EY9200	EY9230			EY9210	
45 min.				90 min.			
EY9201	EY9231	EY9251					
55 min.			65 min.				

MERK: Modell- og tilbehør-utvalg kan variere fra land til land. Ikke alle varianter som er vist her selges i Norge.
Se den nyeste hovedkatalogen.

MERK: Forhandlerens navn og adresse står på det vedlagte garantibeviset.



I. KÄYTTÖTARKOITUS

Kiitämme Panasonic-pistosahan hankinnasta. Tätä pistosahaa voidaan käyttää ladattavien Panasonic-akkujen kanssa, jolloin saadaan erinomainen leikkutulos. Tämä pistosaha on tarkoitettu vain metallin puun ja kipsilevyn leikkuuseen. Lue ”Turvaohjeet” ja seuraava ennen käyttöä.

II. LISÄTURVASÄÄNTÖJÄ

- 1) Pidä kiinni työkalun eristetyistä pinnoista, jos on mahdollista, että työkalu saattaa osua pinnan alla oleviin johtoihin. Jos työkalu koskettaa jännitteistä johtoa, työkalun metalliosat varautuvat ja aiheuttavat käyttäjälle sähköiskun.
- 2) Kiinnitä työstökappale kiinnittimillä tai muulla sopivalla tavalla vakaalle alustalle. Jos työstökappaleesta pidetään kiinni käsin tai sitä pidetään vartaloa vasten, se on epävakaa ja seurauksena saattaa olla hallinnan menetys.
- 3) Pidä kädet poissa leikkausalueelta ja terästä. Pidä kiinni eristetyistä kiinnittöpinnoista. Jos työkalusta pidetään kiinni molemmin käsin, terä ei pääse leikkaamaan niitä.
- 4) Älä koskaan pidä leikattavaa kappaletta käsissäsi tai polvellasi. Työstökappale on tuettava hyvin, jotta se ei pääse vahingossakaan osumaan vartalon mihinkään osaan eikä tasapainon menetystä tapahdu.
- 5) Huomioi, että tämä työkalu on jatkuvasti toimintakunnossa, koska se ei toimi verkkovirralla.
- 6) Käytä aina suojalaseja, joissa on sivusuojaimet. Tavalliset silmä- tai aurinkolasit EIVÄT ole suojalasit.
- 7) Kun tätä työkalua käytetään puun työstöön suljetussa huoneessa (esim. sisätiloissa), käytä pölysuojaa kasvoillasi.

- 8) Vältä naulojen leikkaamista. Tarkista työstökappale ennen työskentelyn aloittamista ja ota mahdolliset naulat pois.
- 9) Älä leikkaa liian isoja työstökappaleita.
- 10) Ennen kuin aloitat työskentelyn, katso, että työstökappaleen ympärillä on riittävästi tilaa, jotta et vahingossa osu terällä lattiaan, vinskiin tms.
- 11) Pidä työkalusta kiinni lujasti.
- 12) Varmista, että terä ei kosketa työstökappaletta ennen kuin käynnistät koneen.
- 13) Pidä kädet poissa liikkuvien osien läheisyydestä.
- 14) Älä kosketa terää tai työstökappaletta heti työn jälkeen; ne saattavat olla erittäin kuumat ja saatat polttaa ihosi.
- 15) Älä koskaan heiluta työkalua.
- 16) Älä koskaan käytä vääntyneitä tai haljenneita teriä.
- 17) Älä käytä sellaisia teriä, jotka eivät täytä näissä ohjeissa mainittuja teknisiä tietoja.
- 18) Ota akku pois työkalusta ennen terän vaihtoa, säätöjen tekoa tai muiden huoltotoimien suorittamista.
- 19) Käytä korvasuojaimia, kun käytät työkalua pitempiä aikoja.

Tunnus	Merkitys
V	Volttia
---	Suora virta
n ₀	Nopeus ilman kuormaa
... min ⁻¹	Kierrokset tai iskut per minuutti
Ah	Akun sähkökapasiteetti
	Loukkaantumisvaaran estämiseksi käyttäjän on luettava käyttöohje ja ymmärrettävä se.
	Vain sisäkäyttöön.

⚠ VAROITUS:

- Älä käytä muita kuin Panasonicin tähän ladattavaan tuotteeseen suunniteltuja akkusarjoja.
- Älä hävitä akkua polttamalla tai altista sitä suurelle kuumuudelle.
- Älä lyö nauvoja akkuun, altista sitä iskuille, pura sitä tai yritä muuntaa sitä.
- Älä anna metalliesineiden koskettaa akun napoja.
- Älä kuljeta tai säilytä akkua samassa tilassa naulojen ja vastaavien metalliesineiden kanssa.
- Älä lataa akkua kuumassa tilassa esim. tulen äärellä tai suorassa auringonvalossa. Muussa tapauksessa akku voi ylikuumentua, syttyä tuleen tai räjähtää.
- Käytä vain laitteen omaa laturia akun lataamiseen. Muussa tapauksessa akku voi vuotaa ylikuumentua tai räjähtää.
- Kun akku on irrotettu työkalusta tai laturista, pane aina akun kansi paikalleen. Muuten akun liittimet saattavat mennä oikosulkuun, jolloin seurauksena on tulipalovaara.

III. KOKOAMINEN

⚠ VAROITUS:

Loukkaantumisvaaran välttämiseksi ota akku aina pois ennen terän vaihtamista.

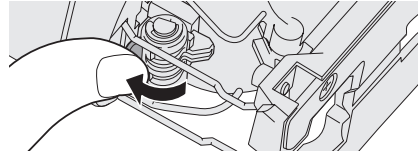
Ennen käyttöä suoritettavat tarkastustoimet

- Onko kiinnitetty leikattavalle kohteelle sopiva sahanterä?
- Onko asennettu oikeanpaksuinen terä ja sille oikeanmuotoinen varsi?
- Tarkasta onko terä kiinnitetty kunnolla.
- Tarkasta onko terässä halkeamia tai onko se rikki.
- Tarkasta, että leikattavassa kohteessa ei ole vieraita aineita.

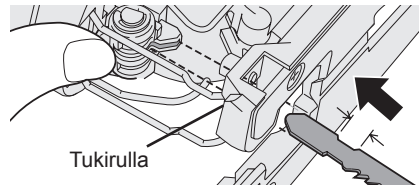
Terän asennus ja irrotus

Asennus

1. Pyyhi terästä ja terän kiinnittimestä pois mahdollinen leikkuupöly.
2. Nosta terän kiinnitys/irrotusvipu ylös.



3. Aseta terä terän kiinnityskiinnikkeeseen ja aseta terän takaosa rullaohjainta pitkin niin, että sahanterän takaosa liukuu tukirullaa pitkin.



4. Vapauta terän kiinnitys/irrotusvipu.
 - Kun terä on kiinnitetty paikalleen, vipu palautuu alkuperäiseen asentoon.
 - Tarkasta, että terän takaosa on tukirullan vaossa.

⚠ VAROITUS:

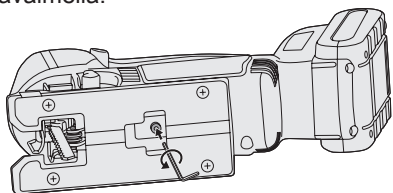
Jos sahan terää ei aseteta tarpeeksi syvälle, se saattaa irrota yllättäen käytön aikana. Tämä on erittäin vaarallista.

Irrotus

1. Nosta terän kiinnitys/irrotusvipu ylös.
2. Vedä terä pois.

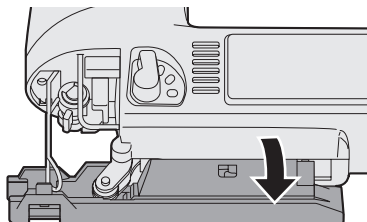
Pöydän säätö

1. Löysennä pöydän kiinnitysruuvi kuusioavaimella.



2. Siirrä pöytää tarvittaessa ja lukitse se paikalleen. (Katso oikealla olevaa kuvaa.)

- Pöytää voidaan säätää sivuttain välillä 0° ja 45° ja eteen/taakseasento voidaan myös säätää. Jos pöytä kallistetaan sivuttain, irrota ensin pölykansi.
- Määritä kulma kallistusasteikon avulla.
- Reunaohjaimen kiinnitysruuvien tulee sijaita vastakkaisella puolella työkalun ollessa viistossa.



3. Kiristä pöydän kiinnitysruuvi kuusioavaimella.

Pöydän asento ja käyttötarkoitus

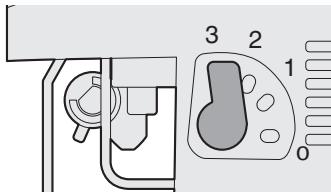
Perustan säätöaukon asento	Käyttötarkoitus
	Normaali suorakulmainen sahaus
	Sahaus kulmassa välillä 0° ja 45°
	Sahaus 45° kulmassa
	Sahaus lähellä nurkkaa

HUOMAUTUS:

Tämän on vain karkea ohje. Todellinen sahauskulma vaihtelee eri tekijöiden mukaisesti ja riippuu esimerkiksi siitä miten työkalua pidellään pintaa vasten.

Pendelin säätö

- Säädä heiluritoiminto sopivaksi sahattavalle kohteelle.



Vivun asento	Terän liike	Pääkäyttötavat
0	 Vain pystyssä	<ul style="list-style-type: none"> Kovien metallien kuten teräksen sahaaminen. Rakennusmateriaalien ja vanerilevyjen tasainen sahaaminen Sahaaminen pieniä kaarteita pitkin
1	 Matala heiluritoiminto	<ul style="list-style-type: none"> Pehmeämpien metallien kuten alumiinin ja muiden rautapitoisia aineksia sisältämättömien metallien sahaaminen. Kovan puun, vanerilevyjen ja muovin sahaaminen
2	 Keskitasoinen heiluritoiminto	<ul style="list-style-type: none"> Verrattain pehmeiden materiaalien sahaaminen Puun ja yhdistelmälevyjen sahaaminen Alumiinin ja pehmeän teräksen nopea sahaaminen
3	 Korkeatasoinen heiluritoiminto	<ul style="list-style-type: none"> Pehmeiden materiaalien sahaaminen Materiaalien kuten puun, yhdistelmälevyjen ja muovin nopea sahaaminen

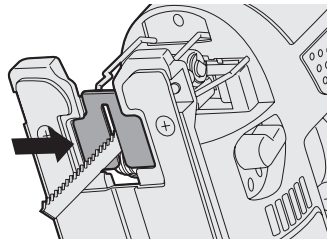
- Jos halutaan saada viimeistellympi lopputulos, säädä heiluritoiminto matalammalle tasolle.

Repimissuoja

Käytä repimissuojaa puun ja erilaisten levyjen sahaamisen aikana ja saat siistimmän leikkuujäljen.

Asennus

- Aseta pöytä 90 asteen asentoon.
- Aseta repimissuoja pöydän alle ja asenna se painamalla sitä kevyesti.
 - Asenna niin, että repimissuojan keskellä olevan aukon viisto reuna osoittaa pistosahaan päin.

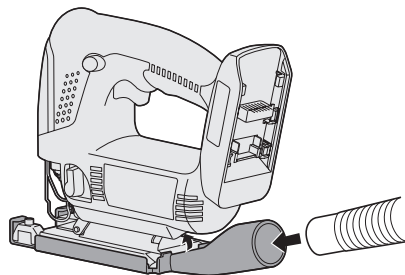


Imuriliitäntä pölynimurien var- ten (EY9H009E) (Saatavana erillisenä lisävarusteena, ei sisälly toimitukseen)

Sahauspöly voidaan kerätä sahausajan aikana pölynimurilla.

Asennus

- Kiinnitä imuriliitäntäsovittimen koukku pöydän etuosaan.
- Asenna se kiinnittämällä takaa.
- Kiinnitä pölynimurin letku.



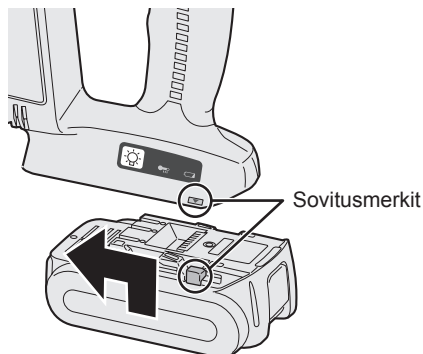
- Pölysovittimen käyttöä suositellaan, jotta saadaan vähennettyä leikattavan kohteen pinnan vahingoittumisvaara.

Akun kiinnittäminen tai irrottaminen

1. Akun liittäminen:

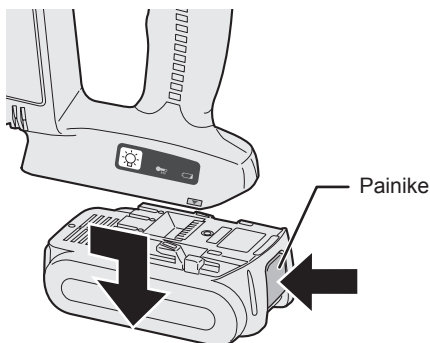
Aseta sovitusmerkit kohdakkain ja kiinnitä akku.

- Siirrä akku paikalleen niin, että se lukkiutuu.



2. Akun irrottaminen:

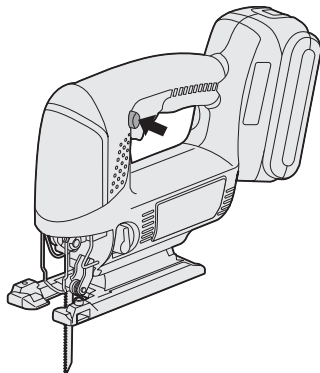
Vapauta akku painamalla edessä olevaa painiketta.



IV. TOIMINTA

1. Paina käyttökytkimen lukitusvipu alas ja paina käyttökytkintä.

- Nopeus suurenee kytkimä lisää painettaessa.



2. Kun sahaus on tehty, vapauta käyttökytkin.

3. Varmista, että terän lämpötila on laskeutunut riittävästi ja irrota sitten terä.

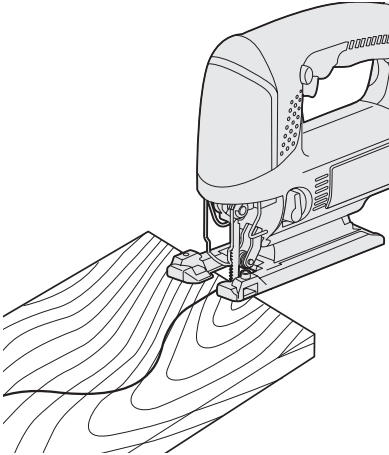
Sahaaminen

HUOMAUTUS:

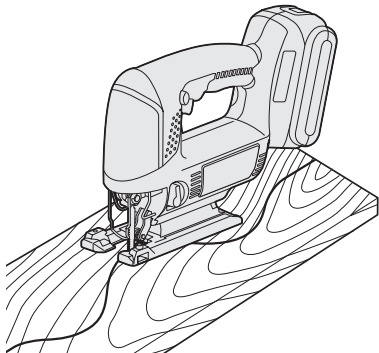
- Tarkasta, että työstökappaleen alla ei ole esteitä.
- Tarkasta, että sahattavassa materiaalissa ei ole mitään vieraita esineitä kuten esimerkiksi nauloja.
Jos terä koskettaa jotakin esinettä sahaamisen aikana, syntyy voimakas vastavoima ja seurauksena saattaa aiheutua vakava vamma.
- Älä pane käsiäsi tai muita esineitä suuntaan, jossa sahataan.
Jos tätä ohjetta ei noudateta, seurauksena saattaa aiheutua vammoja.
- Älä kosketa pistosahan terää heti sahaamisen jälkeen.
Jos tätä ohjetta ei noudateta, seurauksena saattaa syntyä palovammoja.

Sahaaminen merkittyjä viivoja pitkin

1. Aseta sahattava esine perustalle ja sovi-
ta terä merkityn viivan kohdalle.
 - Älä pane terää sahattavalle pinnalle
ennen käyttökytkimen painamista.

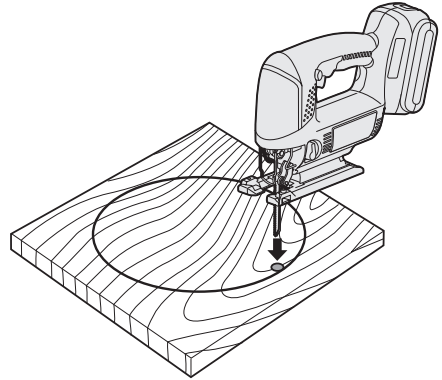


2. Paina käyttökytkintä, odota kunnes no-
peus vakiintuu ja aseta sitten pöytä sa-
hattavalle kohteelle ja sahaa merkittyjä
viivoja pitkin.
 - Kun sahataan monimutkaisia muoto-
ja kuten pieniä kaaria pitkin, pienennä
sahausnopeutta ja kääntönopeutta.



Läpisahaus

1. Tee porareikä läpisahattavaan kohtaan,
jotta terä pääsee läpi.
2. Aseta terä aukkoon koskematta työstö-
kappaletta ja kytke sitten virta käyttökyt-
kintä painamalla.



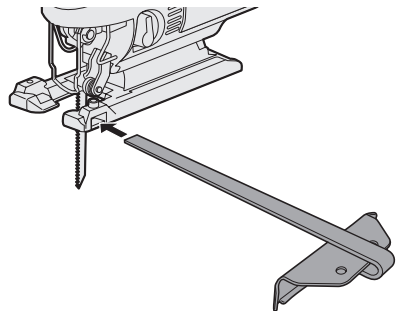
3. Sahaa merkittyä viivaa pitkin.

Reunaohjaimen (EY9X011E) käyttö (Saatavana erillisenä lisävarusteena, ei sisälly toimi- tukseen)

Reunaohjainta voidaan käyttää rinnak-
kaisviivojen leikkaamiseen ja ympyrän ja
kaaren leikkaamiseen.

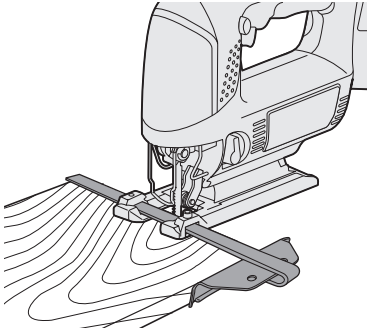
Reunaohjaimen asennus

1. Löysennä reunaohjaimen kiinnitysruuvi.
2. Kuljeta reunaohjain asennusaukon läpi.
3. Säädä sahausetäisyys ja kiristä sitten
kiinnitysruuvi.



Sahaaminen samalla leveydellä

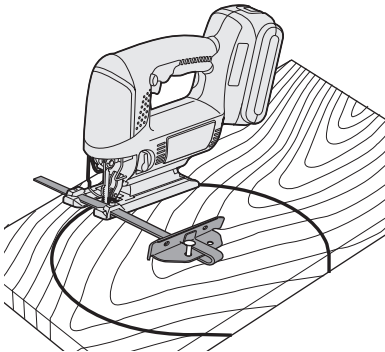
1. Aseta pöytä työstökappaleelle niin, että reunaohjaimen reuna ja työstökappale ovat yhdessä.



2. Kytke virta antamatta terän koskettaa työstökappaletta.
3. Kohdista repäisykaavain lujasti työstökappaleeseen, jota leikataan rinnakkain

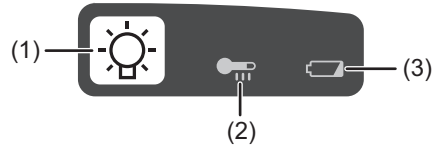
Ympyröiden sahaaminen

1. Jos sahataan irti jokin osa, tee porareikä työstökappaleeseen, jotta pistosaha pääsee läpi.
2. Sovita reunaohjaimen tapin aukko ympyrän keskelle ja pidä kohde sitten paikallaan naulan tai ruuvien avulla.

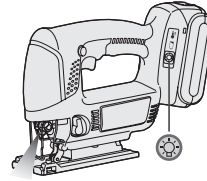


3. Kytke virta koskettamatta työstökappaletta.
4. Sahaa merkittyä viivaa pitkin.

Säätöpaneeli



(1) LED-valo



Vedä ennen LED-valon käyttöä virtakytkintä kerran.

Paina  LED-valon painiketta.

Valo palaa erittäin pienellä jännitteellä eikä heikennä pistosahan toimintaa käytön aikana eikä vaikuta akun kapasiteettiin.

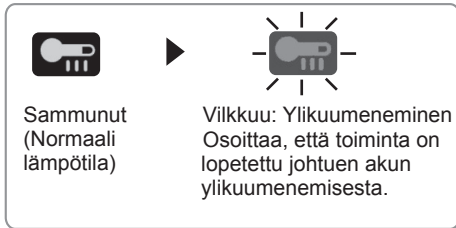
⚠ TÄRKEÄ HUOMAUTUS:

- Yhdysrakenteinen LED-valo on suunniteltu pienen työskentelyalueen tilapäiseen valaisuun.
- Älä käytä sitä korvaamaan tavallista taskulamppua, sillä sen kirkkaus ei ole riittävä.
- LED-valo sammuu, jos työkalua ei ole käytetty 5 minuuttiin.

Tärkeä huomautus : ÄLÄ KATSO SÄTEESEEN.

Muiden kuin tässä kuvattujen säätimien tai säätöjen käyttö tai toimenpiteiden suorittaminen saattaa altistaa vaaralliselle säteilylle.

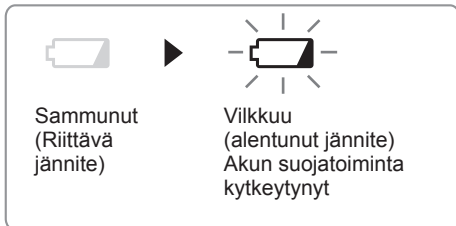
(2) Ylikuumentumisen varoituslamppu



Ylikuumentumisen suojaustoiminta pysäyttää toiminnan akun suojaamiseksi, jos akku on kuumentunut liikaa. Säätopaneelin ylikuumentumisen varoitusvalo vilkkuu, kun tämä toiminto on käynnistynyt.

- Jos ylikuumentumisen suojaustoiminto käynnistyy, anna akun jäähtyä tarpeeksi (ainakin 30 minuuttia). Akku on valmis käyttöön, kun ylikuumentumisen varoitusvalo on sammunut.
- Vältä pistosahan käyttöä tavalla, joka kytkee ylikuumentumisen suojaustoiminnon toistuvasti.

(3) Alhaisen akkujännitteen varoituslamppu



Litiumioniakun liiallinen (täydellinen) purkautuminen lyhentää akun käyttöikää huomattavasti. Työkalussa on akun suojaustoiminto, joka estää akun liiallisen purkautumisen.

- Akun suojaustoiminto kytkeytyy ennen kuin akku menettää varauksensa ja alhaisen akkujännitteen varoitusvalo vilkkuu.
- Jos huomaat, että alhaisen akkujännitteen varoitusvalo vilkkuu, vaihda akku välittömästi.

[Akku]

Akun oikea käyttö

Li-ioniakku (EY9L40/EY9L41)

- Jotta li-ioniakku kestää mahdollisimman pitkään, pane se säilöön käytön jälkeen lataamatta sitä.
- Kun akku ladataan, varmista, että akkulaturin liittimissä ei ole vieraita aineita kuten pölyä tai vettä. Jos liittimistä löytyy vieraita aineita, puhdista liittimet ennen akun lataamista. Akkuliittimissä käytön aikana olevat vieraat aineet kuten pöly ja vesi saattavat heikentää akun käyttöikää.
- Kun akkua ei käytetä, pidä se poissa muiden metalliesineiden lähetyviltä kuten: paperikiinnittimien, kolikoiden, avainten, naulojen, ruuvien tai muiden pienten metalliesineiden, jotka voivat aiheuttaa kontaktin liittimestä toiseen. Akkuliittimien saattaminen oikosulkuun saattaa aiheuttaa kipinöitä, palovammoja tai tulipalon.
- Kun käytät akkua, varmista, että työskentelypaikassa on hyvä ilmanvaihto.
- Kun akku otetaan pois työkalusta, pane akun liitinsuoja heti kiinni, jotta akkuliittimiin ei pääse pölyä tai likaa eikä synny oikosulkuja.



Akun kestoikä

Ladattavien akkujen käyttöaika on rajoitettu. Jos käyttöaika on erittäin lyhyt kunnollisen latauksen jälkeen, vaihda akku uuteen.

Akun kierrätys

HUOMIO:

Ympäristön suojelemiseksi ja materiaalien kierrättämiseksi akku on vietävä hävitettäväksi erityiseen keräyspisteeseen, jos sellainen on olemassa.

[Akkulaturi]

Lataus

Yleisiä huomautuksia koskien Li-ioni akkuja

- Jos akun lämpötila laskee alle -10°C (14°F), lataus loppuu automaattisesti, jotta saadaan estettyä akun heikkeneminen.

Yleisiä huomautuksia koskien Li-ioni/Ni-MH/Ni-Cd akkuja

- Suositeltava käyttöympäristö on välillä 0°C (32°F) ja 40°C (104°F). Jos akkua käytetään huomattavasti alle 0°C (32°F) lämpötilassa, laitteessa saattaa ilmetä toimintahäiriöitä.
- Kun kylmää akkua (alle 0°C (32°F)) ladataan lämpimässä paikassa, on hyvä antaa akun lämmetä ennen latausta.
- Anna laturin jäähtyä ladatessasi kahta tai useampaa akkua peräkkäin.
- Älä missään tapauksessa työnnä sormiasi latauspesään pitäessäsi laturi tai muulloinkaan.

⚠ TÄRKEÄ HUOMAUTUS:

Tulipalovaaran ja akkulaturin vahingoittumisen estämiseksi:

- Älä käytä moottorin generaattoria virtalähteenä.
- Älä peitä laturin tai akkuyksikön tuuletusaukkoja.
- Irrota laturi verkosta, kun sitä ei käytetä.

Li-ioniakku

HUOMAUTUS:

Akkua ei ole ladattu kokonaan tehtaalla. Akku on ladattava ennen käyttöä.

Latauslaite (EY0L80)

1. Kytke laturin pistoke vaihtovirtaverkon pistorasiaan.

HUOMAUTUS:

Pieniä kipinöitä saattaa syntyä, kun pistoke kytketään verkkoon, mutta turvallisuuden kannalta tässä ei ole mitään vaarallista.

2. Paina akku riittävän syvälle laturiin.

1. Aseta sovitukset vastakkain ja aseta akku laturin liittimeen.
2. Siirrä eteenpäin nuolen osoittamaan suuntaan.



3. Latauksen merkkivalo palaa latauksen aikana.

Kun akku on ladattu, latauksen merkkivalo alkaa vilkkua nopeasti ja laitteen sisäänrakennettu kytkin katkaisee latauksen automaattisesti estäen yllilatautumisen.

- Latausta ei tapahdu, jos akku on liian lämmin (esim. pitkään kestäneen käytön jälkeen). Oranssi valmiustilan lamppu vilkkuu, kunnes akku on jäähtynyt. Lataus alkaa sitten automaattisesti.

4. Latauslamppu (vihreä) vilkkuu hitaasti, kun akku on latautunut noin 80%.
 5. Kun lataus on suoritettu, latauslamppu alkaa vilkkua nopeasti vihreänä.
 6. Jos akun lämpötila on 0°C astetta tai sitä vähemmän, täyteen lataus kestää tavallista kauemmin.
Vaikka akku on ladattu täyteen, sen teho on noin 50% tavallisessa lämpötilassa ladattuun täyteen akkuun verrattuna.
 7. Jos virran merkkivalo ei syty heti, kun laturi liitetään tai jos latauslamppu ei vilku nopeasti vihreänä tavallisen latausajan jälkeen, ota yhteys valtuutettuun huoltokeskukseen.
 8. Jos kokonaan ladattu akku asetetaan uudelleen laturiin, latauslamppu saattaa syttyä palamaan. Muutaman minuutin kuluttua latauslamppu vilkkuu jälleen nopeasti, mikä tarkoittaa, että lataus on valmis.
3. Latauksen merkkivalo palaa latauksen aikana.
Kun akku on ladattu, latauksen merkkivalo alkaa vilkkua nopeasti ja laitteen sisäänrakennettu kytkin katkaisee latauksen automaattisesti estäen yli latautumisen.
 - Latausta ei tapahdu, jos akku on liian lämmin (esim. pitkään kestäneen käytön jälkeen).
Oranssi valmiustilan lamppu vilkkuu, kunnes akku on jäähtynyt. Lataus alkaa sitten automaattisesti.
 4. Kun lataus on suoritettu, latauslamppu alkaa vilkkua nopeasti vihreänä.
 5. Jos latauslamppu ei syty heti, kun laturi liitetään tai jos latauslamppu ei vilku nopeasti vihreänä tavallisen latausajan jälkeen, ota yhteys valtuutettuun huoltokeskukseen.
 6. Jos kokonaan ladattu akku asetetaan uudelleen laturiin, latauslamppu saattaa syttyä palamaan. Muutaman minuutin kuluttua latauslamppu vilkkuu jälleen nopeasti, mikä tarkoittaa, että lataus on valmis.

Ni-MH/Ni-Cd akku

HUOMAUTUS:

Kun lataat akkupakettia ensimmäistä kertaa tai pitkällisen säilytyksen jälkeen, lataa sitä noin 24 tunnin ajan, jotta akkujen koko kapasiteetti saadaan käyttöön.

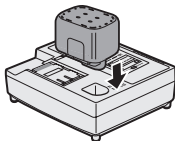
Latauslaite (EY0L80)

1. Kytke laturin pistoke vaihtovirtaverkon pistorasiaan.

HUOMAUTUS:

Pieniä kipinöitä saattaa syntyä, kun pistoke kytketään verkkoon, mutta turvallisuuden kannalta tässä ei ole mitään vaarallista.

2. Paina akku riittävän syvälle laturiin.



LAMPUN MERKINNÄT



Palaa vihreänä
Laturi on kytketty verkkoon.
Valmis lataukseen.



Vilkkuu nopeasti vihreänä
Lataus on valmis. (Täysi lataus)



Vilkkuu vihreänä
Akku on latautunut noin 80%.
(Käyttö mahdollista. Vain Li-ion.)



Palaa vihreänä
Lataa parhaillaan



Palaa oranssina
Akku on viileä.
Akku latautuu hitaasti akun kuormituksen vähentämiseksi.
Vain Li-ion.)



Vilkkuu oranssina
Akkupaketti on lämmin. Lataus alkaa, kun akkupaketin lämpötila laskee.

Jos akun lämpötila on -10°C astetta tai vähemmän, lataustilan lamppu (oranssi) alkaa myös vilkkua. Lataus alkaa, kun akun tilan lämpötila nousee. (Vain Li-ion.)



Lataustilan lamppu
Vasen: vihreä Oikea: oranssi näkyy.



Sekä oranssi että vihreä vilkkuvat nopeasti
Lataus ei ole mahdollista. Akku on tukkeutunut pölystä tai epäkunnossa.

Tietoja vanhojen laitteiden ja käytettyjen paristojen keräyksestä ja hävittämisestä



Nämä merkinnät tuotteissa, pakkauksissa ja/tai niihin liitetyissä dokumenteissa tarkoittavat, että käytettyjä sähkö- ja elektroniikkalaitteita sekä paristoja ei tule sekoittaa tavalliseen kotitalousjätteeseen.



Vanhojen tuotteiden ja käytettyjen paristojen asianmukainen käsittely, talteen ottaminen ja kierrätys edellyttävät niiden viemistä tarjolla oleviin keräyspisteisiin kansallisten määräysten sekä direktiivien 2002/96/EC ja 2006/66/EC mukaisesti.



Kun hävität tuotteet ja paristot asianmukaisesti, autat säilyttämään arvokkaita luonnonvaroja sekä ehkäisemään ihmisen terveydelle ja ympäristölle haitallisia vaikutuksia, joita vääränlainen jätteenkäsittely voi aiheuttaa.



Ota yhteys asuinkuntasi viranomaisiin, jätteenkäsittelystä vastaavaan tahoon tai tuotteiden ostopaikkaan saadaksesi lisätietoja vanhojen tuotteiden ja paristojen keräyksestä ja kierrätyksestä.

Tuotteiden epäasianmukaisesta hävittämisestä saattaa seurata kansallisessa lainsäädännössä määrätty rangaistus.

Cd

Yrityksille Euroopan unionissa

Lisätietoja sähkö- ja elektroniikkalaitteiden hävittämisestä saat jälleenmyyjältä tai tavarantoimittajalta.

[Tietoja hävittämisestä Euroopan unionin ulkopuolella]

Nämä merkinnät ovat voimassa ainoastaan Euroopan unionin alueella. Ota yhteys paikallisiin viranomaisiin tai jälleenmyyjään saadaksesi tietoja oikeasta jätteenkäsittelymenetelmästä.

Paristomerkintää koskeva huomautus (alla kaksi esimerkkiä merkinnöistä):

Tämä merkki voi olla käytössä yhdessä kemiallisen merkinnän kanssa. Siinä tapauksessa merkki noudattaa kyseistä kemikaalia koskevan direktiivin vaatimuksia.

V. HUOLTO

Käytä laitteen pyyhkimiseen vain kuivaa, pehmeää kangasta. Älä käytä puhdistukseen kosteaa kangasta, tinneriä, bentseeniä tai muita helposti syttyviä aineita.

VI. LISÄLAITTEET

⚠ TÄRKEÄ HUOMAUTUS:

- Tässä ohjekirjassa mainitsemattomien lisävarusteiden käyttäminen voi johtaa tulipaloon, sähköiskun vaaraan tai henkilövahinkoihin. Käytä aina vain suositettuja lisäosia.

Metalliterä
•EY9SXMJ0E
Metallin leikkaamiseen yleensä

Puuterä
•EY9SXWJ0E
Puun leikkaamiseen yleensä

Kuivaseinäterä
•EY9SXXJ0E
Kipsilevyn leikkaamiseen yleensä

Repäisykaavaimen (Valinnaisvaruste)
•EY9X011E
Sahaus pitkin kuituja ja samanlevyisten kappaleiden toistuva sahaus käy kätevästi.

Pölysovitin pölynimuria varten (Valinnaisvaruste)
•EY9X009E

VII. TEKNISET TIEDOT

PÄÄLAITE

Malli	EY4541	
Moottori	Tasavirta 14,4 V	
Asennusterän suurin paksuus	1,3 mm (1/16")	
Iskun pituus	20 mm (25/32")	
Iskua per minuutti	0 - 2400 /min	
Suurin leikkaus-kapasiteetti	Puu	65 mm (2-9/16")
	Valantateräs	6 mm (1/4")
	Alumiini	10 mm (3/8")
Kokonaispituus	270 mm (10-5/8")	
Paino (akku mukaan luettuna: EY9L40)	2,2 kg (4,8 lbs)	
Paino (akku mukaan luettuna: EY9L41)	2,25 kg (5 lbs)	
Ääniä, Tärinää	Katso liite	

AKKUPAKETTI

Malli	EY9L40	EY9L41
Akun säilytys	Li-ioniakku	
Akun jännite	Tasavirta 14,4 V (3,6 V × 4 kennoa)	
Kapasiteetti	3 Ah	3,3 Ah

AKKULATURI

Malli	EY0L80
Teho	Katso laturin pohjassa olevaa arvokilpeä.
Paino	0,95 kg (2,1 lbs)

[Li-ioniakku]

Latausaika	3 Ah	14,4 V	21,6 V	28,8 V
		EY9L40	EY9L60	EY9L80
		Käytettävissä: 35 min.	Käytettävissä: 45 min.	Käytettävissä: 55 min.
		Täysi: 50 min.	Täysi: 60 min.	Täysi: 70 min.
Latausaika	3,3 Ah	14,4 V		
		EY9L41		
		Käytettävissä: 45 min.		
		Täysi: 60 min.		

[Ni-MH/Ni-Cd akku]

Latausaika	1,2 Ah	7,2 V	9,6 V	12 V	15,6 V	18 V	24 V	
		EY9065	EY9080	EY9001				
		EY9066	EY9086	EY9006				
		20 min.						
		1,7 Ah		EY9180	EY9101			
				EY9182	EY9103			
		25 min.						
		2 Ah	EY9168	EY9188	EY9106 EY9107 EY9108	EY9136		EY9116 EY9117
30 min.					60 min.			
3 Ah			EY9200	EY9230		EY9210		
			45 min.			90 min.		
3,5 Ah			EY9201	EY9231	EY9251			
				55 min.		65 min.		

HUOMAUTUS: Taulukko saattaa sisältää malleja, jotka eivät ole myynnissä Suomessa.
Katso tietoja uusimmasta yleisesitteestä.

HUOMAUTUS: Katso jälleenmyyjän yhteystiedot oheisesta takuukortista.



I. НАЗНАЧЕНИЕ

Спасибо вам за то, что вы приобрели лобзик Panasonic. Данный лобзик используется с аккумуляторами Panasonic и имеет прекрасные режущие характеристики. Перечень материалов для распиливания лобзиком ограничен металлом, деревом и гипсокартоном.

Перед началом эксплуатации прочтите "Правила техники безопасности" и информацию, помещенную ниже.

II. ДОПОЛНИТЕЛЬНЫЕ ПРАВИЛА ТЕХНИКИ БЕЗОПАСНОСТИ

- 1) Держите электроинструмент за изолированные захваты при выполнении работ, во время которых существует опасность, что режущий инструмент может задеть скрытую электропроводку. Касание провода "под напряжением" приводит к тому, что металлические детали электроинструмента оказываются "под напряжением", что может привести к поражению оператора электрическим током.
- 2) Используйте зажимы или другие удобные способы для крепления обрабатываемой детали к неподвижной платформе. Удерживая деталь рукой или прижимая ее частью тела, вы легко можете потерять контроль над нею.
- 3) Держите руки как можно дальше от зоны пиления и пилки. Держитесь только за ручки с изолированной поверхностью. Если обе руки одновременно удерживают инструмент, они не могут попасть под полотно пилки.
- 4) Никогда не удерживайте обрабатываемую деталь в руках или на коленях. Очень важно закрепить обрабатываемое изделие надлежащим образом для уменьшения опасности получения травмы или потери управления.
- 5) Помните о том, что данный инструмент всегда находится в рабочем состоянии, поскольку он не требует подключения к электрической сети.
- 6) Всегда используйте защитные очки или очки с боковыми щитками. Обычные очки или солнцезащитные очки НЕ являются защитными очками.
- 7) Если данный электроинструмент используется для работы с деревом в закрытых помещениях (т.е. внутри дома), надевайте пылезастыжную маску.
- 8) Избегайте пиления гвоздей. Проверьте наличие гвоздей на обрабатываемом изделии и удалите их до начала работы.
- 9) Не распиливайте очень крупные детали.
- 10) Перед началом работы убедитесь в наличии достаточного зазора под обрабатываемым изделием для того, чтобы пилка не смогла коснуться пола, верстака и т.д.
- 11) Надежно удерживайте электроинструмент.
- 12) Перед включением инструмента убедитесь, что пилка не касается обрабатываемого изделия.
- 13) Держите руки как можно дальше от движущихся деталей.
- 14) Не прикасайтесь к пилке или обрабатываемому изделию сразу после прекращения работы; они могут быть очень горячими, и вы рискуете получить ожог.
- 15) Во время пиления не раскачивайте инструмент.
- 16) Не используйте пилки со следами деформации или трещинами.
- 17) Не используйте пилки, которые не соответствуют требованиям, указанным в данной инструкции.
- 18) Отсоедините от инструмента аккумуляторный блок перед тем, как менять пилку, производить регулировки или другую работу по обслуживанию.
- 19) При длительной работе инструмента надевайте наушники.

Символ	Значение
V	Вольт
— — —	Постоянный ток
no	Скорость без нагрузки
... мин ⁻¹	Число оборотов или возвратно-поступательных движений в минуту
Амперчас	Электрическая емкость аккумуляторного блока
	Для снижения риска получения травм, обязательно прочтите и усвойте руководство по эксплуатации.
	Только для использования внутри

⚠ ОСТОРОЖНО:

- Не используйте другие аккумуляторные блоки, кроме блоков фирмы Panasonic, которые разработаны специально для данного инструмента.
- Не подносите пламя к аккумуляторному блоку и не подвергайте его воздействию высоких температур.
- Берегите аккумуляторный блок от попадания внутрь гвоздей или аналогичных изделий; не подвергайте его ударам, не разбирайте и не пытайтесь внести изменения в конструкцию.
- Берегите контакты аккумуляторного блока от касания металлическими предметами.
- Не переносите и не храните аккумуляторный блок вместе с гвоздями или другими металлическими предметами.
- Не заряжайте аккумуляторный блок в помещении с высокой температурой, возле источников тепла или под прямыми лучами солнца. В противном случае блок может перегреться, загореться или взорваться.
- Всегда используйте для зарядки только предназначенное для этого зарядное устройство. В противном случае аккумуляторный блок может потечь, загореться или взорваться.
- После снятия батарейного блока с инструмента или зарядного устройства, всегда устанавливайте на место крышку блока. В противном случае контакты батареи могут быть замкнуты, что может привести к пожару.

III. СБОРКА

⚠ ОСТОРОЖНО:

Для снижения риска получения травм перед заменой пилки обязательно отсоедините аккумуляторный блок.

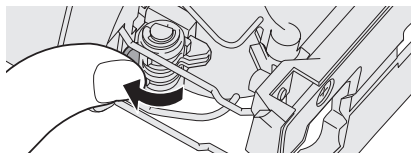
Осмотр перед началом работы

- Проверьте правильность выбора пилки для обрабатываемой детали.
- Был ли установлен шток подходящей формы с соответствующей толщиной лезвия?
- Проверьте надежность фиксации пилки.
- Проверьте пилку на отсутствие трещин и разрывов.
- Проверьте отсутствие посторонних деталей на обрабатываемой детали.

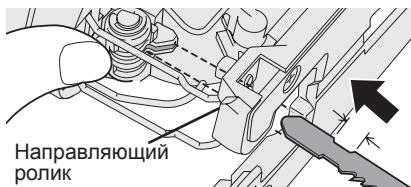
Установка и снятие пилки

Установка

1. Протрите от пыли полотно и зажим пилки.
2. Поднимите рычаг установки/снятия пилки.



3. Вставьте лезвие в кронштейн и установите обратную сторону лезвия вдоль роликовой направляющей так, чтобы лезвие ножовки скользило по роликовой направляющей.



4. Поднимите рычаг установки/снятия пилки.
 - После фиксации пилки верните рычаг в первоначальное положение.

- Убедитесь в том, что обратная сторона пилки находится точно в канавке направляющего ролика.

⚠ ОСТОРОЖНО:

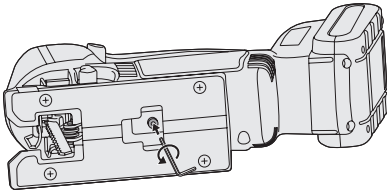
Если пилка не будет установлена достаточно глубоко, она может неожиданно выскочить во время работы. Это очень опасно.

Снятие

1. Поднимите рычаг установки/снятия пилки.
2. Вытяните пилку.

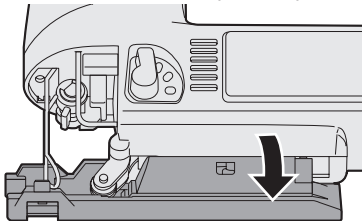
Регулировка опоры

1. С помощью шестигранного ключа открутите фиксирующий винт опоры.



2. Передвиньте опору вдоль регулировочного отверстия и выберите нужное положение. (См. рисунок справа.)

- Опору можно развернуть в сторону на угол от 0° до 45° и кроме этого переместить вперед/назад. При необходимости выполнить наклон, снимите пылезащитную крышку.
- Для определения угла пользуйтесь градуированной шкалой.
- Фиксирующий винт направляющей планки должен находиться на стороне, обратной наклону инструмента.



3. Для закручивания главного скрепляющего винта используйте шестигранный ключ.

Положение опоры и назначение

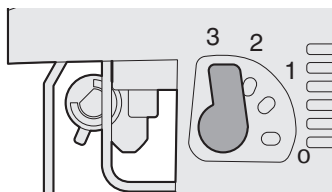
Отверстие для регулировки положения опоры	Назначение
	Пиление под прямым углом
	Пиление под углом от 0° до 45°
	Пиление под углом 45°
	Пиление вблизи края стены

ПРИМЕЧАНИЕ:

Используйте данное руководство в качестве рекомендации. Действительный угол может отличаться из-за изменения положения инструмента относительно поверхности изделия.

Установка режима маятникового хода

- Установите нужный режим маятникового хода для пиления изделия.



Положение рычага	Движение пилки	Основное назначение
0	 Только вертикально	<ul style="list-style-type: none"> • Пиление изделий из стали • Пиление мягких строительных материалов и фанерной плиты • Пиление небольших окружностей
1	 Узкий режим маятникового хода	<ul style="list-style-type: none"> • Пиление мягких металлов, таких как алюминий и цветные металлы • Пиление изделий из твердых пород дерева, фанерной плиты и пластика
2	 Средний режим маятникового хода	<ul style="list-style-type: none"> • Пиление очень мягких материалов • Пиление дерева и плит из композитных материалов • Скоростное пиление алюминия и мягкой стали
3	 Широкий режим маятникового хода	<ul style="list-style-type: none"> • Пиление очень мягких материалов • Скоростное пиление древесины, плит из композитных материалов и пластика и аналогичных изделий.

- Для выполнения чистого пропила установите инструмент в средний режим маятникового хода.

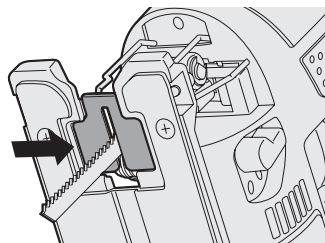
Антирасщепительное устройство

Работая с деревянными плитами, используйте антирасщепительное устройство.

Установка

1. Установите опору под прямым углом 90°.
2. Разместите антирасщепительное устройство под опорой и зафиксируйте легким нажатием.

- Установите устройство так, чтобы отверстие в середине антирасщепительного устройства было обращено в сторону лобзика.

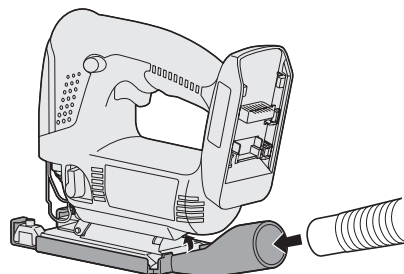


Переходник для пылесоса (EY9H009E) (Поставляется по заказу, не включено)

Для сбора пыли во время работы лобзика можно использовать пылесос.

Установка

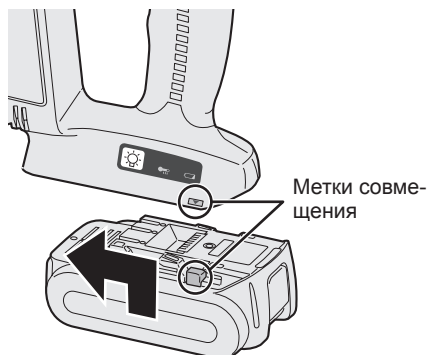
1. Установите переходник для пылесоса на выступ в передней части опоры.
2. Опустите вниз и зафиксируйте его.
3. Прикрепите шланг от пылесоса.



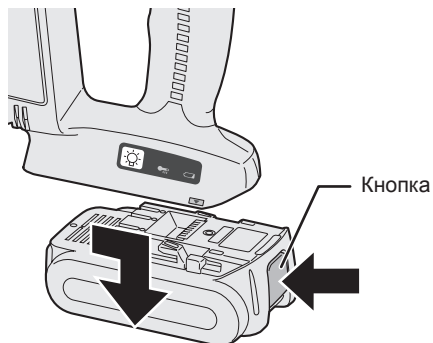
- Обязательно используйте переходник для пылесоса, который предохраняет поверхность обрабатываемой детали от повреждений.

Закрепление или снятие аккумуляторного блока

1. Для крепления аккумуляторного блока: Выровняйте метки совмещения и прикрепите аккумуляторный блок.
 - Передвиньте аккумуляторный блок и зафиксируйте его на месте.

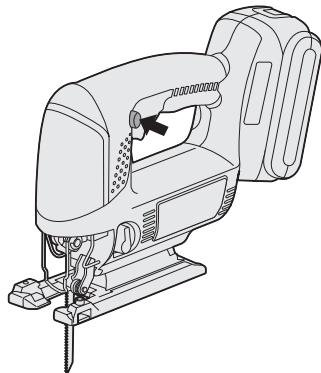


2. Для снятия аккумуляторного блока: Нажмите на кнопку спереди, чтобы освободить аккумуляторный блок.



IV. Порядок работы

1. Опустите блокиратор выключателя вниз, нажмите на кнопку выключателя.
 - Скорость работы лобзика увеличивается с увеличением силы нажатия на кнопку выключателя.



2. После завершения пропила отпустите кнопку выключателя.
3. Дождитесь, пока температура пилки не снизится, и снимите пилку.

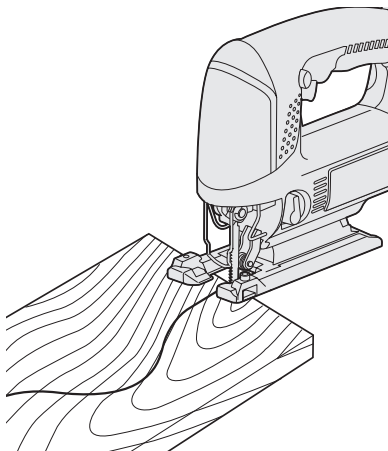
Пиление

ПРИМЕЧАНИЕ:

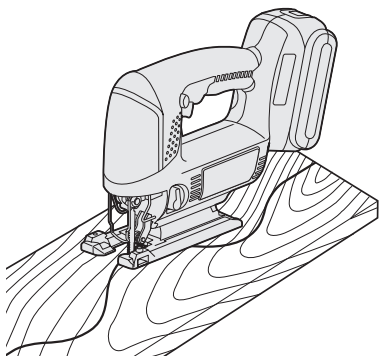
- Убедитесь в отсутствии помех под обрабатываемым изделием.
- Убедитесь в отсутствии в обрабатываемом изделии металлических деталей, например, гвоздей. При вхождении пилки во время пиления в контакт с такой деталью возможен резкий ответный удар, способный нанести значительные увечья.
- Не кладите руки на обрабатываемую деталь в направлении движения инструмента. При невыполнении данного условия существует риск получения травм.
- Не касайтесь пилки сразу же после прекращения работы. В противном случае вы можете получить ожог.

Пиление по отмеченным линиям

1. Установите изделие на основание и выровняйте пилку с отмеченной линией.
 - Не касайтесь пилкой изделия до включения питания.

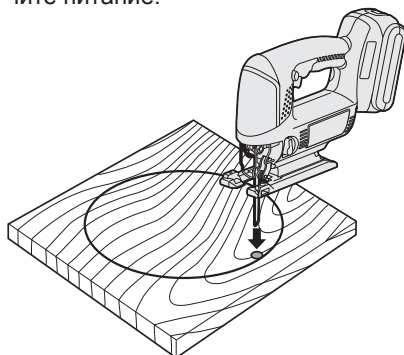


2. Включите питание, дождитесь до тех пор, пока не стабилизируется скорость, установите пилку напротив отмеченной линии и начните пиление.
 - При выполнении распила сложной формы, например, с большим количеством маленьких поворотов, снизьте скорость инструмента при прохождении поворотов.



Врезное пиление

1. С помощью дрели выполните отверстие на участке врезного пиления и вставьте в отверстие пилку.
2. Вставьте пилку в отверстие так, чтобы она не касалась изделия, затем включите питание.



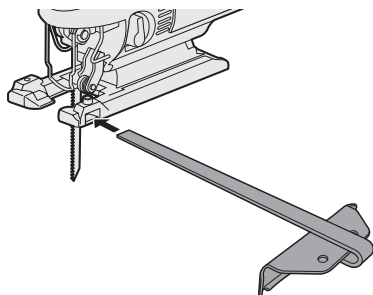
3. Выполняйте пиление по отмеченным линиям.

Использование направляющей планки (EY9X011E) (Имеется в качестве дополнительного приспособления, не включено)

Направляющая планка используется для выполнения параллельного распила, а также пиления окружностей и дуг.

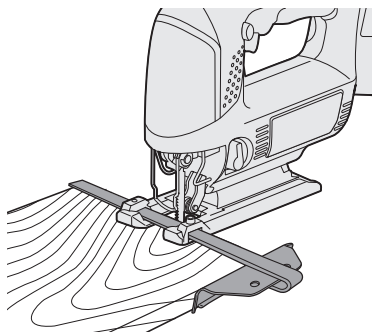
Установка направляющей планки

1. Открутите фиксирующий винт направляющей планки.
2. Пропустите направляющую планку через зажим.
3. Выберите нужное расстояние для пиления и затяните фиксирующий винт.



Пиление с соблюдением одинаковой ширины

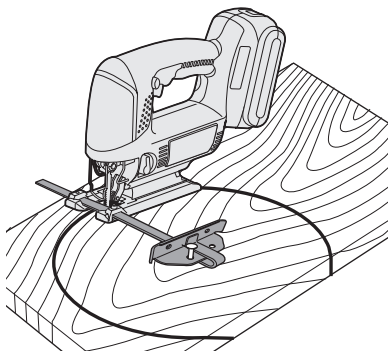
1. Установите опору на обрабатываемое изделие так, чтобы край изделия соприкасался с направляющей планкой.



2. Не касаясь пилкой обрабатываемого изделия включить питание.
3. Чтобы резать по параллельным линиям, поверните направляющую планку к обрабатываемой детали.

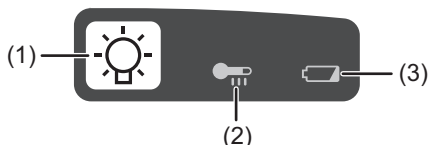
Выпиливание кривых

1. В случае, если пропил выполняется не с края, просверлите дрелью отверстие в изделии и просуньте туда пилку лобзика.
2. Выровняйте отверстие в направляющей планке с центром отверстия в изделии и вставьте гвоздь или винт для удерживания изделия на месте.

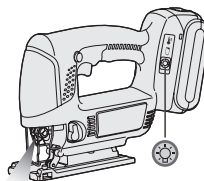



3. Не касаясь обрабатываемого изделия, включите питание.
4. Выполняйте пиление по отмеченным линиям.

Панель управления



(1) Светодиодная подсветка



Перед использованием светодиодной подсветки всегда однократно отключайте питание. Нажмите кнопку  светодиодной подсветки.

Лампа подсветки потребляет очень низкий ток и не оказывает отрицательного воздействия на производительность инструмента или на емкость аккумуляторов.

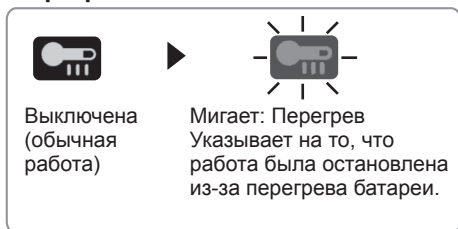
⚠ ВНИМАНИЕ:

- Встроенная светодиодная подсветка предназначена для освещения небольшой рабочей зоны в течение короткого промежутка времени.
- Не используйте ее в качестве постоянного фонарика, так как она не обладает достаточной яркостью.
- Светодиодная лампа выключается, если инструмент не используется в течение 5 минут.

Внимание: НЕ СМОТРЕТЬ НА ЛУЧ.

Использование органов управления или регулировок, либо выполнение процедур иным образом, чем указано в данной инструкции, может привести к попаданию под воздействие опасного излучения.

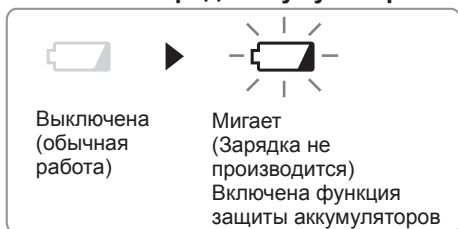
(2) Предупреждающая лампочка перегрева



Функция защиты от перегрева останавливает работу инструмента для защиты аккумуляторного блока в случае его перегрева. Если функция защиты от перегрева включена, на панели управления мигает предупреждающая лампочка.

- В случае включения функции защиты от перегрева дайте дрели остыть в течение продолжительного времени (не менее 30 минут). Аккумуляторы готовы к работе после выключения предупреждающей лампочки.
- Избегайте использования инструмента таким образом, чтобы это приводило к неоднократному включению функции защиты от перегрева.

(3) Предупреждающая лампочка низкого заряда аккумуляторов



Значительная (полная) разрядка ионно-литиевых аккумуляторов резко сокращает срок их службы. Данный инструмент оснащен функцией защиты аккумуляторов, которая предотвращает чрезмерную разрядку аккумуляторного блока.

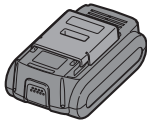
- Функция защиты аккумуляторов включается непосредственно перед тем, как аккумуляторный блок израсходует свой заряд, заставляя мигать предупреждающую лампочку низкого заряда аккумуляторов.

- Если вы заметили мигание предупреждающей лампочки низкого заряда аккумуляторов, немедленно зарядите аккумуляторный блок.

[Аккумуляторный блок] Для надлежащего использования аккумуляторного блока

Ионно-литиевый аккумуляторный блок (EY9L40/EY9L41)

- Для достижения оптимального срока службы аккумуляторов храните ионно-литиевый аккумуляторный блок в следующих условиях, не заряжая его.
- При зарядке аккумуляторного блока убедитесь в том, что на клеммах зарядного устройства нет посторонних веществ, таких как пыль и вода и т.п. Очищайте клеммы перед зарядкой аккумуляторного блока, если на них обнаружены посторонние вещества. Такие посторонние вещества, как пыль и вода, могут влиять на срок работы клемм аккумуляторного блока.
- Во время хранения аккумуляторного блока берегите его от соприкосновения с металлическими предметами, такими как: скрепки для бумаги, монеты, ключи, гвозди, винты и другие мелкие предметы, которые могут замкнуть контакты. Замыкание контактов аккумуляторного блока может привести к искрообразованию и возгоранию.
- Во время работы с аккумуляторным блоком убедитесь в том, что рабочее помещение хорошо проветривается.
- При извлечении аккумуляторного блока из основного корпуса инструмента, сразу же закройте крышку аккумуляторного блока для предотвращения загрязнения клемм аккумуляторов пылью и грязью, что может вызвать короткое замыкание.



Срок службы аккумуляторного блока

Аккумуляторные батареи имеют ограниченный срок службы. Если после зарядки время работы становится чрезмерно коротким, замените аккумуляторный блок новым.

Утилизация аккумуляторов

ВНИМАНИЕ:

Для защиты окружающей среды и в целях вторичного использования материалов, примите меры к тому, чтобы утилизация проводилась в официально назначенном месте, если такового есть в Вашей стране.

[Зарядное устройство]

Зарядка

Общие меры предосторожности для литий-ионного/никель-металлогидридного/никель-кадмиевого батарейного блока

- Если температура батарейного блока опустится ниже приблизительно -10°C (14°F), зарядка автоматически прекратится для предотвращения ухудшения характеристик батареи.

Общие меры безопасности для ионно-литиевого/никель-металлогидридного/никель-кадмиевого аккумуляторного блока

- Диапазон температуры окружающей среды составляет от 0°C (32°F) до 40°C (104°F). Если аккумуляторный блок используется при температуре аккумуля-

торов ниже 0°C (32°F), инструмент может не функционировать надлежащим образом.

- При зарядке холодного аккумуляторного блока (с температурой ниже 0°C (32°F)) в теплом месте, установите аккумуляторный блок в этом месте и подождите не менее часа до тех пор, пока аккумуляторный блок не нагреется до уровня температуры окружающей среды.
- При последовательной зарядке более двух аккумуляторных блоков охладите зарядное устройство.
- Не вставляйте Ваши пальцы в контактные отверстия, когда Вы держите зарядное устройство, а также в других случаях.

⚠ ВНИМАНИЕ:

Для предотвращения риска пожара или повреждения зарядного устройства.

- Не используйте в качестве источника питания генератор двигателя.
- Не блокируйте вентиляционные отверстия на зарядном устройстве и аккумуляторном блоке.
- Отсоедините зарядное устройство от розетки питания, если оно не используется.

Ионно-литиевый аккумуляторный блок

ПРИМЕЧАНИЕ:

При покупке аккумуляторный блок реализуется не полностью заряженным. Перед началом работы обязательно зарядите его.

Зарядное устройство (EY0L80)

1. Включите зарядное устройство в штепсельную розетку переменного тока.

ПРИМЕЧАНИЕ:

При подключении штепсельной вилки к источнику питания переменного тока возможно образование искр, но это не представляет проблему с точки зрения безопасности.

2. Плотно вставьте аккумуляторный блок в зарядное устройство.
 1. Пользуясь метками совмещения вставьте аккумуляторный блок в зарядное устройство.
 2. Сдвиньте его вперед в направлении стрелки.



3. Во время зарядки должна гореть лампочка зарядки.

После завершения зарядки автоматически сработает внутренний электронный переключатель, предотвращая чрезмерную зарядку.

- Зарядка не начнется, если аккумуляторный блок горячий (например, сразу же после работы под нагрузкой).

Оранжевая лампочка режима ожидания будет мигать, пока аккумулятор не остынет.

Затем зарядка начнется автоматически.

4. Лампочка зарядки (зеленая) начнет периодически мигать, как только заряд аккумуляторов достигнет 80%.
5. После завершения зарядки лампочка зарядки начнет мигать чаще зеленым светом.
6. Если температура аккумуляторного блока находится на уровне не более 0eC, полная зарядка аккумуляторного блока займет больше времени в сравнении с обычным временем зарядки. Даже после полной зарядки аккумуляторы будут иметь приблизительно 50% мощности аккумуляторов, полностью заряженных при обычной температуре.
7. Если лампочка питания не включается после включения зарядного устройства, либо по истечении времени, необходимого для завершения зарядки, лампочка не начинает мигать зеленым светом, обратитесь в уполномоченный сервисный центр.

8. Если полностью заряженный аккумуляторный блок снова вставить в зарядное устройство, загорится лампочка зарядки. Через несколько минут лампочка зарядки может начать быстро мигать, показывая, что зарядка завершена.

Никель-металлогидридный/никель-кадмиевый аккумуляторный блок

ПРИМЕЧАНИЕ:

При первой зарядке аккумуляторного блока, или после длительного хранения, для полной зарядки зарядите его в течение около 24 часов.

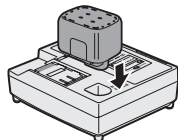
Зарядное устройство (EY0L80)

1. Включите зарядное устройство в штепсельную розетку переменного тока.

ПРИМЕЧАНИЕ:

При подключении штепсельной вилки к источнику питания переменного тока возможно образование искр, но это не представляет проблему с точки зрения безопасности.

2. Плотно вставьте аккумуляторный блок в зарядное устройство.



3. Во время зарядки должна гореть лампочка зарядки. После завершения зарядки автоматически сработает внутренний электронный переключатель, предотвращая чрезмерную зарядку.
 - Зарядка не начнется, если аккумуляторный блок горячий (например, сразу же после работы под нагрузкой). Оранжевая лампочка режима ожидания будет мигать, пока аккумулятор не остынет. Затем зарядка начнется автоматически.
4. После завершения зарядки лампочка зарядки начнет мигать чаще зеленым светом.

5. Если лампочка зарядки не загорается непосредственно после включения зарядного устройства, или если лампочка не гаснет по истечении стандартного времени зарядки, обратитесь в уполномоченный сервисный центр.
6. Если полностью заряженный аккумуляторный блок снова вставить в зарядное устройство, загорится лампочка зарядки. Через несколько минут лампочка зарядки может начать быстро мигать, показывая, что зарядка завершена.

ЛАМПОВЫЕ ИНДИКАТОРЫ



Зеленый постоянный свет
Зарядное устройство подключено к штепсельной розетке переменного тока.
Готово к зарядке.



Зеленый часто мигающий свет
Зарядка завершена. (Полная зарядка.)



Зеленый мигающий свет
Батарея заряжена приблизительно на 80%. (Рабочий уровень зарядки. Только для ионно-литиевой батареи)



Зеленый постоянный свет
Выполняется зарядка.



Оранжевый свет
Низкая температура аккумуляторного блока.
Аккумуляторный блок заряжается медленно, чтобы снизить нагрузку на батарею. (Только ионно-литиевая аккумуляторная батарея)



Оранжевый мигающий свет
Аккумуляторный блок горячий. Зарядка начнется, когда температура аккумуляторного блока понизится.



Если температура аккумуляторного блока не превышает -10°C , начинает также мигать лампочка зарядки (оранжевая). Зарядка начнется тогда, когда температура аккумуляторного блока повысится. (Только ионно-литиевая аккумуляторная батарея).



Лампочка состояния зарядки
Левая: зеленая Правая: оранжевая будут гореть.

Частое мигание оранжевого и зеленого света
одновременного
Зарядка невозможна. Аккумуляторный блок забит пылью или неисправен.

Информация по обращению с отходами для стран, не входящих в Европейский Союз



Cd

Действие этих символов распространяется только на Европейский Союз.

Если Вы собираетесь выбросить данные элементы, узнайте в местных органах власти или у дилера, как следует поступать с отходами такого типа.

V. ОБСЛУЖИВАНИЕ

Для протирания устройства используйте сухую мягкую ткань. Не используйте для очистки влажную ткань, разбавитель, бензин или прочие летучие растворители.

VI. ПРИНАДЛЕЖНОСТИ

⚠ ВНИМАНИЕ:

- Использование любых принадлежностей, не перечисленных в данном руководстве, может привести к пожару, удару электрическим током или травме. Используйте только рекомендованные принадлежности.

Лезвие по металлу

• EY9SXMJ0E

Для универсальной резки металлов

Лезвие по дереву

• EY9SXWJ0E

Для универсальной резки дерева

Лезвие по гипсокартону

• EY9SXXJ0E

Для универсальной резки гипсокартона

Направляющая планка
(Дополнительное оснащение)

• EY9X009E

Для удобства продольной резки и повторной резки той же ширины

Насадка для сбора пыли для пылесоса
(Дополнительное оснащение)

• EY9X011E

VII. ТЕХНИЧЕСКИЕ ХАРАКТЕРИСТИКИ

ОСНОВНОЕ УСТРОЙСТВО

Модель	EY4541	
Электромотор	14,4 В постоянного тока	
Максимальная толщина навесного лезвия	1,3 мм (1/16")	
Длина хода полотна	20 мм (25/32")	
Число ходов полотна в минуту	0 - 2400 /мин	
Максимальные режущие способности	Дерево	65 мм (2-9/16")
	Мягкая сталь	6 мм (1/4")
	Алюминий	10 мм (3/8")
Общая длина	270 мм (10-5/8")	
Вес (с аккумуляторным блоком: EY9L40)	2,2 кг (4,8 фунта)	
Вес (с аккумуляторным блоком: EY9L41)	2,25 кг (5 фунта)	
Шум, Вибрация	См. в прилагаемой ведомости	

АККУМУЛЯТОРНЫЙ БЛОК

Модель	EY9L40	EY9L41
Используемая батарея	Ионно-литиевая аккумуляторная батарея	
Напряжение батареи	14,4 В постоянного тока (3,6 В Ч 4 элементов)	
Емкость	3 Ампер-час	3,3 Ампер-час

ЗАРЯДНОЕ УСТРОЙСТВО

Модель	EY0L80
Технические параметры	См. табличку с техническими параметрами на нижней поверхности зарядного устройства.
Вес	0,95 кг (2,1 фунт)

[Ионно-литиевый аккумуляторный блок]

Время зарядки	3 Ампер-час	14,4 В	21,6 В	28,8 В
		EY9L40	EY9L60	EY9L80
		Рабочая: 35 мин	Рабочая: 45 мин	Рабочая: 55 мин
		Полная: 50 мин	Полная: 60 мин	Полная: 70 мин
Время зарядки	3,3 Ампер-час	14,4 В		
		EY9L41		
		Рабочая: 45 мин		
		Полная: 60 мин		

[Никель-металлогидридный/никель-кадмиевый аккумуляторный блок]

Время зарядки	1,2 Ампер-час	7,2 В	9,6 В	12 В	15,6 В	18 В	24 В	
		EY9065 EY9066	EY9080 EY9086	EY9001 EY9006				
		20 мин						
	1,7 Ампер-час		EY9180 EY9182	EY9101 EY9103				
		25 мин						
	2 Ампер-час	EY9168	EY9188	EY9106 EY9107 EY9108	EY9136			EY9116 EY9117
30 мин						60 мин		
3 Ампер-час			EY9200 EY9230				EY9210	
				45 мин			90 мин	
3,5 Ампер-час			EY9201 EY9231	EY9251				
				55 мин		65 мин		

ПРИМЕЧАНИЕ: В таблице могут быть включены модели, отсутствующие в вашем регионе.

Пожалуйста, обратитесь к последнему общему каталогу.

ПРИМЕЧАНИЕ: Имя и адрес продавца см. в прилагаемом гарантийном формуляре.

I. ВИКОРИСТАННЯ ЗА ПРИЗНАЧЕН- НЯМ

Дякуємо, що придбали лобзик виробництва Panasonic. Цей лобзик може використовуватись разом із батареями виробництва Panasonic для забезпечення найкращих експлуатаційних характеристик машинної ножівки. Лобзик призначений для різання тільки металу, деревини та гіпсокартону. Перед початком використання ознайомтесь із брошурою «Правила техніки безпеки» та наступною інформацією.

II. Д О Д А Т К О В І П РА В И Л А Т Е Х Н І - К И Б Е З П Е К И

- 1) Тримайте електроінструмент за ізольовані поверхні захватів при виконанні робіт, коли ріжучий інструмент може доторкнутися схованої електричної проводки. Доторкання до проводу "під напругою" призведе до того, що металічні деталі електроінструменту опиняться "під напругою" і оператор отримає ураження електричним струмом.
- 2) Використовуйте кріпильні чи інші зручні пристрої для закріплення оброблюваної деталі на нерухливій платформі. Тримання деталі в руках або напроти тіла є ненадійним та може призвести до втрати контролю.
- 3) Тримайте руки якомога далі від зони різання та полотна пили. Тримайте поверхні для захвату ізольованими. В разі, якщо обидві руки тримають інструмент, то полотно не зможе порізати руки.
- 4) Ніколи не тримайте деталь, що обробляється, в руках або на колінах. Дуже важливо закріпити деталь, що обробляється, належним чином для зменшення небезпеки отримання травми або втрати контролю.
- 5) Пам'ятайте, що даний інструмент завжди знаходиться в робочому стані, оскільки його не потрібно вмикати в електричну розетку.
- 6) Завжди використовуйте захисні окуляри або окуляри с бічними щитками. Звичайні окуляри або сонцезахисні окуляри НЕ є захисними окулярами.
- 7) Коли даний електроінструмент використовується для обробки деревини в замкнутому просторі (тобто в замкнутих приміщеннях), одягайте маску проти пилу.
- 8) Уникайте різання цвяхів. Обстежуйте деталь, що обробляється, на наявність будь-яких цвяхів та видаляйте їх перед початком роботи.
- 9) Не ріжте негабаритну деталь, що обробляється.
- 10) Перед різанням перевірте належний зазор позаду деталі, що обробляється, задля того, щоб полотно не вдарило в підлогу, верстак і т.д.
- 11) Міцно тримайте електроінструмент.
- 12) Перед тим, як ввімкнути перемикач, переконайтесь, що полотно не торкається деталі, що обробляється.
- 13) Тримайте руки якомога далі від деталей, що рухаються.
- 14) Не доторкайтесь до полотна або деталі, що обробляється, відразу після експлуатації; вони можуть бути дуже гарячими і обпекти вашу шкіру.
- 15) Ніколи не розмахуйте інструментом під час різання.
- 16) Не використовуйте деформовані або тріснути полотна.
- 17) Не використовуйте полотна, які не відповідають характеристикам, зазначеним у даній інструкції.
- 18) Зніміть батарейний блок з корпусу електроінструменту перед тим, як міняти полотно, здійснювати регулювання або іншу роботу по обслуговуванню.
- 19) Одягайте навушники під час використання інструменту впродовж тривалого часу.

Символ	Значення
V	Вольти
---	Постійний струм
n ₀	Швидкість без навантаження
... хв ⁻¹	Кількість обертів або зворотно-поступальних рухів на хвилину
Амперодина	Електрична ємність батарейного блоку
	Для зменшення ризику отримання травми, користувач повинен ознайомитись та зрозуміти посібник користувача.
	Для використання лише всередині приміщень.

⚠ ОБЕРЕЖНО:

- Не використовуйте інші батарейні блоки, окрім блоків виробництва Panasonic, що були розроблені спеціально для використання з цим акумуляторним інструментом.
- Не кидайте батарейний блок у вогонь й не піддавайте його дії високих температур.
- Не вставляйте в батарейний блок, наприклад, цвяхи, не піддавайте його дії ударів, не розбирайте та не намагайтесь його модифікувати.
- Не допускайте контакту металічних предметів з контактами батарейного блоку.
- Не переносьте й не зберігайте батарейний блок разом із цвяхами або іншими металевими предметами.
- Не заряджайте батарейний блок у приміщенні з високою температурою, біля вогню або на сонці. В іншому випадку блок може перегрітись, спалахнути або вибухнути.
- Завжди використовуйте для зарядки тільки спеціальний зарядний пристрій. В іншому випадку блок може дати течу, спалахнути або вибухнути.
- Після зняття батарейного блоку з інструменту або зарядного пристрою, завжди встановлюйте на місце кришку блоку. Інакше може трапитися коротке замикання контактів батареї, що може призвести до пожежі.

III. ПІДГОТОВКА ДО РОБОТИ

⚠ ОБЕРЕЖНО:

Для зменшення ризику отримання травми завжди знімайте батарейний блок, перш ніж здійснювати заміну полотна.

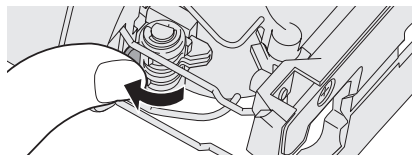
Здійснення огляду перед початком використання

- Перевірте правильність вибору полотна для різання деталі?
- Чи було встановлено шток відповідної форми з потрібною товщиною леза?
- Перевірте надійність фіксації полотна
- Перевірте відсутність на полотні деформацій або тріщин.
- Перевірте відсутність сторонніх предметів на деталі, що буде різатись.

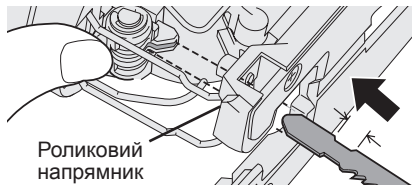
Встановлення та зняття полотна

Встановлення

1. Видаліть будь-які уламки від різання з полотна та кріпильної дужки.
2. Підніміть рукоятку встановлення/зняття полотна.



3. Вставте лезо в кронштейн і встановіть зворотну сторону леза вздовж роликів так, щоб лезо ножівки ковзало по роликівій напрямній.



4. Підніміть рукоятку встановлення/зняття полотна.
 - Після надійної фіксації полотна поверніть рукоятку до первинного по-

ложення.

- Перевірте, що зворотна сторона полотна знаходиться у пазі роликового напрямника.

⚠ ОБЕРЕЖНО:

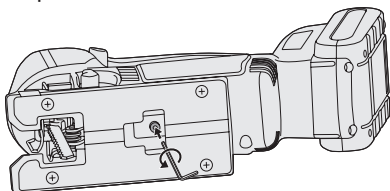
Якщо Ви не вставите полотно достатньо глибоко, воно може виштовхнутись раптом під час роботи. Це дуже небезпечно.

Зняття

1. Підніміть рукоятку встановлення/зняття полотна.
2. Витягніть полотно.

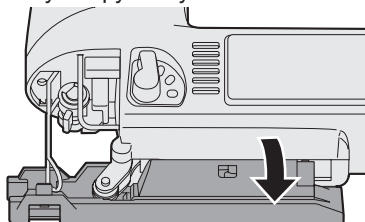
Налаштування опори

1. За допомогою шестигранного гайково-го ключа відпустіть кріпильний гвинт опори.



2. Зсуньте опору впродовж регульовального отвору опори та встановіть потрібне положення. (Див. малюнок з правого боку)

- Опору можна відрегулювати в проміжку від 0° до 45° убік та в положення вперед/назад. В разі похилення опори убік, зніміть по-перше кришку проти запилення.
- Для встановлення куту користуйтеся градуйованою шкалою.
- Кріпильний гвинт напрямної лиштва має бути на стороні, протилежній скосу інструменту.



3. Для закручування головного з'єднувального гвинта використовуйте

шестигранний ключ.

Положення опори та призначення

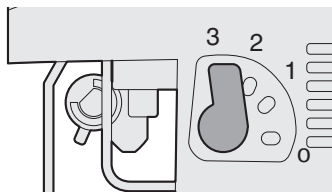
Отвір для регулювання положення опори	Призначення
	Різання під прямим кутом
	Різання під кутом в проміжку між 0° та 45°
	Різання під кутом 45°
	Різання поруч із краєм муру

ПРИМІТКА:

Використовуйте цей посібник в якості рекомендації. Фактичний кут різання залежить від таких факторів, як рух, в якому інструмент тримається по відношенню до поверхні.

Налаштування режиму маятникового руху

- Налаштуйте потрібний режим маятникового руху по відношенню до об'єкту, що буде різатись.



Положення рукоятки	Рух полотна	Основне застосування
0	 Тільки у вертикальному положенні	<ul style="list-style-type: none"> Різання твердих металів, таких як сталь Повільне різання будівних матеріалів та фанерних дощок Різання невеликих окружностей
1	 Режим узького маятникового руху	<ul style="list-style-type: none"> Різання м'яких металів, таких як алюміній та інших кольорових металів. Різання твердої деревини, фанерних дощок та пластику
2	 Режим середнього маятникового руху	<ul style="list-style-type: none"> Різання дуже м'яких матеріалів Різання деревини та композитних дощок Високошвидкісне різання алюмінію та м'яких металів
3	 Режим високого маятникового руху	<ul style="list-style-type: none"> Різання м'яких матеріалів Високошвидкісне різання таких матеріалів, як деревини, композитних дощок та пластику

- В разі, якщо ви бажаєте отримати більш охайну обробку, встановіть середній режим маятникового руху.

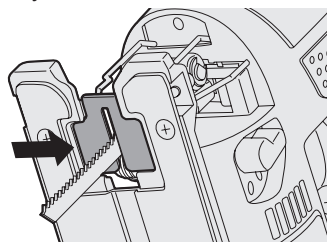
Пристрій проти розщеплювання

Під час роботи із деревиною використовуйте пристрій проти розщеплювання.

Встановлення

- Встановіть опору під прямим кутом 90°.
- Встановіть пристрій проти розщеплювання під опору та зафіксуйте за допомогою легкого натиску.

- Встановіть пристрій таким чином, щоб скіс пазу всередині пристрою проти розщеплювання був у напрямку лобзика.

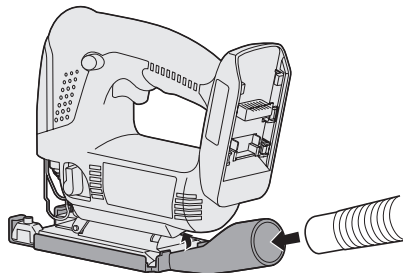


Адаптер для пилососу (EY9H009E) (Наявний в якості додаткового обладнання; в комплект не включений)

Пилосос можна використовувати під час різання для збору пилу.

Встановлення

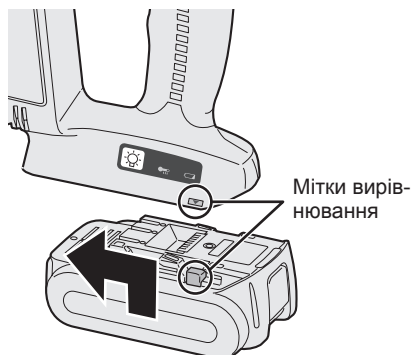
- Приєднайте адаптер на виступі в передньому боці опори.
- Опустіть донизу та зафіксуйте його.
- Приєднайте рукав пилососу.



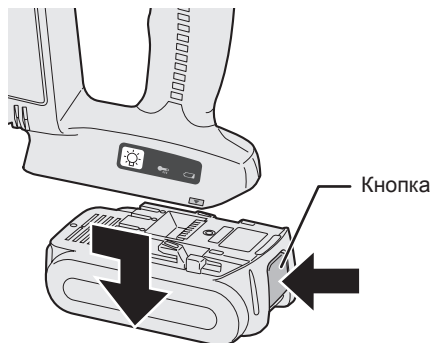
- Обов'язково використовуйте адаптер для пирососу для зменшення ризику пошкодження поверхні деталі, що оброблюється.

Закріплення або зняття батарейного блоку

1. Для приєднання батарейного блоку: Зрівняйте мітки вирівнювання і закріпіть батарейний блок.
 - Змістіть батарейний блок та зафіксуйте його на місці.

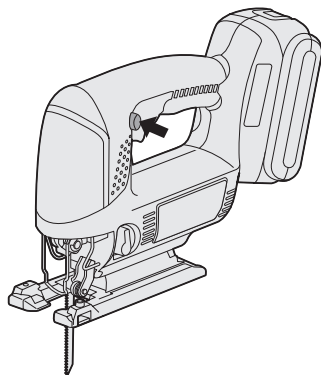


2. Для зняття батарейного блоку: Натисніть на кнопку спереду, щоб звільнити батарейний блок.



IV. ПОРЯДОК РОБОТИ

1. Відпустіть блокіратор вимикача донизу, натисніть кнопку вимикача.
 - Швидкість роботи лобзика збільшиться із збільшенням сили натиску кнопки вимикача.



2. Після завершення різання, вимкніть і відпустіть кнопку вимикача.
3. Дочекайтесь, поки температура полотна в достатній мірі не впала, після чого зніміть полотно.

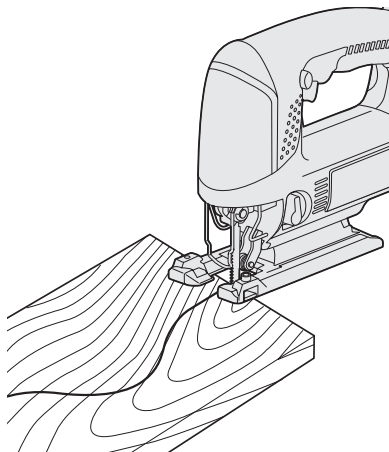
Різнання

ПРИМІТКА:

- Перевірте відсутність будь-яких завад під деталлю, що буде різатися.
- Перевірте, відсутність в матеріалі, що буде різатися, таких завад, як цвяхи.
В разі, якщо полотно увійде у контакт із такими об'єктами під час різання, то міцна сила реакції, що з'явиться, може призвести до отримання травми.
- Не кладіть руки на об'єкт у напрямку руху різання.
В разі недотримання цієї поради існує ризик отримання травми.
- Не торкайтесь полотна відразу після різання.
В разі недотримання цієї поради можна отримати опіки.

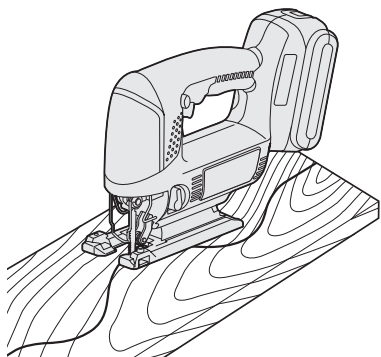
Різання по відміченим лініям

1. Покладіть об'єкт, що має різатись, на опору та вирівняйте полотно із відміченою лінією.
 - Не торкайтесь полотном об'єкта, що має різатись, до включення живлення.



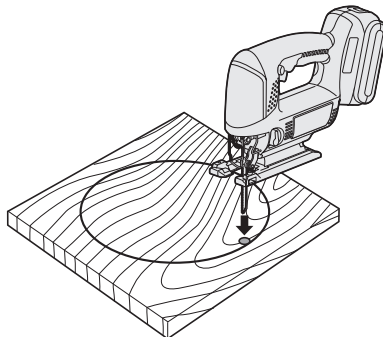
2. Включіть живлення, дочекайтесь, поки швидкість не стабілізується, після чого можна встановити об'єкт, що має різатись, на основу та почати різати впродовж відмічених ліній.

- Під час різання складних форм, таких як форми із декількома невеликими поворотами, необхідно понизити швидкість інструмента під час проходження поворотів.



Обробка з урізною подачею

1. За допомогою дрилу висвердліть отвір в місці, що має бути оброблене з урізною подачею, та вставте в отвір полотно.
2. Встановіть полотно до отвору таким чином, щоб воно не зачіпало деталь, після чого включіть живлення.



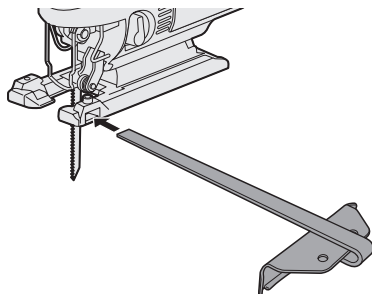
3. Здійсніть різання впродовж поставлених ліній.

Використання напрямної лиштви (EY9X011E) (Наявна в якості додаткового обладнання; в комплект не включений)

Напрямна лиштва може використовуватись для різання паралельних ліній, кругів та дуг.

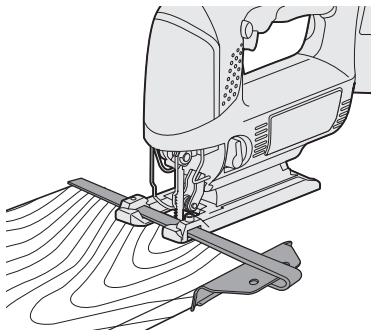
Встановлення напрямної лиштви

1. Відкрутіть кріпильний гвинт напрямної лиштви.
2. Пропустіть напрямну лиштву через кріплення.
3. Встановіть положення різання, після чого стягніть кріпильний гвинт.



Різання із додержанням однакової ширини

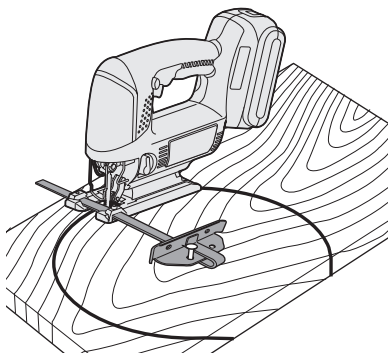
1. Встановіть основу на оброблювану деталь таким чином, щоб край напрямної лиштва торкався деталі.



2. Не торкаючись полотном оброблюваної деталі, включіть живлення.
3. Щоб різати по паралельним лініям, поверніть направляючу планку до оброблюваної деталі.

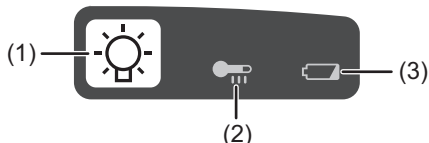
Різання кривих

1. Під час відтинання секції висвердліть дрилку отвір в деталі та вставте в отвір полотно лобзика.
2. Вирівняйте точковий отвір напрямної лиштва із центром отвору, після чого за допомогою цвяха або гвинта утримуйте об'єкт на місці.

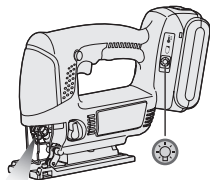


3. Не торкаючись деталі, включіть живлення.
4. Здійсніть різання впродовж проставлених ліній.


Панель управління



(1) Світлодіодне підсвічування



Перед використанням світло-діодного підсвічування завжди одноразово вимикайте живлення.

Натисніть кнопку  світлодіодного підсвічування.

Підсвічування використовує дуже низький струм і не впливає негативно на продуктивність інструменту під час роботи або на емкість його батареї.

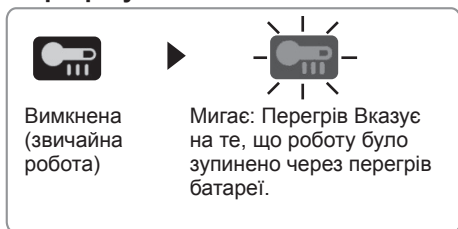
⚠ УВАГА:

- Вбудоване світлодіодне підсвічування призначене для тимчасового освітлення невеликої робочої зони.
- Не використовуйте його у якості заміни постійного ліхтарика, оскільки воно не має достатньої яскравості.
- Світлодіодна лампа відключається в разі, якщо інструмент не використовується протягом 5 хвилин.

Увага : НЕ ДИВИТИСЯ НА ПРОМІНЬ.

Використання органів управління або регулювань, або виконання процедур іншим чином, ніж вказано в даній інструкції, може призвести до попадання під небезпечне радіоактивне опромінювання.

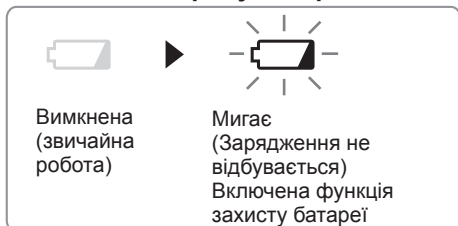
(2) Попереджувальна лампочка перегріву



Функція захисту від перегріву зупиняє роботу інструменту для захисту батарейного блоку у випадку його перегріву. Коли функція включена, на панелі управління мигає попереджувальна лампочка перегріву.

- У випадку включення функції захисту від перегріву, дайте дрилі достатньо охолотитися (щонайменше на протязі 30 хвилин). Батареї будуть готові до роботи після вимкнення попереджувальної лампочки.
- Уникайте використання мотору таким чином, щоб це призводило до неодноразового включення попереджувальної лампочки.

(3) Попереджувальна лампочка низького заряду батареї



Надмірне (повне) розрядження літій-іонних батарей значно скорочує строк їхньої служби. Даний інструмент оснащений функцією захисту батареї, яка призначена для попередження надмірного розрядження батарейного блоку.

- Функція захисту батареї активується безпосередньо перед тим, як батарея втратить свій заряд, що змушує мигати попереджувальну лампочку низького заряду батареї.
- Якщо ви помітили, що попереджувальна лампочка низького заряду батареї мигає, негайно зарядіть батарейний блок.

[Батарейний блок]

Для належного використання батарейного блоку

Літій-іонний батарейний блок (EY9L40/EY9L41)

- Щоб досягнути оптимального строку служби батареї, зберігайте літій-іонний батарейний блок в зазначених умовах, не заряджаючи його.
- При заміні батарейного блоку переконайтеся в тому, що на клеммах зарядного пристрою батареї немає сторонніх речовин, таких як пил, вода і т.п. Очищайте клеми перед зарядкою батарейного блоку, якщо на них виявлені сторонні речовини. Такі сторонні речовини, як пил і вода, можуть впливати на термін роботи клем батарейного блоку.
- Під час зберігання батарейного блоку оберігайте його від зіткнення із металевими речами, такими як: скріпки для паперу, монети, ключі, цвяхи, гвинти чи інші невеликі металеві предмети, що можуть замкнути клеми одна з одною. Зберігання батарейних блоків разом може стать причиною виникнення іскор, опіків або пожежі.
- Під час роботи з батарейним блоком переконайтеся, що робоче приміщення добре провітрюється.
- При витягуванні батарейного блоку з основного корпусу інструменту, негайно замініть кришку батарейного блоку для запобігання забруднення клем батареї пилом та брудом, що може викликати коротке замикання.



Термін служби батарейного блоку

Акумуляторні батареї мають обмежений термін служби. Якщо після зарядки час функціонування стає надмірно коротким, замініть батарейний блок на новий.

Утилізація батареї

УВАГА:

З метою захисту навколишнього середовища та утилізації матеріалів, переконайтеся, що вона утилізована в офіційно визначеному місці, якщо таке є у вашій країні.

[Зарядний пристрій]

Зарядка

Загальні застережні заходи щодо літій-іонного/нікель-металогібридного/нікель-кадмієвого батарейного блоку

- Якщо температура батарейного блоку впаде нижче приблизно -10°C (14°F), зарядку буде автоматично перервано, щоб відвернути погіршення характеристик батареї.

Загальні застережні заходи щодо літій-іонного/нікель-металогібридного/нікель-кадмієвого батарейного блоку

- Діапазон температури навколишнього середовища складає від 0°C (32°F) до 40°C (104°F). Якщо батарейний блок буде використовуватись при температурі батареї нижче 0°C (32°F), інструмент може функціонувати неналежним чином.
- При зарядці холодного батарейного блоку (з температурою нижче 0°C (32°F)) в теплому місці, залиште батарейний блок в цьому місці та почекайте понад одну годину, доки батарея нагріється до рівня температури навколишнього середовища.

- Охолодіть зарядний пристрій при послідовній зарядці більш ніж двох батарейних блоків.
- Не вставляйте Ваші пальці в контактні отвори, коли тримаєте зарядний пристрій, а також в інших випадках.

⚠ УВАГА:

Для уникнення ризику пожежі або пошкодження зарядного пристрою.

- Не використовуйте в якості джерела живлення генератор двигуна.
- Не блокуйте вентиляційні отвори на зарядному пристрої та батарейному блоці.
- Вимкніть зарядний пристрій зі штепсельної розетки, якщо він не використовується.

Літій-іонний батарейний блок

ПРИМІТКА:

Ваш батарейний блок не є повністю зарядженим під час придбання. Не забудьте зарядити його перед використанням.

Зарядний пристрій (EY0L80)

1. Ввімкніть зарядний пристрій в штепсельну розетку змінного струму.

ПРИМІТКА:

- При підключенні штепсельної вилки до джерела живлення змінним струмом можуть з'явитися іскри, але це не створює проблему з точки зору безпеки.
2. Щільно вставте батарейний блок в зарядний пристрій.
 1. Зрівняйте мітки вирівнювання і розмістіть батарею у заглибленні на зарядному пристрої.
 2. Зсуньте його вперед у напрямку стрілки.



Нікель-металогібридний/ нікель-кадмієвий батарей- ний блок

ПРИМІТКА:

При першому зарядженні батарейного блоку, або після тривалого зберігання, заряджуйте його протягом 24 годин, щоб довести батарею до повної зарядної ємності.

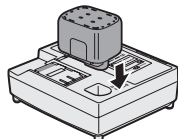
Зарядний пристрій (EY0L80)

1. Ввімкніть зарядний пристрій в штепсельну розетку змінного струму.

ПРИМІТКА:

При підключенні штепсельної вилки до джерела живлення змінним струмом можуть з'явитися іскри, але це не створює проблему з точки зору безпеки.

2. Щільно вставте батарейний блок в зарядний пристрій.



3. Під час зарядки має горіти лампочка зарядки.

Після завершення зарядки автоматично спрацює внутрішній електронний перемикач, запобігаючи надмірній зарядці.

- Зарядка не почнеться, якщо батарейний блок є надто гарячим (наприклад, безпосередньо після функціонування при великому навантаженні).

Оранжева лампочка режиму очікування буде мигати, доки батарея не охолоне. Далі зарядка почнеться автоматично.

4. Після завершення зарядки лампочка зарядки почне швидко мигати зеленим світлом.

5. Якщо лампочка живлення не загориться негайно після включення зарядного пристрою, або якщо після закінчення стандартного часу лампочка не почне швидко мигати, зверніться до уповноваженого сервісного центру.

3. Під час зарядки має горіти лампочка зарядки.

Після завершення зарядки автоматично спрацює внутрішній електронний перемикач, запобігаючи надмірній зарядці.

- Зарядка не почнеться, якщо батарейний блок є надто гарячим (наприклад, безпосередньо після функціонування при великому навантаженні).

Оранжева лампочка режиму очікування буде мигати, доки батарея не охолоне.

Далі зарядка почнеться автоматично.

4. Лампочка зарядки (зелена) буде повільно мигати, як тільки батарея буде заряджена приблизно на 80%.

5. Після завершення зарядки лампочка зарядки почне швидко мигати зеленим світлом.

6. Якщо температура батарейного блоку складає 0°C або менше, повна зарядка батарейного блоку займе більше часу, ніж звичайний час зарядки. Навіть після повної зарядки батарея буде мати приблизно 50% потужності батареї, яка була повністю заряджена за звичайної робочої температури.

7. Якщо лампочка живлення не загориться негайно після включення зарядного пристрою, або якщо після закінчення стандартного часу лампочка не почне швидко мигати, зверніться до уповноваженого сервісного центру.

8. Якщо повністю заряджений батарейний блок знову вставити в зарядний пристрій, загориться лампочка зарядки. Через декілька хвилин лампочка зарядки може почати швидко мигати, показуючи, що зарядка завершена.

6. Якщо повністю заряджений батарейний блок знову вставити в зарядний пристрій, загориться лампочка зарядки. Через декілька хвилин лампочка зарядки може почати швидко мигати, показуючи, що зарядка завершена.

СВІТЛОВІ ІНДИКАТОРИ



Зелене постійне світло
Зарядний пристрій підключений до штепсельної розетки змінного струму.
Готовий до зарядки.



Зелене часто мигаюче світло
Зарядка завершена. (Повна зарядка)



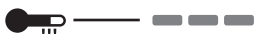
Зелене мигаюче світло
Батарея заряджена приблизно на 80%. (Робочий рівень зарядки. Тільки для літій-іонної батареї)



Зелене постійне світло
Виконується зарядка.



Оранжеве світло
Низька температура батарейного блоку.
Батарейний блок заряджається повільно, щоб знизити навантаження на батарею. Тільки для літій-іонної батареї)



Оранжеве мигаюче світло
Батарейний блок гарячий. Зарядження почнеться, коли температура батарейного блоку впаде.

Якщо температура батарейного блоку складає -10°C або менше, лампочка зарядки (оранжева) також почне мигати. Зарядка почнеться тоді, коли температура батарейного блоку підвищиться. (Лише літій-іонна батарея)



Лампочка стану зарядки
Ліва: зелене світло Права: оранжеве світло буде висвічуватись.



Швидке мигання одночасно оранжевим і зеленим світлом
Зарядження є неможливим. Батарейний блок засмічений пилом або несправний.

Інформація щодо утилізації в країнах, які не входять в Європейський Союз



Дані символи дійсні тільки на території Європейського Союзу.

При потребі утилізації даних елементів зверніться до місцевого керівництва або дилера щодо правильного методу її здійснення.

V. ОБСЛУГОВУВАННЯ

Для протирання пристрою використовуйте суху м'яку тканину. Не використовуйте для очищення вологу тканину, розріджувач, бензин або інші летучі розчинники.

VI. ПРИЛАДДЯ

⚠ УВАГА:

- Для запобігання ризику травми, використовуйте приладдя або пристрої за їхнім встановленим призначенням.

Лезо по металу

• EY9SXMJ0E

Для універсального різання металів

Лезо по дереву

• EY9SXWJ0E

Для універсального різання деревини

Лезо по гіпсокартону

• EY9SXXJ0E

Для універсального різання гіпсокартону

Направляюча планка (Додаткові деталі)

• EY9X009E

Для зручності поздовжнього різання й повторного різання тієї ж ширини.

Насадка для збора пилу пирососа (Додаткові деталі)

• EY9X011E

VII. ТЕХНІЧНІ ХАРАКТЕРИСТИКИ

ОСНОВНИЙ ПРИСТРІЙ

Модель	EY4541	
Мотор	14,4 В постійного струму	
Максимальна товщина навісного леза	1,3 мм (1/16")	
Довжина ходу полотна	20 мм (25/32")	
Число ходів полотна за хвилину	0 - 2400 /хв.	
Максимальна ріжуча можливість	Деревина	65 мм (2-9/16")
	М'яка сталь	6 мм (1/4")
	Алюміній	10 мм (3/8")
Загальна довжина	270 мм (10-5/8")	
Вага (з батарейним блоком: EY9L40)	2,2 кг (4,8 фунта)	
Вага (з батарейним блоком: EY9L41)	2,25 кг (5 фунта)	
Рівень шуму, Вібрація	Див. аркуш з комплекту	

БАТАРЕЙНИЙ БЛОК

Модель	EY9L40	EY9L41
Батарея, що використовується	Літій-іонна батарея	
Напруга батареї	14,4 В постійного струму (3,6 В Ч 4 елементів)	
Ємність	3 Ампер-година	3,3 Ампер-година

ЗАРЯДНИЙ ПРИСТРІЙ

Модель	EY0L80
Технічні параметри	Див. таблицю з електричними параметрами на нижній поверхні зарядного пристрою.
Вага	0,95 кг (2,1 фунта)

[Літій-іонний батарейний блок]

Час зарядки	3 Ампер-година	14,4 В	21,6 В	28,8 В
		EY9L40	EY9L60	EY9L80
		Придатний для використання: 35 хв.	Придатний для використання: 45 хв.	Придатний для використання: 55 хв.
		Повний: 50 хв.	Повний: 60 хв.	Повний: 70 хв.
Час зарядки	3,3 Ампер-година	14,4 В		
		EY9L41		
		Придатний для використання: 45 хв.		
		Повний: 60 хв.		

[Нікель-металогібридний/нікель-кадмієвий батарейний блок]

Час зарядки		7,2 В	9,6 В	12 В	15,6 В	18 В	24 В
	1,2 Ампер-година	EY9065 EY9066	EY9080 EY9086	EY9001 EY9006			
		20 хв.					
	1,7 Ампер-година		EY9180 EY9182	EY9101 EY9103			
		25 хв.					
	2 Ампер-година	EY9168	EY9188	EY9106 EY9107 EY9108	EY9136		EY9116 EY9117
	30 хв.					60 хв.	
3 Ампер-година			EY9200 EY9230			EY9210	
	45 хв.					90 хв.	
3,5 Ампер-година			EY9201 EY9231	EY9251			
	55 хв.			65 хв.			

ПРИМІТКА: Дана таблиця може містити моделі, що відсутні у Вашому регіоні.
Будь ласка, зверніться до найостаннішого загального каталогу.

ПРИМІТКА: Назва та адреса дилера наведені у гарантійній картці, що додається.

Panasonic Electric Works Co., Ltd.

1048, Kadoma, Osaka 571-8686, Japan

<http://panasonic.net>

EN. GR. FR. IT. ND. ES. DN. SW. NR. FN. RUS. Uk
EY971045412 H2102

Printed in China